

Series image - Reference only

EU RoHS	China RoHS
ELV and RoHS Compliant	

### Search Parts in this Series

[19003 Series](#)

### Application Tooling

#### Global

#### Description

Crimp Head for the AT-200 Pneumatic Hand Tool  
Hand Crimp Tool

#### Product #

[0640055200](#)  
[0640015200](#)

**Part Number:** **0190030071**

**Status:** **Active**

**Description:** InsulKrimp™ Quick Disconnect, Female, for 24-26 (0.20-0.12), Box, Tab 6.35mm (.250") x 0.81mm (.032")

#### Documents:

- [Drawing \(PDF\)](#)
- [Product Specification PS-19902-008 \(PDF\)](#)
- [Related Catalog Page \(PDF\)](#)

#### Order Products:

- [Check Distributor Inventory](#)
- [Request Samples](#)

o

**Part Detail: (show all)**

o **General**

o **Physical**

o **Electrical**

o **Material Info**

o **Reference - Drawing Numbers**

**General**

Product Family	Quick Disconnects
Series	<u>19003</u>
Comments	Funnel Entry
Product Name	InsulKrimp™
Type	Quick Disconnect

**Physical**

Barrel Type	Closed
Color - Resin	Natural
Gender	Female
Insulation	PVC
Lock to Mating Part	None
Material - Metal	Brass
Material - Resin	Nylon
Orientation	Straight
Packaging Type	Box
Polarized to Mating Part	No
Tab Thickness	0.81mm (.032")
Tab Width	6.35mm (.250")
Temperature Range - Operating	-65°C to +105°C
Wire Insulation Diameter	1.90mm (.075") max.
Wire Size AWG	24
Wire Size AWG	26
Wire Size mm <sup>2</sup>	0.12 - 0.20

**Electrical**

Voltage - Maximum	600V
-------------------	------

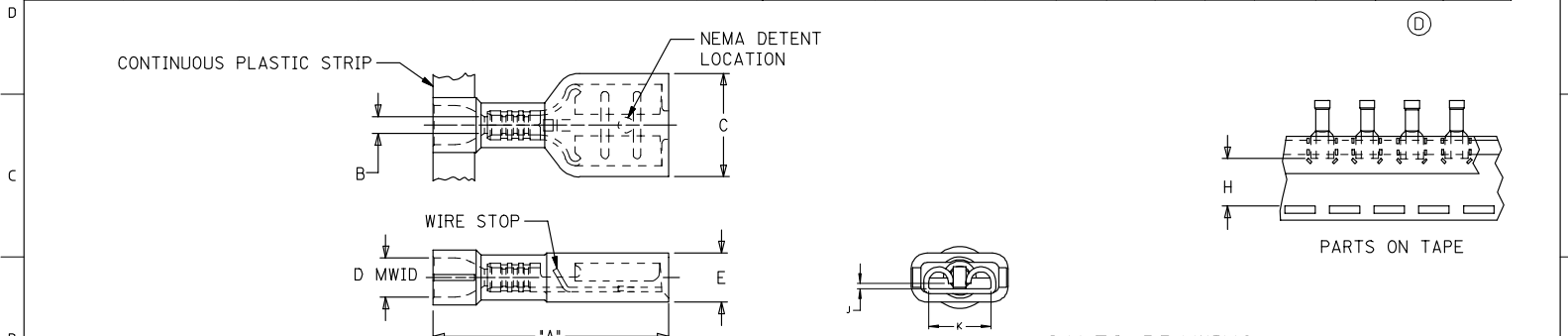
**Material Info**

Old Part Number	M-2212
-----------------	--------

**Reference - Drawing Numbers**

Product Specification	PS-19902-008
Sales Drawing	SD-19003-005

	10	9	8	7	6	5	4	3	2	1								
	LOOSE PIECE MATERIAL NUMBER	LOOSE PIECE ENGINEERING NUMBER	CONTINUOUS STRIP MATERIAL NUMBER	CONTINUOUS STRIP ENGINEERING NUMBER	MYLAR TAPE MATERIAL NUMBER	MYLAR TAPE ENGINEERING NUMBER	WIRE RANGE AWG	FITS MALE TAB SIZE	INSULATION COLOR	STOCK THICK.	"A" MAX.	"B" MIN.	"C" MAX.	"D" MWID	"E" MAX.	"H" ±.010	J ±.003	K ±.005
F	190030071	M-2212	190030106	M-2212C	190030073	M-2212T	26-24	.250x.032	YELLOW	.016	.86	.030	.380	.075	.180	.560	.025	.259
	190030064	M-2210	190030103	M-2210C	190030067	M-2210T	26-24	.187x.020	YELLOW	.016	.78	.030	.316	.075	.160	.600	.017	.196
	190030068	M-2211	190030104	M-2211C	190030070	M-2211T	26-24	.187x.032	YELLOW	.016	.78	.030	.316	.075	.160	.600	.025	.196
	190030001	AA-2201	190030105	AA-2201C	190030003	AA-2201T	22-18	.250x.032	RED	.016	.86	.058	.380	.135	.180	.560	.025	.259
	190030036	AA-2213	190030109	AA-2213C	190030074	AA-2213T	22-18	.205x.020	RED	.016	.78	.058	.316	.135	.160	.600	.017	.214
	190030038	AA-2214	190030110	AA-2214C	190030075	AA-2214T	22-18	.205x.032	RED	.016	.78	.058	.316	.135	.160	.600	.025	.214
	190030011	AA-2202	190030107	AA-2202C	190030013	AA-2202T	22-18	.187x.020	RED	.016	.78	.058	.316	.135	.160	.600	.017	.196
	190030017	AA-2203	190030108	AA-2203C	190030020	AA-2203T	22-18	.187x.032	RED	.016	.78	.058	.316	.135	.160	.600	.025	.196
E	190030024	AA-2204	190030097	AA-2204C	190030026	AA-2204T	22-18	.110x.020	RED	.012	.78	.058	.230	.135	.150	.615	.017	.125
	190030030	AA-2205	190030098	AA-2205C	190030032	AA-2205T	22-18	.110x.032	RED	.012	.78	.058	.230	.135	.150	.615	.025	.125
	190030040	BB-2206	190030041	BB-2206C	190030042	BB-2206T	16-14	.250x.032	BLUE	.016	.86	.083	.380	.160	.180	.560	.025	.259
	190030062	BB-2215	190030085	BB-2215C	190030077	BB-2215T	16-14	.205x.020	BLUE	.016	.78	.083	.316	.160	.170	.600	.017	.214
	190030063	BB-2216	190030086	BB-2216C	190030078	BB-2216T	16-14	.205x.032	BLUE	.016	.78	.083	.316	.160	.170	.600	.025	.214
	190030050	BB-2207	190030051	BB-2207C	190030052	BB-2207T	16-14	.187x.020	BLUE	.016	.78	.083	.316	.160	.170	.600	.017	.196
	190030056	BB-2208	190030057	BB-2208C	190030058	BB-2208T	16-14	.187x.032	BLUE	.016	.78	.083	.316	.160	.170	.600	.025	.196
D	196060002	19606-0002	196060001	19606-0001	196060003	19606-0003	12-10	.250x.032	YELLOW	.018	1.03	.120	.380	.240	.220	.508	.025	.259



SALES DRAWING

1. MATERIAL: TERMINAL: BRASS  
 PLATING: ELECTRO-TIN  
 FERRULE: BRASS  
 PLATING: ELECTRO-TIN  
 INSULATION: NYLON 6/6 94V-2.  
 COLOR: SEE CHART

2. MWID = MAXIMUM WIRE INSULATION  
 DIAMETER

ADD ROW J&K EC NO: ETC2007-0213 DRAWN: ILOMASTRO 2006/12/01 CHKD: MACNEIL 2006/12/01 APPR: MACNEIL 2006/12/04 REV D	QUALITY SYMBOLS	GENERAL TOLERANCES (UNLESS SPECIFIED)	DIMENSION STYLE IN/MM	SCALE ---	DESIGN UNITS INCH	THIRD ANGLE PROJECTION
	▽=0	4 PLACES ± --- ± ---	DRAWN BY BRE	DATE 02/03/20	TITLE INSULKRIMP FEMALE FIQD STANDARD FLARE	
	∇=0	3 PLACES ± --- ± ---	CHECKED BY HEB	DATE 02/03/20	MOLEX INCORPORATED	
		2 PLACES ± --- ± ---	APPROVED BY RWD	DATE 02/03/20	DOCUMENT NO. SD-19003-005	STEEL NO. 1 OF 1
	1 PLACE ± --- ± ---	ANGULAR ± --- °	MATERIAL NO. SEE CHART	THIS DRAWING CONTAINS INFORMATION THAT IS PROPRIETARY TO MOLEX INCORPORATED AND SHOULD NOT BE USED WITHOUT WRITTEN PERMISSION		