

Positive Break	Metal bodies and actuator head	Independent Snap NC+NO	<u>83862201</u>
Positive Break	Metal bodies and actuator head	Dependent Action NC+NO	<u>83862211</u>

Rotary Head, Momentary Action with Lever and Plastic Roller 022
4 Positions - 90 degrees IP66

<u>Features</u>	<u>Housing</u>	<u>Action</u>	<u>Part Number</u>
022 Offset 43.5 Positive Break	Metal bodies and actuator head	Independent Snap NC+NO	<u>83862301</u>
022 Offset 43.5 Positive Break	Metal bodies and actuator head	Dependent Action NC+NO	<u>83862311</u>

Rotary Head, Momentary Action with Lever and Plastic Roller 019
4 Positions - 90 degrees IP66

<u>Features</u>	<u>Housing</u>	<u>Action</u>	<u>Part Number</u>
019 Offset 56 Positive Break	Metal bodies and actuator head	Independent Snap NC+NO	<u>83862302</u>
019 Offset 56 Positive Break	Metal bodies and actuator head	Dependent Action NC+NO	<u>83862312</u>

Rotary Head, Momentary Action with Lever and Plastic Roller 050
4 Positions - 90 degrees IP66

<u>Features</u>	<u>Housing</u>	<u>Action</u>	<u>Part Number</u>
050 Offset 50.5 Positive Break	Metal bodies and actuator head	Independent Snap NC+NO	<u>83862305</u>
022 Offset 50.5 Positive Break	Metal bodies and actuator head	Dependent Action NC+NO	<u>83862315</u>

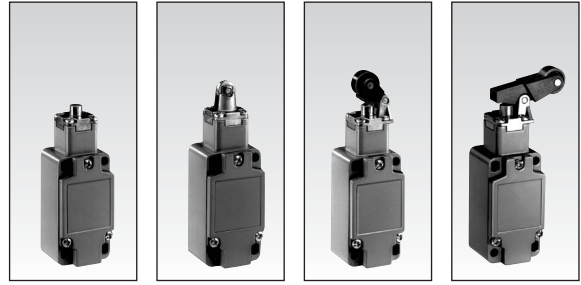
Rotary Head, Momentary Action with Lever and Plastic Roller 050
4 Positions - 90 degrees IP66

<u>Features</u>	<u>Housing</u>	<u>Action</u>	<u>Part Number</u>
050 Offset 53.5 Positive Break	Metal bodies and actuator head	Independent Snap NC+NO	<u>83862306</u>
050 Offset 53.5 Positive Break	Metal bodies and actuator head	Dependent Action NC+NO	<u>83862316</u>

Rotary Head, Momentary Action with Lever and Plastic Roller 022
4 Positions - 90 degrees IP66

<u>Features</u>	<u>Housing</u>	<u>Action</u>	<u>Part Number</u>
022 Offset 36 or 48 Positive Break	Metal bodies and actuator head	Independent Snap NC+NO	<u>83862303</u>
022 Offset 36 or 48 Positive Break	Metal bodies and actuator head	Dependent Action NC+NO	<u>83862313</u>

Industrial Limit Switches Series 83 862 EN 50041

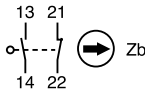


Conform to the following standards :
 EN 50041, IEC 947-5-1, VDE 0660/200
 UL 508, CSA C22.2 No.14
 IEC 536-1, EN 60204-1, NFC 20030
 class I

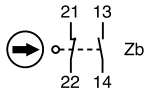
Degree of protection : IP 66

Function : Four-terminal double break contact element (form Zb) with positive opening NC contacts.
 The two moving contacts are electrically isolated from one another.

Principle :
 Independent snap action contact
 1 NO + 1 NC



Dependent action
 1 NO + 1 NC



Break before make

Electrical characteristics :

Assigned insulation voltage (Ui) : 500 V
 Thermal rating (Ith) : 10 A
 Use category : A300 - Q300
 AC15 = 6A/250 V - 1.9 A / 380 V
 DC 13 = 3A/24 V

Short circuit test (under IEC 947.5.1 § 8.3.4)
 - Current peak 1000 A
 at 250 V-0.5 < cos φ < 0.7
 - Short circuit protection (SCPD) : fuse 10 A gF
 - Electrical protection by internal earth terminal

Connections :
 Saddle washer and M 3.5 screw
 Max. wire cross-section : 2 x 1.5 mm² or 2.5 mm²

Connection :
 1/2" NPT

Approvals :
 UL listed A300 - Q300 - CSA A300 - Q300

Types

	83 862 011	83 862 511	83 862 111	83 862 211
Dependent action NC + NO				
Independent snap action NC + NO	83 862 001	83 862 501	83 862 101	83 862 201
Control mechanisms - adjustable actuator heads 4 positions 90°	•	•	•	•
Steel plunger	•			
Plunger with steel roller		•		
Lever with vertical plastic roller			•	
Lever with lateral plastic roller				•

Rotary head, momentary action to clockwise and/or anti-clockwise (1)

	83 862 011	83 862 511	83 862 111	83 862 211
Ø 22 offset 43.5				
With lever and plastic roller				
Ø 19 offset 56				
Ø 50 offset 50.5				
Ø 50 offset 57				
With adjustable lever and plastic roller				
Ø 22 offset 36 or 48				
Ø 50 offset 49				
adjustable offset 57 to 73				
With adjustable polyamide rod actuator				
Flexible metal lever				
Independent snap action				

Sequence

	83 862 011	83 862 511	83 862 111	83 862 211
Dependent action				
Positive break operation	→	→	→	→

Mechanical characteristics

Minimum operating force	N (oz.)	10 (35.5)	10 (35.5)	9 (31.7)	9 (31.7)
Minimum total travel force	N (oz.)	12 (42.3)	12 (42.3)	10 (35.3)	10 (35.3)
Minimum positive opening travel	N (oz.)	25 (88.2)	25 (88.2)	20 (70.5)	20 (70.5)
Minimum operating travel	mm (in.)	5 (.2)	5 (.2)	5 (.2)	5 (.2)
Minimum positive opening travel	mm (in.)	6 (.24)	6 (.24)	6.5 (.26)	6.5 (.26)
Differential travel	mm (in.)	1.5 (.06)	1.5 (.06)	1.5 (.06)	1.5 (.06)
Max. total travel	mm (in.)	6 (.24)	6 (.24)	6 (.24)	6 (.24)
Mechanical life (millions of operations) mini.		15	15	15	15
Temperature Use	°C (°F)	-25+80(-13+176)	-25+80(-13+176)	-25+80(-13+176)	-25+80(-13+176)
limits Stored	°C (°F)	-40+80(-40+176)	-40+80(-40+176)	-40+80(-40+176)	-40+80(-40+176)
Degree of protection		IP 66	IP 66	IP 66	IP 66
Weight	g (oz.)	305 (10.76)	315 (11.11)	320 (11.28)	325 (11.46)

(1) Action either right or left according to position of head

Accessories

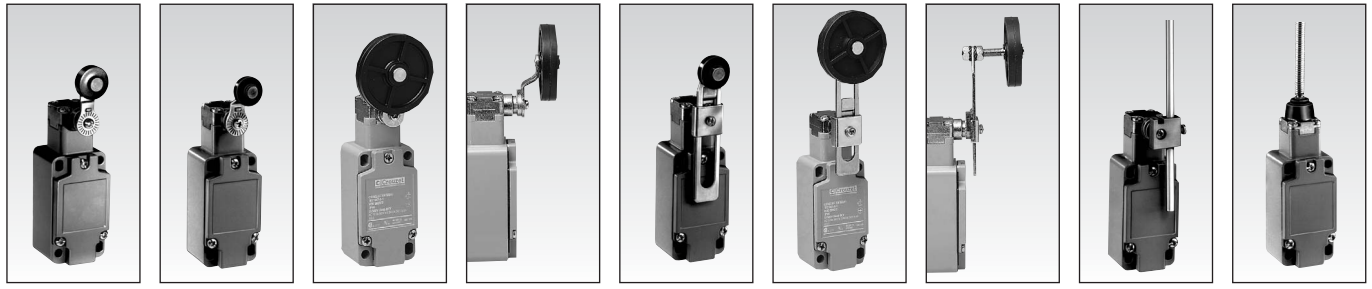
Cover with status indicator (supplied loose)	24.30 V ~	79 250 290
	220 V ~	79 250 291

Replacement contact block

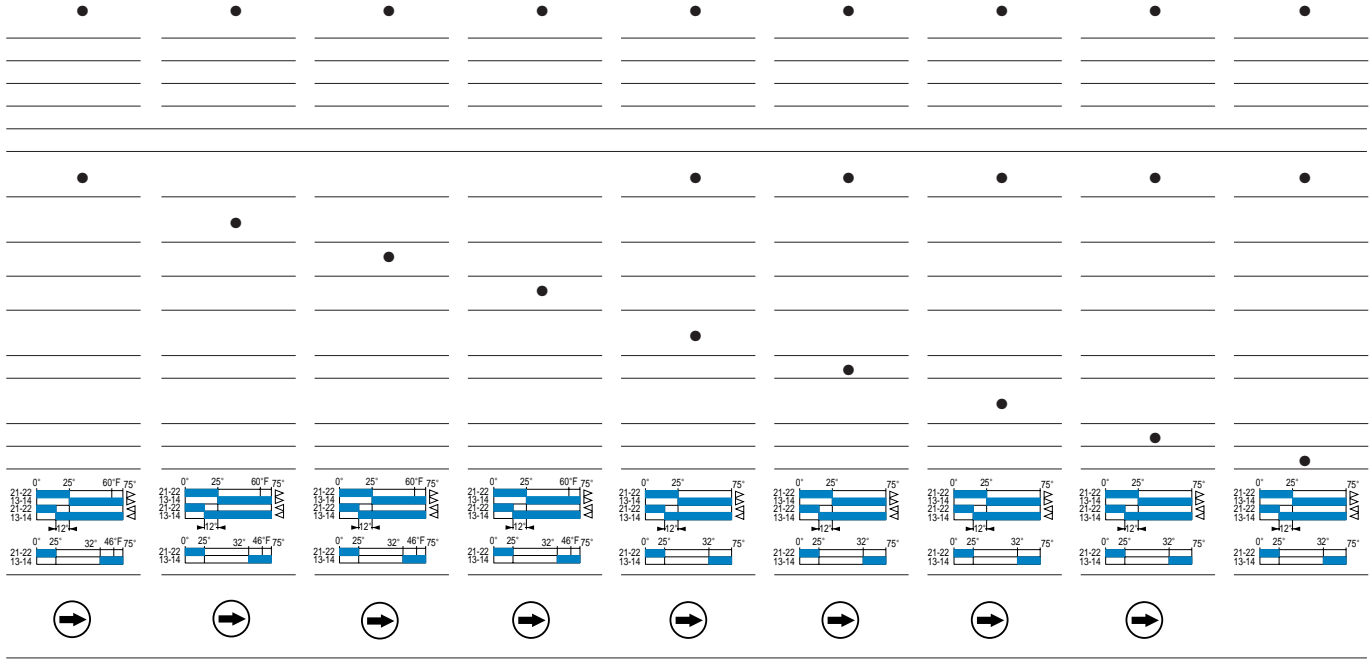
Part number	Configuration	Function
83157401	SPDT	<STD>
83157402	SPDT	Break before make
83157403	SPDT	Make before break
83157404	2 NO	DPST - Normally open
83157405	2 NC	DPST - Normally closed

Other information

For other contact types and accessories or special modes of operation : please consult us.
 For dimensions see page 3/39.



83 862 311 83 862 301	83 862 312 83 862 302	83 862 315 83 862 305	83 862 316 83 862 306	83 862 313 83 862 303	83 862 317 83 862 307	83 862 318 83 862 308	83 862 314 83 862 304	83 862 611 83 862 601
--	--	--	--	--	--	--	--	--



28cmN (40inoz)	28cmN (40inoz)	28cmN (40inoz)	28cmN (40inoz)	28cmN (40inoz)	28cmN (40inoz)	28cmN (40inoz)	28cmN (40inoz)	3 (10.5)
37cmN (52inoz)	37cmN (52inoz)	37cmN (52inoz)	37cmN (52inoz)	37cmN (52inoz)	37cmN (52inoz)	37cmN (52inoz)	37cmN (52inoz)	4.5 (15.8)
75cmN (106inoz)	75cmN (106inoz)	75cmN (106inoz)	75cmN (106inoz)	75cmN (106inoz)	75cmN (106inoz)	75cmN (106inoz)	75cmN (106inoz)	
30°	30°	30°	30°	30°	30°	30°	30°	30°
60°	60°	60°	60°	60°	60°	60°	60°	
20°	20°	20°	20°	20°	20°	20°	20°	20°
75°	75°	75°	75°	75°	75°	75°	75°	75°
15	15	15	15	15	15	15	15	15
$-25+80(-13+176)$	$-25+80(-13+176)$	$-25+80(-13+176)$	$-25+80(-13+176)$	$-25+80(-13+176)$	$-25+80(-13+176)$	$-25+80(-13+176)$	$-25+80(-13+176)$	$-25+80(-13+176)$
$-40+80(-40+176)$	$-40+80(-40+176)$	$-40+80(-40+176)$	$-40+80(-40+176)$	$-40+80(-40+176)$	$-40+80(-40+176)$	$-40+80(-40+176)$	$-40+80(-40+176)$	$-40+80(-40+176)$
IP 66	IP 66	IP 66	IP 66	IP 66	IP 66	IP 66	IP 66	IP 66
340 (12)	340 (12)	340 (12)	340 (12)	365 (12.8)	365 (12.8)	365 (12.8)	360 (12.7)	335 (11.8)

1

3

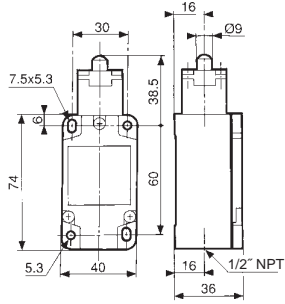
2

To order, specify :

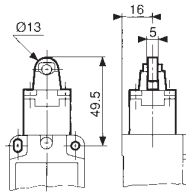
Standard products	1 Part number Example : Limit switch 83 860 001
Standard products, non stocked	1 Type 2 Accessory Example : Limit switch 83 861 001 - Cover with status indicator 79 250 290

Dimensions of 83 862 EN 50041

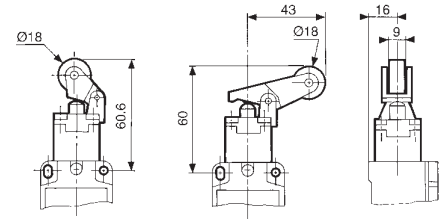
83 862 001/011



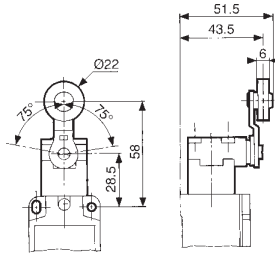
83 862 501/511



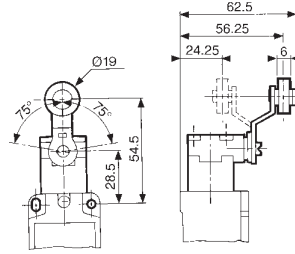
83 862 101/111 – 201/211



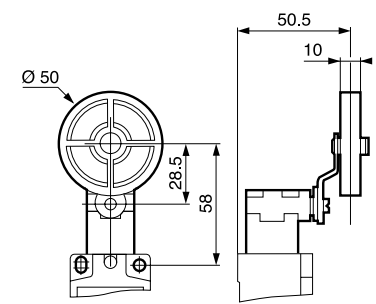
83 862 301/311



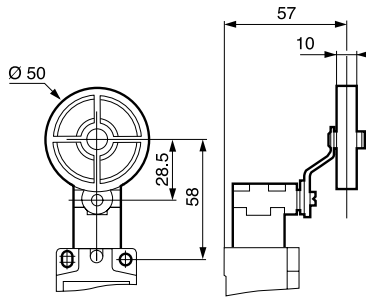
83 862 302/312



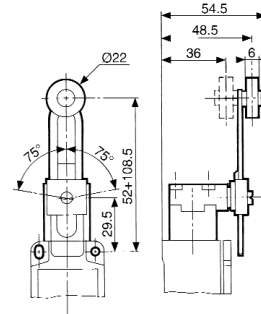
83 862 305/315



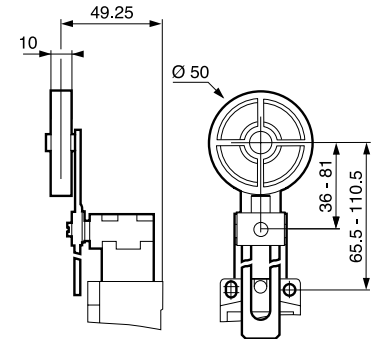
83 862 306/316



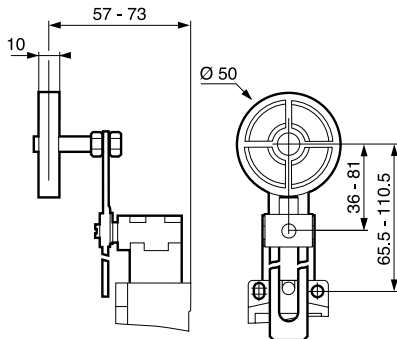
83 862 303/313



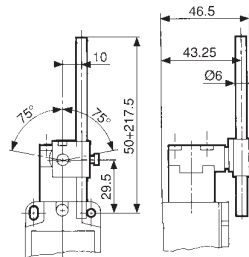
83 862 307/317



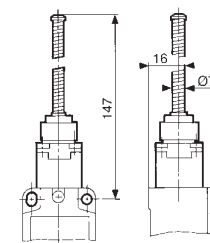
83 862 308/318



83 862 304/314



83 862 601/611



mm