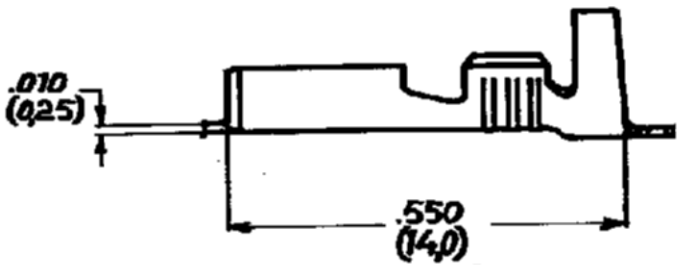
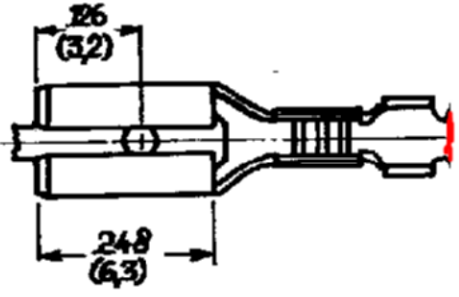
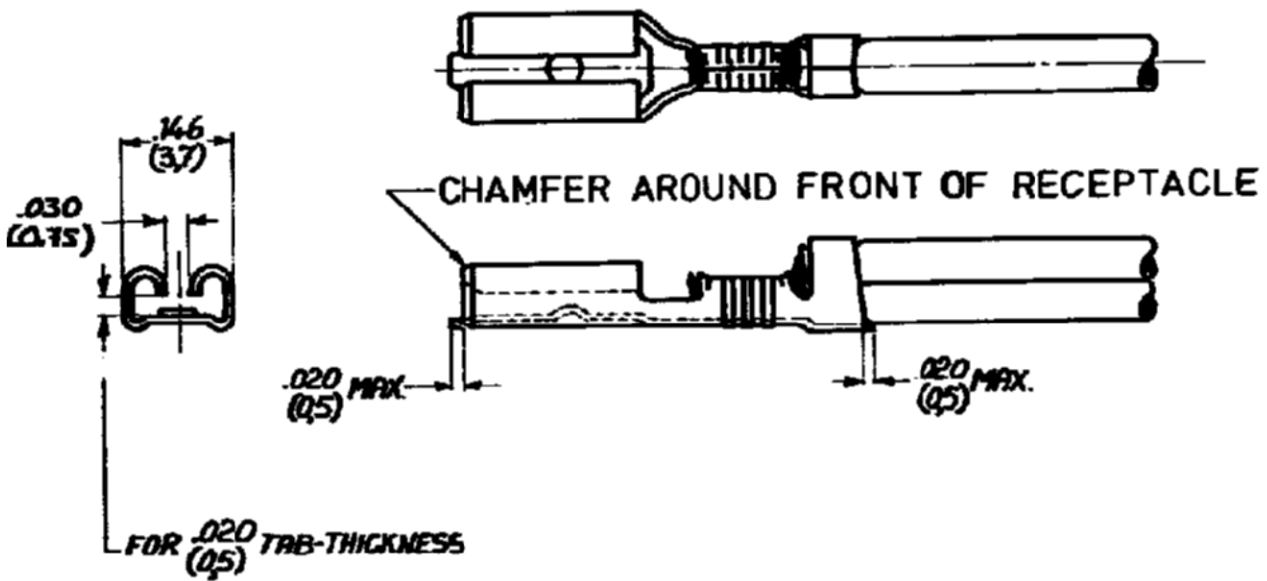


DRAWING MADE IN AMERICAN PROJECTION

REVISIONS				
LTR	DESCRIPTION	DATE	DWN	APVD
A1	ECO-09-022178	24SEP09	KK	AEG

NUMBER C-160625



1-160625-0	PHOS. BRONZE	△
160625-9	PHOSPHOR BRONZE	PRE-TIN
160625-5	PHOS. BRONZE	TIN
160625-4	PHOS. BRONZE	---
160625-3	BRASS	SILVER
160625-2	BRASS	TIN
160625-1/2	BRASS	---
ORDER NO.	MATERIAL	PLATING

△ BRIGHT PRE-TIN PLATED  
 △ OBSOLETE PARTS: OBSOLETE CIS STREAMLINING PER D.RENAUD/D.SINISI

**CUSTOMER COPY FOR REFERENCE ONLY**

©1979 BY AMP-HOLLAND N.V. ALL RIGHTS RESERVED A-MP PRODUCTS COVERED BY PATENTS AND/OR PATENTS PENDING.



AMP-HOLLAND N.V.  
 's-HERTOGENBOSCH  
 HOLLAND

WIRE RANGE 05-10 MAX 2	INSUL. RANGE 080-120 DIA (3.9-4.8)	FIRST USED
SCALE 4 ≈ 1	LOC H	SIZE A
NO C-160625		REV A1

NAME 110 Ser. FASTON RECEPTACLE 1.P.

DIMENSIONS IN (MM) DO NOT SCALE PRINT

DR. DATE 1-79	DATE
CHK. DATE 20/1/79	DATE 2-2-84