

4

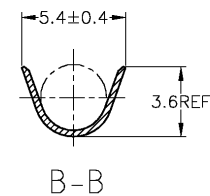
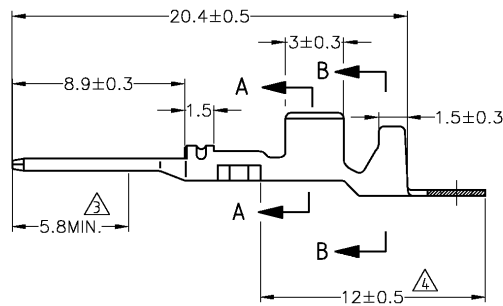
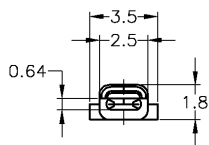
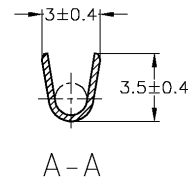
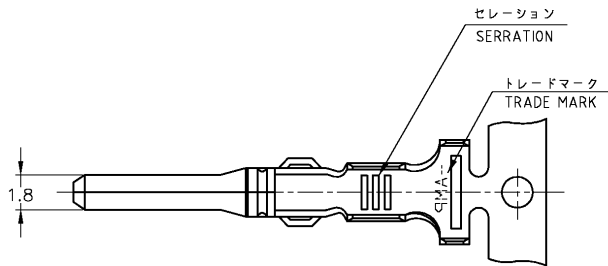
3

2

1

THIS DRAWING IS UNPUBLISHED. RELEASED FOR PUBLICATION  
 © COPYRIGHT BY TYCO ELECTRONICS CORPORATION. ALL RIGHTS RESERVED.

LOC	DIST	REVISIONS			
P	LTR	DESCRIPTION	DATE	DWN	APVD
E1		REVISED	FJAO-0513-03	04SEP03	TS KB



- 1. 嵌合相手端子型番: 171662
- 2. パラ状端子型番: 173706

- 1. RECEPTACLE CONTACT PN: 171662
- 2. L/P CONTACT PN: 173706

FINISH	MATERIAL	ITEM No.
SELECTIVE GOLD 部分金めっき	BRASS 14.32 黄銅 板厚0.32	171661-5
SELECTIVE TIN 部分錫めっき	BRASS 14.32 黄銅 板厚0.32	171661-2
PRE-TIN (0.76μm MIN) 薄めっき	BRASS 14.32 黄銅 板厚0.32	171661-1

WIRE RANGE 0.5-1.25mm<sup>2</sup> (AWG #28-#16)  
 INSULATION DIA 2-2.6

THIS DRAWING IS A CONTROLLED DOCUMENT.

DIMENSIONS: 単位: 寸	TOLERANCES UNLESS OTHERWISE SPECIFIED: 一般公差	DWN T. SHINOHARA 27JUN01	Tyco Electronics AMP K.K. Kawasaki, Japan
0 PLC ±	1 PLC ±	CHK K. BETSUI 27JUN01	
2 PLC ±	3 PLC ±	APVD K. BETSUI 27JUN01	NAME 名
4 PLC ±	ANGLES ±	PRODUCT SPEC 製品規格	ECONOSEAL J-MARKII CONNECTOR TAB CONTACT
		APPLICATION SPEC 取付適用規格	
MATERIAL 材料	FINISH 仕上	SIZE A3	CAGE CODE 00779
SEE TABLE 表参照	SEE TABLE 表参照	DRAWING NO. 171661	RESTRICTED TO
		WEIGHT 0.35 g	
		CUSTOMER DRAWING	SCALE 尺度 5:1

一般公差 (GENERAL TOLERANCE)

寸法	公差
10.00	±0.2
10.00	±0.25
10.00	±0.3
寸法	公差
10.00	±0.3