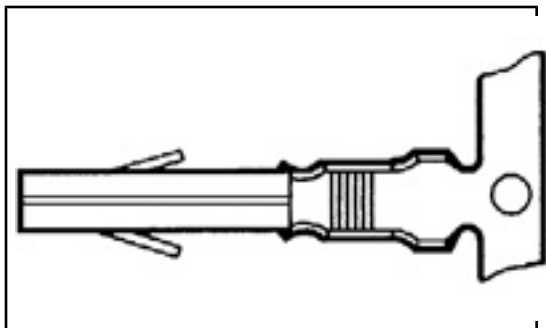


## 350550-3 Product Details

---



**350550-3**

TE Internal Number: 350550-3

 [Active](#)

**.250" Centerline, 600 V, 19 - 36 A  
max**

 [Always EU RoHS/ELV Compliant \(Statement of Compliance\)](#)

### Product Highlights:

- Contact
- Universal MATE-N-LOK
- Not CompactPCI
- Contact Type = Socket
- Wire Range = 0.50-2.00<sup>2</sup> [20-14] mm [AWG]

[View all Features](#)

## Documentation & Additional Information

### Product Drawings:

- [SOCKET, \(LOOSE PIECE\) UNIVERSAL MATE-N-LOK](#) (PDF, English)

### Catalog Pages/Data Sheets:

- [REPRESENTATIVE TERMINALS AND CONNECTORS](#) (PDF, English)
- [AMP SEALED CONNECTORS](#) (PDF, English)
- [SOFT SHELL PIN SOCKET CONNECTORS STANDARD DENSITY](#) (PDF, English)

### Product Specifications:

- None Available

### Application Specifications:

- [Universal MATE-N-LOK Connectors](#) (PDF, English)

### Instruction Sheets:

- [MATE-N-LOK Contact and Housing Selection Charts](#) (PDF, English)
- [Application and Maintenance for Hand Crimping Tool](#) (PDF, English)

### CAD Files: ([CAD Format & Compression Information](#))

- [2D Drawing](#) (DXF, Version R)
- [3D Model](#) (IGES, Version R)
- [3D Model](#) (STEP, Version R)

[List all Documents](#)

### Additional Information:

- [Product Line Information](#)

### Related Products:

- [Tooling](#)
- [Housings \(341\)](#)

## Product Features (Please use the Product Drawing for all design activity)

### Product Type Features:

- Product Type = Contact
- Connector Line = Universal MATE-N-LOK
- Insulation Diameter (mm [in]) = 1.52-3.30 [.060-.130]
- Comment = Contacts can be used with Splash Proof Seals.

### Electrical Characteristics:

- High Current = No
- Current Rating (Amps.) = 19
- Voltage (VAC) = 600

### Termination Related Features:

- Solder Tail Contact Plating = Pre-Tin

### Body Related Features:

- Wire Range (mm [AWG]) = 0.50-2.00<sup>2</sup> [20-14]
- Contact Diameter (mm [in]) = 2.13 [0.084]
- Stock Thickness (mm [in]) = 0.30 [0.012]

### Contact Related Features:

- CompactPCI = No
- Contact Type = Socket
- Contact Base Material = Phosphor Bronze
- Sealable = Yes

### Industry Standards:

- [RoHS/ELV Compliance](#) = RoHS compliant, ELV compliant
- [Lead Free Solder Processes](#) = Not relevant for lead free process
- RoHS/ELV Compliance History = Always was RoHS compliant

### Packaging Related Features:

- Packaging Method = Loose Piece

### Other:

- Brand = AMP