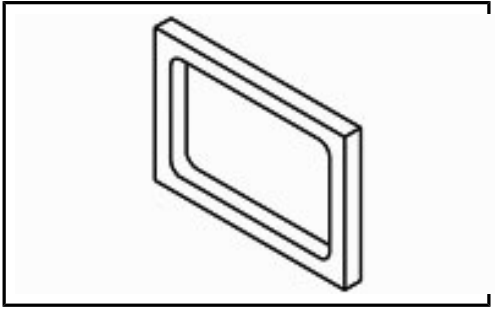




# 794772-6 Product Details



794772-6



**.163" Centerline, 600 V, 9.5 A max.**



[Always EU RoHS/ELV Compliant \(Statement of Compliance\)](#)

#### Product Highlights:

- Interface Seal
- Mini-Universal MATE-N-LOK Sealed
- Number of Circuits = 6

[View all Features](#) | [Find Similar Products](#)

**NEW!**

## Documentation & Additional Information

### Product Drawings:

- [PERIMETER INTERFACE SEAL, MINI UNIVERSAL MATE-N-LOK\(TM\)](#) (PDF, English)

### Catalog Pages/Data Sheets:

- [SOFT SHELL PIN AND SOCKET CONNECTORS](#) (PDF, English)

### Product Specifications:

- None Available

### Application Specifications:

- [Mini-Universal MATE-N-LOK Splash-Proof Sealed Connectors](#) (PDF, English)

### Instruction Sheets:

- None Available

### CAD Files:

- None Available

### Additional Information:

- [Product Line Information](#)

### Related Products:

- [Tooling](#)

[List all Documents](#)

**Product Features (Please use the Product Drawing for all design activity)**

**Product Type Features:**

- Product Type = Interface Seal
- Connector Line = Mini-Universal MATE-N-LOK Sealed
- Number of Circuits = 6
- Material = Urethane Foam

**Industry Standards:**

- [RoHS/ELV Compliance](#) = RoHS compliant, ELV compliant
- [Lead Free Solder Processes](#) = Not relevant for lead free process
- RoHS/ELV Compliance History = Always was RoHS compliant

**Other:**

- Brand = AMP