

REV. 10/78

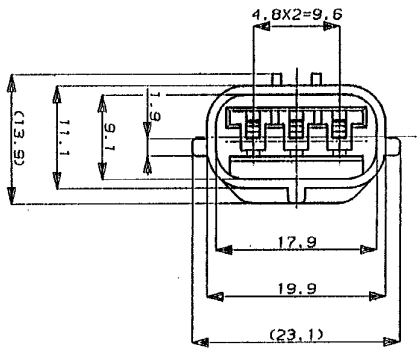
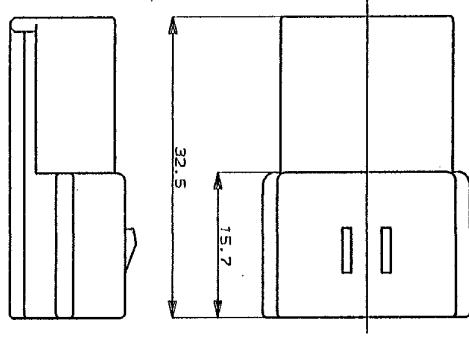
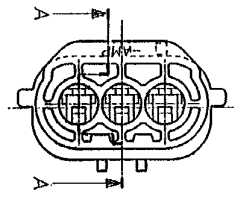
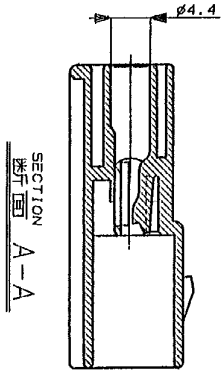
PRINT DIST

DIMENSIONS IN MILLIMETERS. DO NOT SCALE PRINT

METRIC



NUMBER C-174359



注：  
 1 かん合相準規番：174357,173091  
 2 本品はダブルロックプレート P/N 174360を装着して使用する

NOTE：  
 1 FOR PLUG HOUSING (P/N174357,173091)  
 2 THIS PART MUST BE USED WITH DOUBLE LOCK PLATE (P/N174360)

| LTR | REVISION RECORD | DR | CHK | DATE |
|-----|-----------------|----|-----|------|
| B   | 変更<br>REVISED   |    |     |      |
| A   | 変更<br>REVISED   |    |     |      |
| 0   | 作成<br>RELEASED  |    |     |      |

|             |                |                                  |
|-------------|----------------|----------------------------------|
| WTR-RANGE   | INSULATION DIA | NAME                             |
| MR. K. OAKI | MR. K. OAKI    | SP. ECONOSEAL J-HARKIT CONNECTOR |
| MR. K. OAKI | MR. K. OAKI    | AMP (JAPAN), LTD.                |
| MR. K. OAKI | MR. K. OAKI    | Tokyo, Japan                     |

|  |       |      |        |
|--|-------|------|--------|
| GENERAL TOLERANCE  | SCALE | REV. | SHEET  |
| 0-4k 10 : 40.2<br>10-4k 30 : 50.25<br>10-4k 50 : 60.25<br>ANGLES : 33° | A3 J  | B    | 1 OF 1 |



AMP (JAPAN), LTD.  
Tokyo, Japan

CUSTOMER DRAWING

4 3 2 1