

4

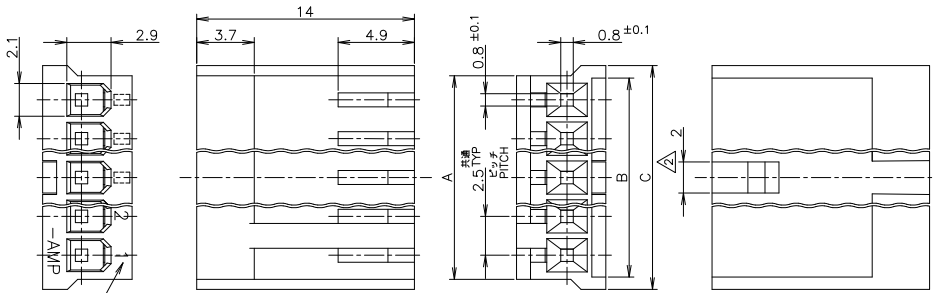
3

2

1

THIS DRAWING IS UNPUBLISHED. RELEASED FOR PUBLICATION JUN. 1997.  
 © COPYRIGHT 1997 BY TYCO ELECTRONICS CORPORATION. ALL RIGHTS RESERVED.

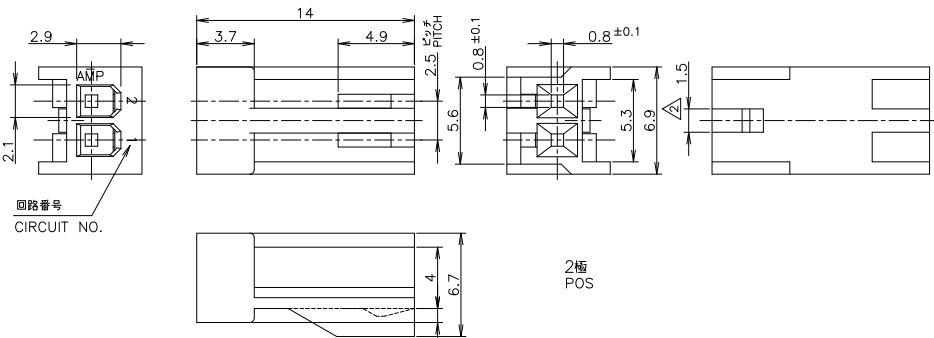
LOC		DIST		REVISIONS			
P	LTR	DESCRIPTION		DATE	DWN	APVD	
L		REVISED	ECR-07-026048	31OCT07	T.T	T.F	



回路番号  
CIRCUIT NO.



3~12極  
POS



回路番号  
CIRCUIT NO.

2極  
POS

- 1 使用するコンタクトは 170262 又は 170263.  
 ⚠ ロッキング凸部位置は長手方向の中央。
- 1 CONTACTS, 170262 & 170263 ARE USED.  
 ⚠ LOCKING PROTRUSION IS PLACED ON THE CENTER OF HOUSING.

31.9	30.3	30.6	12		9-171822-2	7-171822-2
26.9	25.3	25.6	10		9-	7-
24.4	22.8	23.1	9		8-	6-
21.9	20.3	20.6	8		8-	6-
19.4	17.8	18.1	7		8-	6-
16.9	15.3	15.6	6		8-	6-
14.4	12.8	13.1	5		8-	6-
11.9	10.3	10.6	4		8-	6-
9.4	7.8	8.1	3		8-	6-
-図示-				SHOWN	2	8-171822-2
				極数 (POS)	赤色 (RED)	緑色 (GREEN)
型番 (PART NUMBER)						
C	B	A	極数 (POS)		4-171822-2	1-171822-2
31.9	30.3	30.6	12	5-	0-	1-
26.9	25.3	25.6	10	5-	0-	0-
24.4	22.8	23.1	9	4-	9-	9-
21.9	20.3	20.6	8	4-	8-	8-
19.4	17.8	18.1	7	4-	7-	7-
16.9	15.3	15.6	6	4-	6-	6-
14.4	12.8	13.1	5	4-	5-	5-
11.9	10.3	10.6	4	4-	4-	4-
9.4	7.8	8.1	3	4-	3-	3-
-図示-				SHOWN	2	4-171822-2
				極数 (POS)	青色 (BLUE)	黒色 (BLACK)
						自然色 (NATURAL)
型番 (PART NUMBER)						
C	B	A	極数 (POS)		4-171822-2	171822-2

AMP 1470-19 REV 31MAR2000

THIS DRAWING IS A CONTROLLED DOCUMENT.

DIMENSIONS: 単位: 純 mm

TOLERANCES UNLESS OTHERWISE SPECIFIED: 公差

0 PLC	±
1 PLC	±
2 PLC	±
3 PLC	±
4 PLC	±
ANGLES	±

FINISH 仕上

MATERIAL 材料 66 NYLON (UL94-0)

GENERAL TOLERANCE 一般公差

10 ≥ : ±0.2

30 ≥ > 10: ±0.25

100 ≥ > 30: ±0.3

ANGLES: ±3°

DWN H.HOSHINO 12JUN97

CHK J.TANIGAWA 12JUN97

APVD S.KUBOUCHI 03OCT97

NAME 名称 Tyco Electronics Tyco Electronics Corporation Kawasaki, Japan

PRODUCT SPEC 製品規格 108-5118

APPLICATION SPEC 取付適用規格

WEIGHT

SIZE A3 CAGE CODE 00779 DRAWING NO. 番号 171822 RESTRICTED TO

CUSTOMER DRAWING SCALE 尺度 4:1 SHEET 1 OF 1 REV L