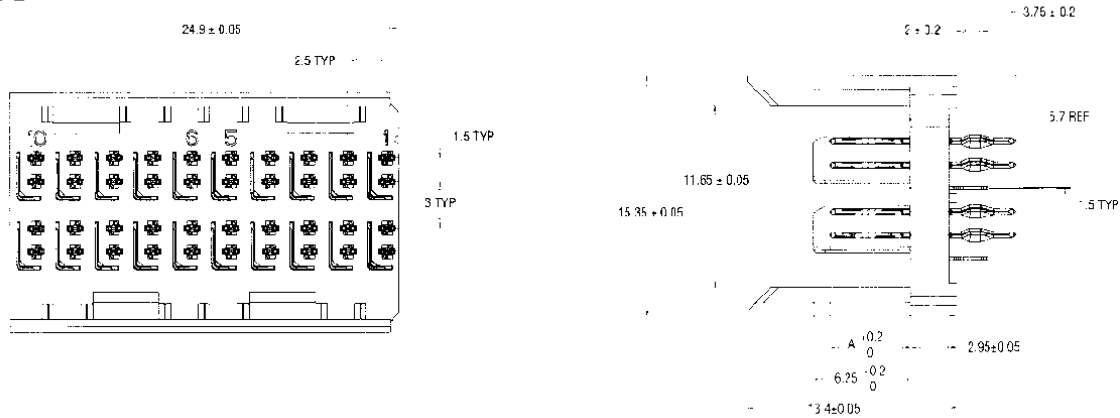


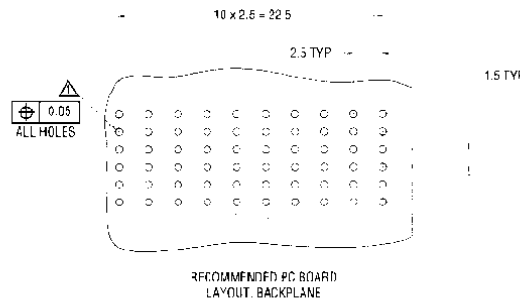
**20 Pair Header Assembly**

Part Number	PIN Length
1469025-1	5.20
1469025-2	3.70



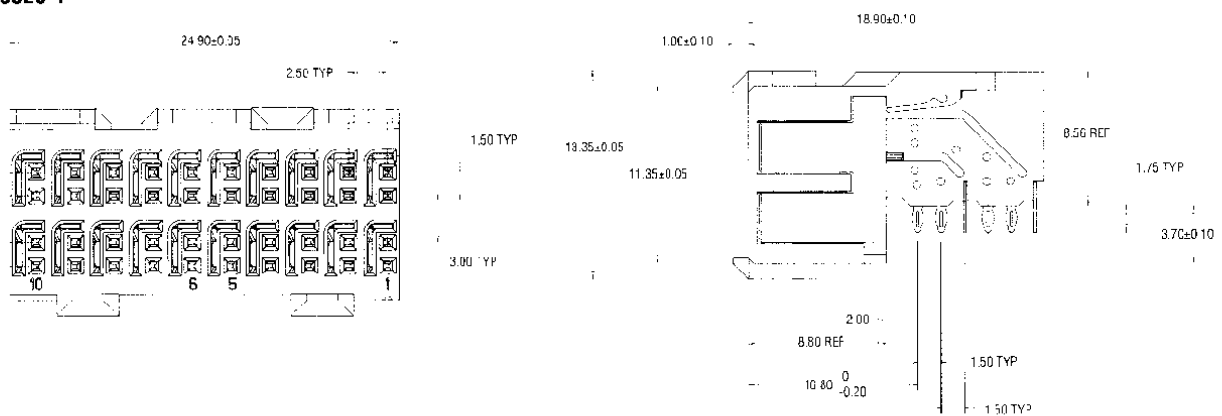
**20 Pair Header Insertion Tool**

Part Number  
**91348-1**



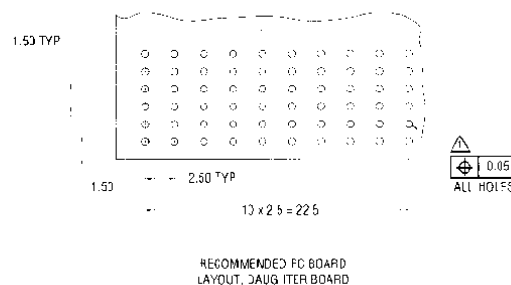
**20 Pair Receptacle Assembly**

Part Number  
**1469028-1**



**20 Pair Receptacle Insertion Tool**

Part Number  
**91350-1**



PCB HOLE DIM:  
DRILLED HOLE =  $0.700 \pm 0.025$ mm  
FINISHED HOLE =  $0.60 \pm 0.05$ mm  
Cu-THICKNESS =  $0.375 \pm 0.0125$ mm  
SnPb THICKNESS =  $0.007 \pm 0.003$ mm