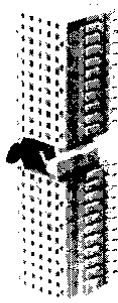


Z-PACK 2mm HM Connectors (Continued)

Vertical Female Connectors, 5 Row, Types A, B, and C



Vertical Female Connectors

Types A, B and C mate with respective right angle and vertical male connectors shown on pages 211 and 220.

Type A has 110 contacts and center keying and guiding. Type B has 125 contacts and Type C has 55 contacts with guiding feature. All are stackable without change in contact pitch according to the chart on page 210.

Limited other contact patterns are available; see page 243.

Electrical Characteristics — page 208.

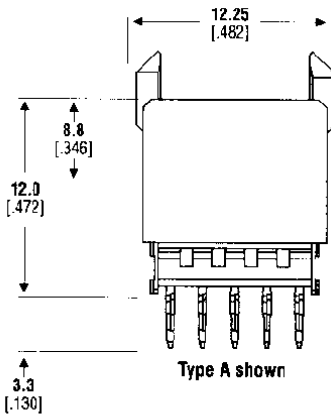
Materials and Finish

Glass filled polyester housing.
Phosphor-bronze signal contacts
Contact area 0.8µm Au over 1.3µm Ni
ACTION PIN contact 0.5µm Sn/Pb over 1.3 µm Ni.

Coding keys for type A page 243.

Board layout page 258 for guidance only.

Tooling — page 354.



Part Numbers	
Type A (without locating peg)	106773-1
Type A (with locating peg)	352457-1
Type B	106774-1
Type B 22 col	352258-1
Type B 19 col	352259-1
Type C	106775-1

