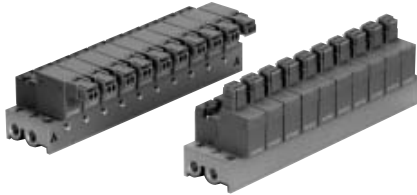


# Manifold Specifications



## Manifold Specifications

Model		Type 30 <sup>(3)</sup>	Type 31	Type S41
Manifold		Single base/B mount		
P(SUP)/R(EXH)		Common SUP/Common EXH		
Valve stations		2 to 10 stations	2 to 20 stations	
A port porting specifications	Position	Valve		Base
	Direction	Top		Side
Port size	P, R ports	M5 x 0.8		
	A port	M3 x 0.5	M3 x 0.5, M5 x 0.8	



Note 1) SY114(A) and SY124(A) can not be mounted on the same manifold.

Note 2) Supply to R port and exhaust from P port for SY124(A).

Note 3) 30 Type is applicable only for SY113 and SY113A. Piping to exhaust port is not possible.

## Flow Characteristics

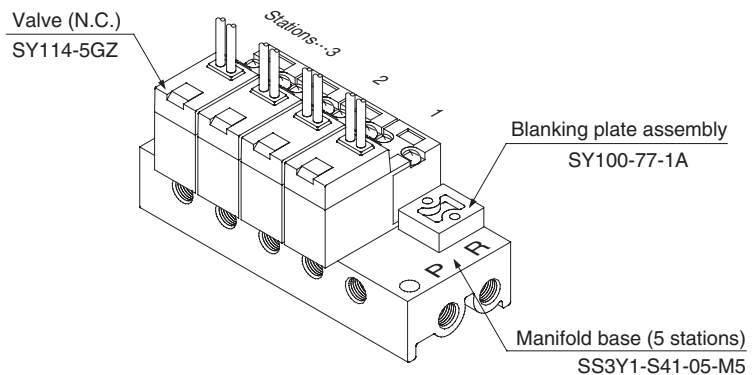
Manifold		Port size		Effective area (mm <sup>2</sup> )
		1(P), 3(R) port	2(A) port	
SS3Y1-30	SY1□3	M5 x 0.8	M3 x 0.5	0.14
	SY1□3(A)			0.21
SS3Y1-31	SY1□3	M5 x 0.8	M3 x 0.5	0.14
	SY1□3(A)			0.21
SS3Y1-S41	SY1□4	M5 x 0.8	M3 x 0.5	0.14
	SY1□4(A)			0.21
	SY1□4	M5 x 0.8	M5 x 0.8	0.14
	SY1□4(A)			0.21



Note) Value at manifold base mounted

## How to Order Valve Manifold Assembly

### Example



SS3Y1-S41-05-M5..... 1 set (Type S41, 5 station manifold part number)

\* SY100-77-1A..... 1 set (Blanking plate assembly part number)

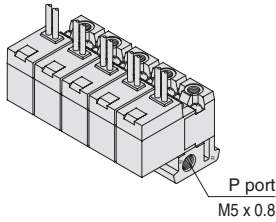
\* SY114-5GZ..... 4 sets (Valve)

→The asterisk denotes the symbol for assembly. Prefix it to the part nos. of the solenoid valve, etc.

List part numbers of the installed valve and option in required station location separately under manifold part no.

## Common SUP/Common EXH

### Type 30



How to Order

**SS3Y1 - 30 - 05 - F**

• Stations

02	2 stations
⋮	⋮
10	10 stations

Applicable solenoid valve

SY113-□□□□-M3  
SY113A-□□□□-M3

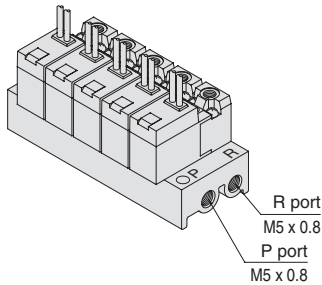
Applicable blanking plate assembly

SY100-77-1A



Note) Piping to exhaust port not possible.

### Type 31



How to Order

**SS3Y1 - 31 - 05**

• Stations

02	2 stations
⋮	⋮
20	20 stations

Applicable solenoid valve <sup>Note)</sup>

SY113-□□□□-M3  
SY113A-□□□□-M3  
SY123-□□□□-M3  
SY123A-□□□□-M3

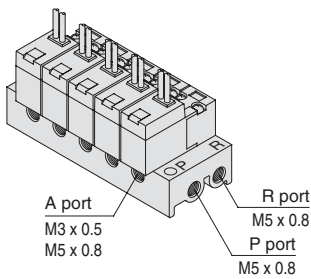
Applicable blanking plate assembly

SY100-77-1A



Note) SY113(A) and SY123(A) cannot be mounted on the same manifold.

### Type S41



How to Order

**SS3Y1 - S41 - 05 - M3**

• Stations

02	2 stations
⋮	⋮
20	20 stations

• A port side

M3	M3 x 0.5
M5	M5 x 0.8

Applicable solenoid valve <sup>Note)</sup>

SY114-□□□□  
SY114A-□□□□  
SY124-□□□□  
SY124A-□□□□

Applicable blanking plate assembly

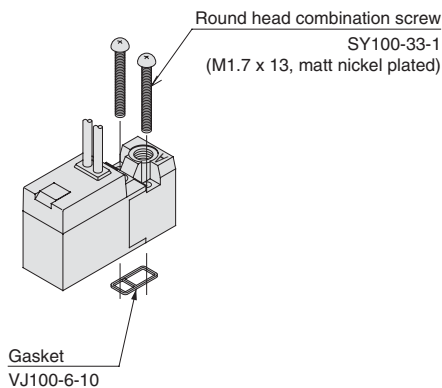
SY100-77-1A



Note) SY114(A) and SY124(A) cannot be mounted on the same manifold.

## Combination with Solenoid Valve and Gasket Manifold Base

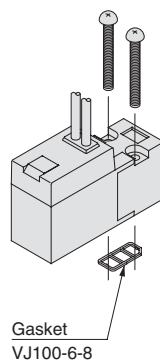
### Body ported



Applicable base

- Sub-plate (For body ported type)
- SS3Y1-30 type | Manifold
- SS3Y1-31 type | base

### Base mounted

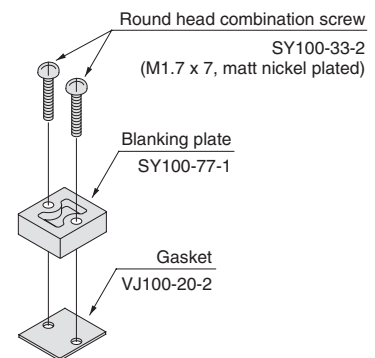


Applicable base

- Sub-plate
- Type SS3Y1- S41
- Manifold base

## Blanking Plate Assembly

### Part no.: SY100-77-1A



Applicable base

- Sub-plate
  - Type SS3Y1-30
  - Type SS3Y1-31
  - Type SS3Y1-S41
- Manifold base

## ⚠ Caution

Mounting Screw Tightening Torques M1.7: 0.12 N·m

V100

SY

SYJ

VK

VZ

VT

VP

VG

VP

S070

VQ

VKF

VQZ

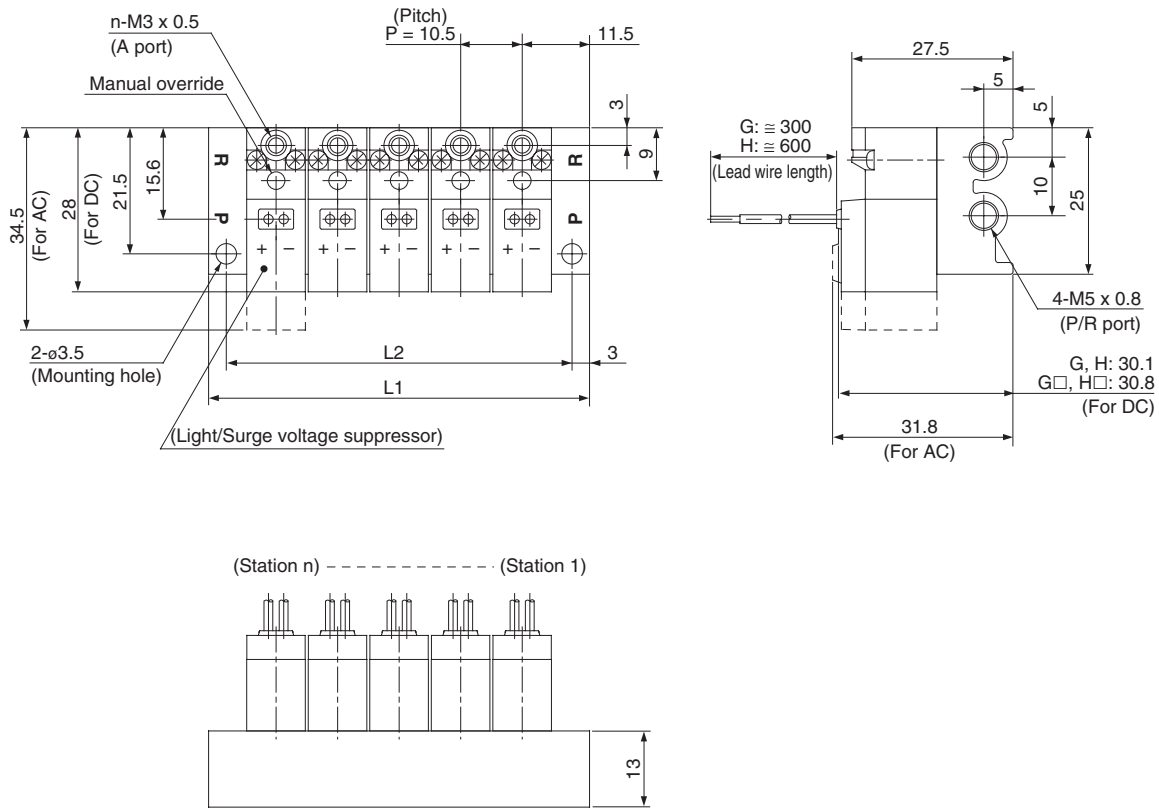
VZ

VS

VFN

## Type 31 Manifold: Top Ported/SS3Y1-31-Stations

### Grommet (G), (H)



V100

**SY**

SYJ

VK

VZ

VT

VP

VG

VP

S070

VQ

VKF

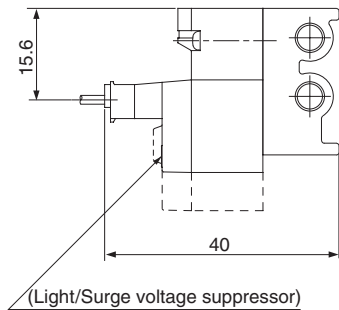
VQZ

VZ

VS

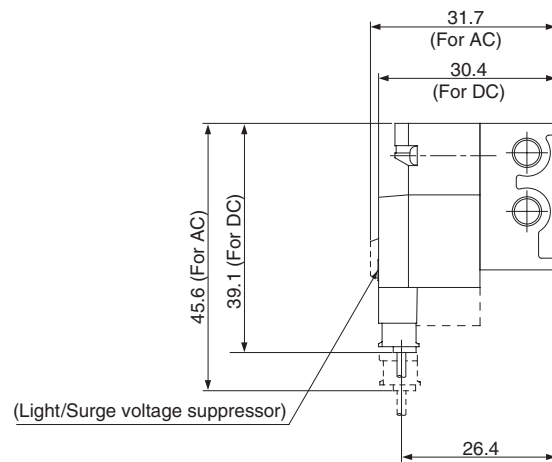
VFN

### L plug connector (L)



\* Other dimensions are same as grommet type.

### M plug connector (M)



\* Other dimensions are same as grommet type.

Station	2	3	4	5	6	7	8	9	10	11	12	13	14	15	16	17	18	19	20
L <sub>1</sub>	33.5	44	54.5	65	75.5	86	96.5	107	117.5	128	138.5	149	159.5	170	180.5	191	201.5	212	222.5
L <sub>2</sub>	27.5	38	48.5	59	69.5	80	90.5	101	111.5	122	132.5	143	153.5	164	174.5	185	195.5	206	216.5