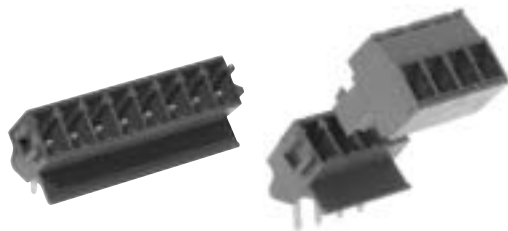


Series 11

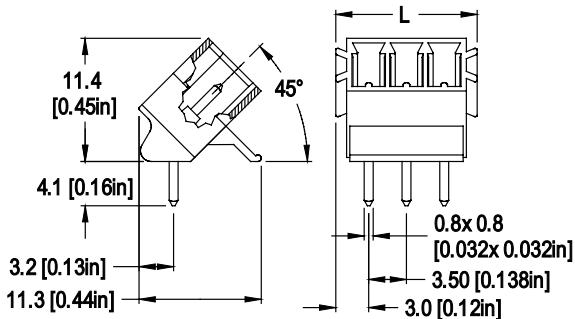
Type 110-V-211

3.5 mm spacing • 2 to 24 poles



110-V-211

One assembly



Dimensions: mm (in.) When locating connector, allow 0.5 mm clearance around it for process-induced variations.
Length of Connector (L) L = (No. of Poles x Center to Center Spacing) + 2.6 mm

DESCRIPTION

- Header
- Plug-In Direction and Wire Entrance 45° to PCB when plugged with 110-A-111
- Coding keys are available to ensure proper mating

TECHNICAL DATA

Center to Center Spacing: 3.5 mm (0.138 in.) Recommended Hole Ø in PCB: 1.2 mm (0.047 in.)

APPROVAL INFORMATION

	Rating	Current (A)	Voltage (V)	Application Group
UL File No.: E69841	UL	8	300	B,D
CSA File No.: LR24322	CSA	8	300	B

International Approvals:
 Rated Impulse Withstand Voltage: 2500 V

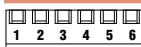
MATERIAL

MOLDING: Polyamide, self extinguishing to UL 94, V-0, grey
 TEMPERATURE LIMITS: Short time: 140°C (284°F)
 Continuous: RTI 105°C (221°F)
 Low limit: -40°C (-40°F)
 Comparative Tracking Index: CTI > 600
 Oxygen Index Rating: 33%
 Solder Pin: tin plated copper alloy, 0.8 x 0.8 mm (0.03 x 0.03 in.)

ACCESSORIES

- BST Self Adhesive Marking Strips. Consecutively numbered.

OPTIONS See How to Order. If more than one option is required, please separate each option with a dash (-).



CN: Consecutive Numbering (hot stamped White numbers)
 SM: Special Marking (please provide sketch)
 G05: Gold Plating (5 micro inches)
 G30: Gold Plating (30 micro inches)
 S30: Silver Plating (30 micro inches)
 (Plated components: solder pin)
 Version with 7 mm spacing, please consult factory.

HOW TO ORDER

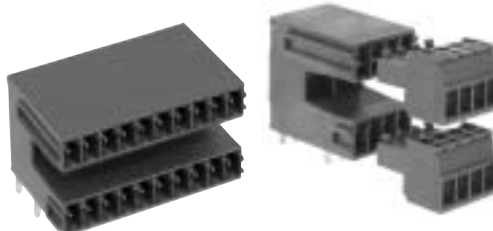
POLES:	OPTIONS:
02 to 24	CN, SM, G05, G30, S30
110-V-211/	-

www.weco.ca/products/110-V-211

Series 11

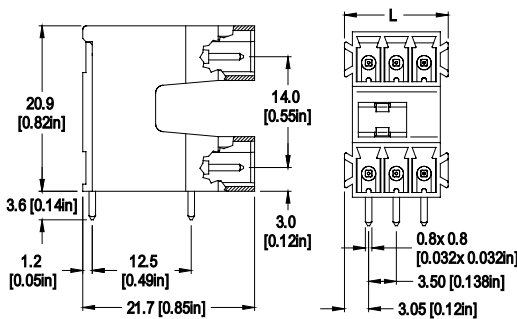
Type 110-P-211

3.5 mm spacing • 4 to 48 poles



110-P-211

One assembly



Dimensions: mm (in.) When locating connector, allow 0.5 mm clearance around it for process-induced variations.
Length of Connector (L) L = (No. of Poles x Center to Center Spacing) + 2.6 mm

DESCRIPTION

- Header • Double level (rows on same level)
- Plug-In Direction and Wire Entrance Parallel to PCB when plugged with 110-A-111
- Coding keys are available to ensure proper mating

TECHNICAL DATA

Center to Center Spacing: 3.5 mm (0.138 in.) Recommended Hole Ø in PCB: 1.2 mm (0.047 in.)

APPROVAL INFORMATION

	Rating	Current (A)	Voltage (V)	Application Group
UL File No.: E69841	UL	8	300	B,D
CSA File No.: LR24322	CSA	8	300	B

International Approvals:
 Rated Impulse Withstand Voltage: 2500 V

MATERIAL

MOLDING: Polyamide, self extinguishing to UL 94, V-0, grey
 TEMPERATURE LIMITS: Short time: 140°C (284°F)
 Continuous: RTI 105°C (221°F)
 Low limit: -40°C (-40°F)
 Comparative Tracking Index: CTI > 600
 Oxygen Index Rating: 33%
 Solder Pin: tin plated copper alloy, 0.8 x 0.8 mm (0.03 x 0.03 in.)

ACCESSORIES

- BST Self Adhesive Marking Strips. Consecutively numbered.

OPTIONS See How to Order. If more than one option is required, please separate each option with a dash (-).

CN: Consecutive Numbering (hot stamped White numbers)
 SM: Special Marking (please provide sketch)
 G05: Gold Plating (5 micro inches)
 G30: Gold Plating (30 micro inches)
 S30: Silver Plating (30 micro inches)
 (Plated components: solder pin)
 Version with 7 mm spacing, please consult factory.

HOW TO ORDER

POLES:	OPTIONS:
04 to 48	CN, SM, G05, G30, S30
110-P-211/	-

www.weco.ca/products/110-P-211

