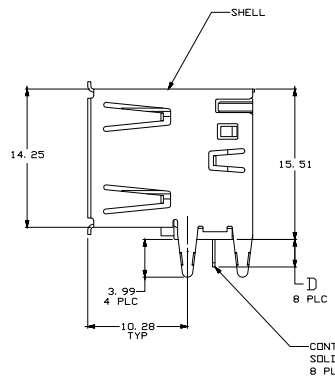
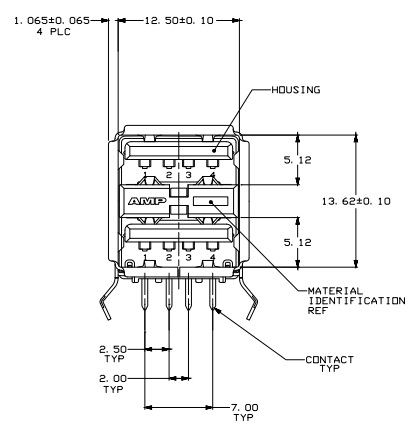
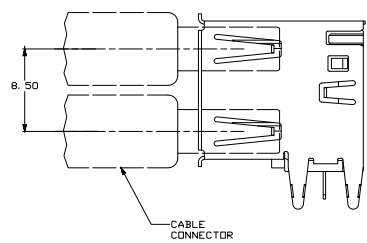
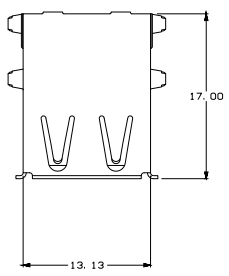
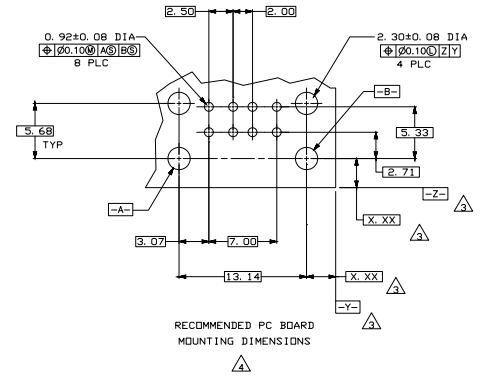


THIS DRAWING IS UNPUBLISHED
 ALL RIGHTS RESERVED

REV	DATE	DESCRIPTION	BY	CHK	APP
00					
C2		REVISED PER EDD-11-005033			



- △ MATERIAL:
SHELL & CONTACTS- COPPER ALLOY.
HOUSING- UL 94V-0 RATED, THERMOPLASTIC, SEE TABLE.
- △ PLATING:
CONTACTS- 0.075µm MINIMUM GOLD OVER 0.75µm MINIMUM PALLADIUM-NICKEL ON MATING AREA. OR CONTACT ALTERNATE PLATING 0.75µm MINIMUM GOLD ON MATING AREA.
3.80µm MINIMUM MATTE TIN ON SOLDER TAILS.
BOTH OVER 1.27µm MINIMUM NICKEL.
SHELL: 2-5µm MINIMUM BRIGHT TIN
- △ DATUM AND BASIC DIMENSIONS ESTABLISHED BY CUSTOMER.
RECOMMENDED PC BOARD THICKNESS OF 1.57.
- △ PLATING:
CONTACTS- 0.127µm MINIMUM GOLD ON MATING AREA.
3.80µm MINIMUM MATTE TIN ON SOLDER TAILS.
ALL OVER 1.27µm MINIMUM NICKEL ON ENTIRE CONTACT.
SHELL: 2-5µm MINIMUM BRIGHT TIN
- △ OBSOLETE PARTS: OBSOLETE CIS STREAMLINING PER D. RENAUD/D. SINISI



PACKAGING	PLATING	HIGH TEMPERATURE COMPATIBLE	D	HOUSING COLOR	PART NUMBER	
△	△	△	NO	3.24±0.25	BLACK	5787617-8
△	△	△	NO	2.84±0.25	BLACK	5787617-7
△	△	△	YES	2.84±0.25	NATURAL	5787617-6
△	△	△	YES	2.29±0.25	BLACK	5787617-5
△	△	△	YES	2.84±0.25	BLACK	5787617-4
△	△	△	NO	2.84±0.25	NATURAL	5787617-3
△	△	△	NO	2.29±0.25	BLACK	5787617-2
△	△	△	NO	2.84±0.25	BLACK	5787617-1

THIS DRAWING IS A CONTROLLED DOCUMENT. SEE EDD-11-005033

TE Connectivity

RECEPTACLE ASSEMBLY, RIGHT ANGLE, STACKED, THRU-HOLE, USB LEAD FREE VERSION

SEE CHART

CUSTOMER DRAWING

DATE: 5-1