

tyco

Electronics

HDMI™ Connectors and Cable Assemblies

08/05 1773083

DESCRIPTION

HDMI High-Definition Multimedia Interface connector is the next generation interface for consumer electronics products such as digital television, set-top boxes and DVD players. HDMI supports standard, enhanced, or high-definition video, plus multi-channel audio on a single cable.



APPLICATIONS

- Digital or High-Definition TV's
- Set-top Boxes
- DVD Players
- Desktop PC

KEY FEATURES

- Simple User Friendly Connector
 - Replaces existing audio and digital cabling in one assembly
 - Easy-to-use friction lock design provides secure electrical contact and smooth cable insertion/extraction
- Full shielding for ESD protection and lead-free process capable
- With or without panel flange
- 19 positions and 5 Gigabits/second of bandwidth to support video and multi-channel audio in a single cable

MECHANICAL

Durability: 10,000 cycles

Mating Force: 9.9 lbs. [44.1 N] maximum

Unmating Force: 2.2 lbs. [9.8 N] minimum, 8.8 lbs. [39.2] maximum

FOR MORE INFORMATION

Internet:

www.tycoelectronics.com

<http://hdmi.tycoelectronics.com/>

www.hdmi.org

Eric Himelright, Product Manager

Phone: 717-986-3750

Fax: 717-985-2833

elhimelright@tycoelectronics.com

Steve Bolash, Product Engineering

Phone: 717-592-3138

Fax: 717-985-2833

steve.bolash@tycoelectronics.com

Technical Support Center:

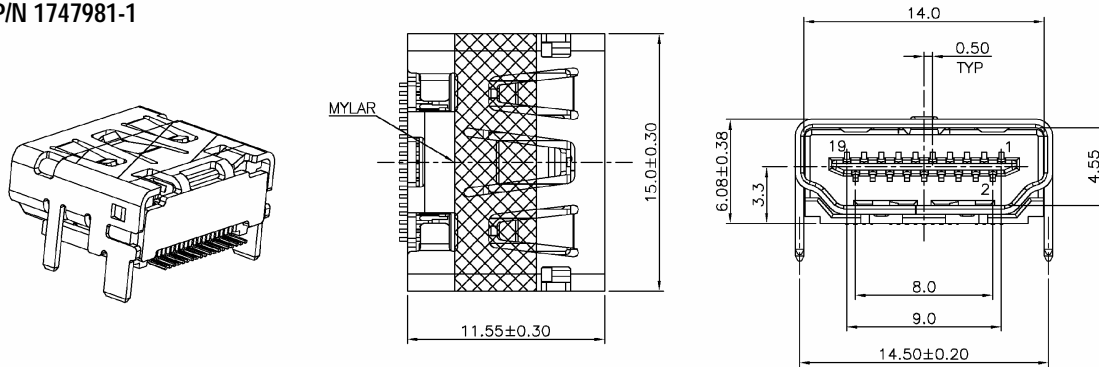
Phone: 1-800-522-6752

New product

HDMI™ PCB Header Connectors

PRODUCT DIMENSIONS AND PART NUMBER

SMT P/N 1747981-1

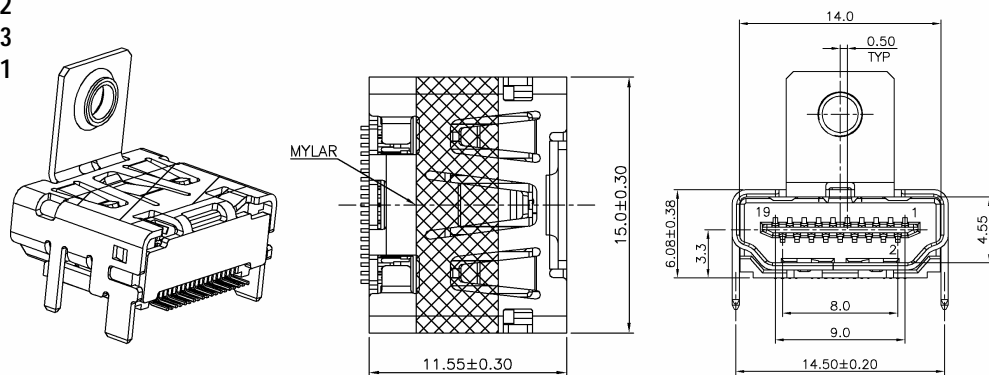


SMT P/N 1-1747981-1

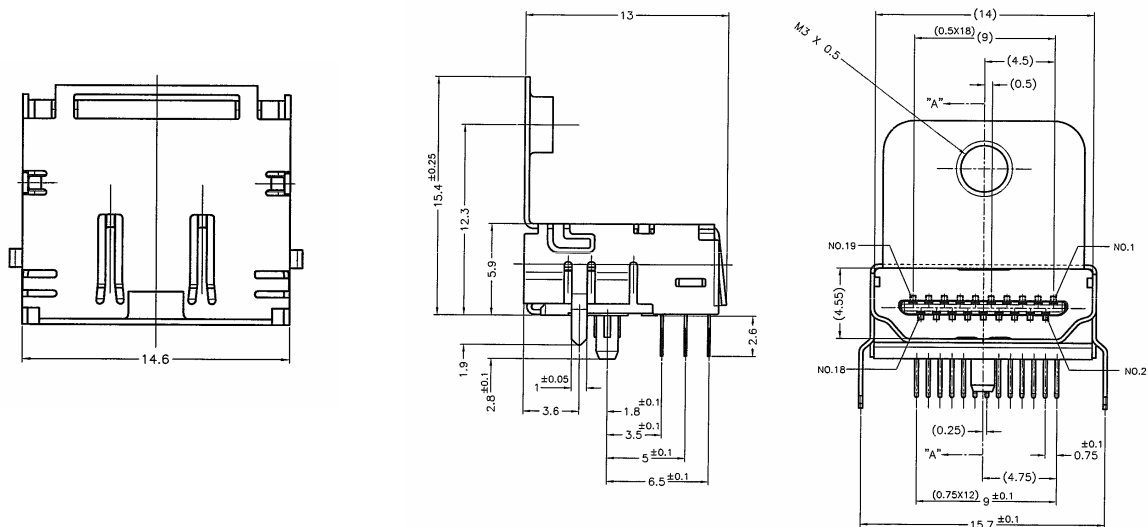
1-1747981-2

1-1747981-3

2-1747981-1



T/H P/N 1746679-1



HDMI™ Connectors and Cable Assemblies

ELECTRICAL

Voltage Rating: 40 VAC maximum

Contact Current Rating: 0.5 A minimum

Dry Circuit Resistance-

Contacts: 30 mΩ maximum initial

Shell: 50 mΩ maximum initial

Dielectric Withstanding Voltage -

Unmated: 500 VAC

Mated: 300 VAC

Insulation Resistance-

Unmated: 100 mΩ minimum

Mated: 10 mΩ minimum

ENVIRONMENTAL

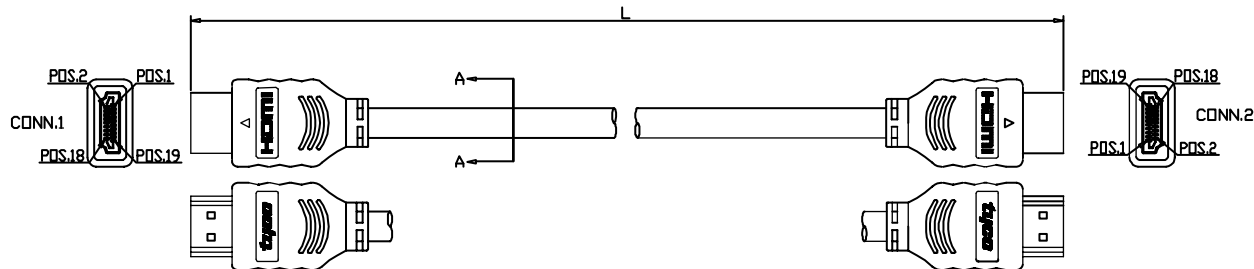
Temperature Range: -55°C to +105°C

TECHNICAL DOCUMENTS

- Engineering Test Report – 341

GENERIC DRAWINGS

HDMI to HDMI

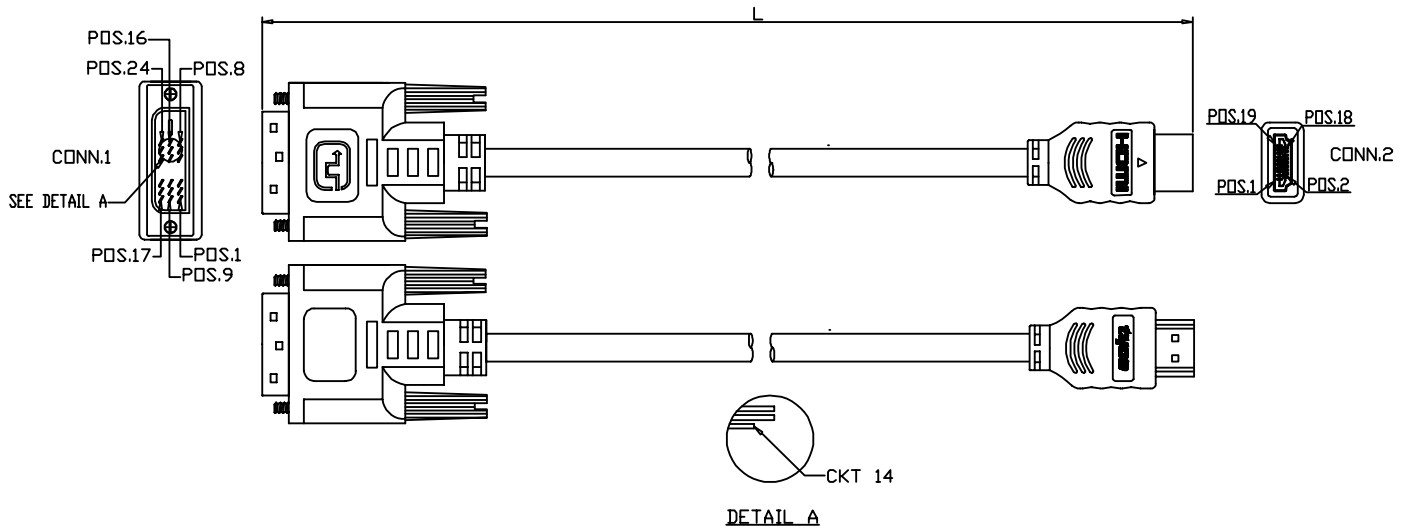


Dimension L	Part Number
1000 ± 20	1770019-6
750 ± 10	1770019-5
500 ± 10	1770019-4
250 ± 10	1770019-3
3000 ± 30	1770019-2
2000 ± 20	1770019-1

HDMI™ Connectors and Cable Assemblies

GENERIC DRAWINGS

DVI to HDMI



Dimension L	Part Number
1000 ± 20	1770020-6
750 ± 10	1770020-5
500 ± 10	1770020-4
250 ± 10	1770020-3
3000 ± 30	1770020-2
2000 ± 20	1770020-1

SHIELD	BRAID	SHELL		SHELL	
C	BLUE	19	YES	19	YES
B	ORANGE	18	YES	18	YES
	YELLOW	17		17	
C	GREEN	16		16	
C	WHITE	15	YES	15	YES
C	VIOLET	14	YES	14	YES
C	RED	13		13	
A	WHITE	12		12	
	DRAIN WIRE	11	YES	11	YES
A	GREEN	10	YES	10	YES
	WHITE	9		9	
A	DRAIN WIRE	8		8	
	GREEN	7	YES	7	YES
A	WHITE	6	YES	6	YES
	DRAIN WIRE	5		5	
A	GREEN	4		4	
	WHITE	3	YES	3	YES
A	DRAIN WIRE	2	YES	2	YES
	GREEN	1		1	
UNIT	WIRE COLOR	PIN	HST		HST
CABLE		CONN.1		CONN.2	

CONNECTION TABLE

