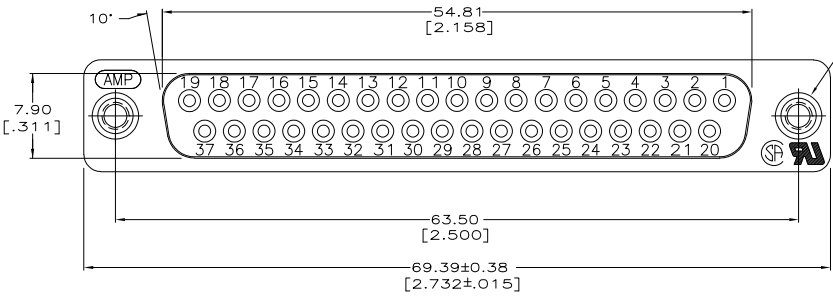


THIS DRAWING IS UNPUBLISHED.
 RELEASED FOR PUBLICATION
 BY TYCO ELECTRONICS CORPORATION. ALL RIGHTS RESERVED.

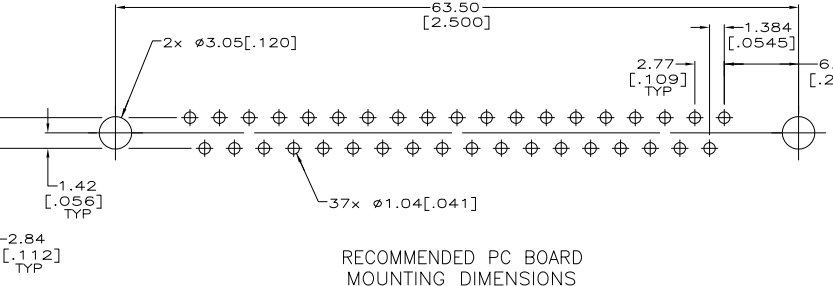
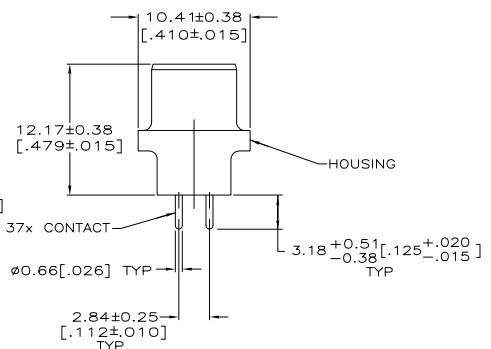
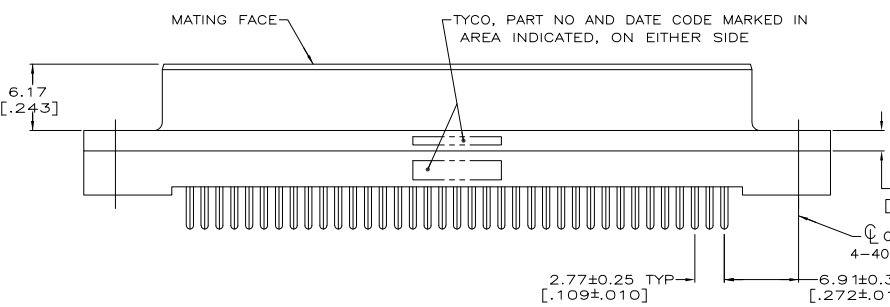
REV	DATE	DESCRIPTION	BY	APP'D
0	RELEASED PER EC 0513-0087-05		GP	JG



2X #4-40 INSERT

△ HOUSING: BLACK POLYESTER, UL 94V-0 RATED; CONTACTS: PHOSPHOR BRONZE; INSERTS: BRASS.

△ CONTACTS: 0.76 μm [.000030] MIN GOLD FOR A LENGTH OF 2.54 [.100] MIN FROM MATING END, 2.54 μm [.000100] MIN TIN ON OPPOSITE END, ALL OVER 1.27 μm [.000050] MIN NICKEL.



RECOMMENDED PC BOARD MOUNTING DIMENSIONS

**COPYRIGHT 2005
 TYCO ELECTRONICS CORP
 ALL RIGHTS RESERVED**

5745059-4
 PART NO

THIS DRAWING IS A CONTROLLED DOCUMENT.		DN G. PETERS	13SEP05	 Tyco Electronics Corporation Harrisburg, PA 17105-3608
DIMENSIONS: mm [INCHES]		DR S. BOLASH	13SEP05	
TO DIMENSIONS UNLESS OTHERWISE SPECIFIED:		APD M. WALMSLEY	13SEP05	RECEPTACLE ASSEMBLY, SIZE 4, 37 POSN, VERTICAL, AMPLIMITE HD-20
0 P/C ±	1 P/C ±	2 P/C ± 0.13 [005]	3 P/C ±	4 P/C ±
MATERIAL		FINISH	WEIGHT	SIZE
CUSTOMER DRAWING				A2 00779 ©=5745059
SCALE		SHEET		RESTRICTED TO
4:1		1 of 1		REV 0

AMP 1471-B REV 31MMR0000

5745059