

Crimp Plugs, Series 90, High Density Connectors

(MIL Qualified)

Material and Finish

Shell — Steel, cadmium plated

Insert — Approved material per MIL-DTL-24308

Retention Clips — Stainless steel or copper alloy

(Industrial Grade)

Material and Finish

Shell — Steel, zinc plated

Insert — Polyphenylene Sulfide (PPS)

Retention Clips — Stainless steel or copper alloy

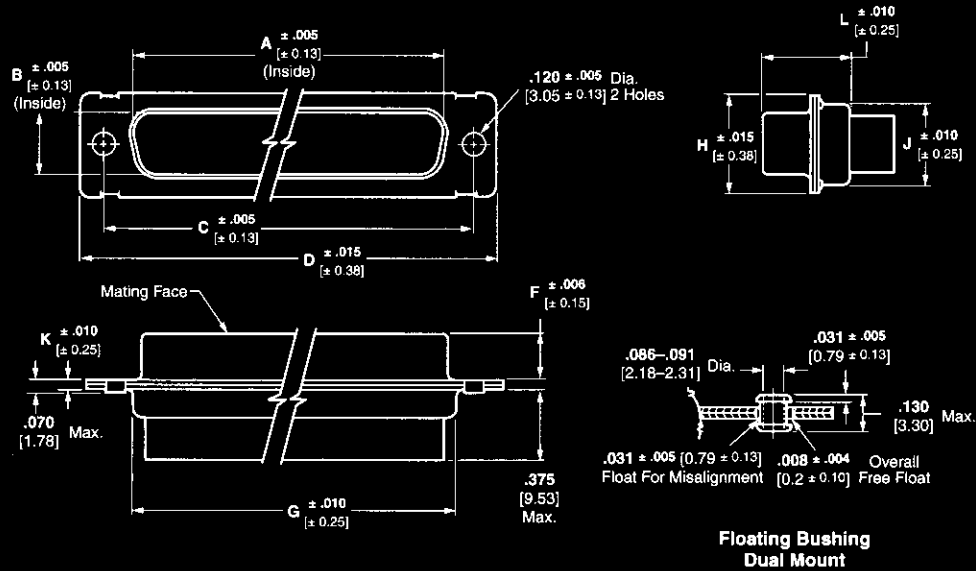
Related Product Data

Cavity Identification — page 5127

Contacts — pages 5128, 5129

Mounting, Mating Dimensions — page 5143

Accessories — pages 5148-5150



Attention: MIL Qualified Connector marking

Connector marking may differ from package marking. All connectors marked per MIL-DTL-24308.

No. of Contact Pos. (Shell Size)	MIL Qualified											Description	Industrial Grade ¹ Standard Mount Part No.			
	Dimensions										Standard Mount			Floating Bushing Mount		
	A	B	C	D	F	G	H	J	K	L	Military Part No. ² M24308/			AMP Part No.	Military Part No. M24308/	AMP Part No.
15 (1)	.666	.329	.984	1.213	.235	.759	.494	.422	.030	.422	4-264F	204501-1	4-329F	204525-1	Plug only	1218746-1
26 (2)	.994	.329	1.312	1.541	.235	1.083	.494	.422	.030	.422	4-11F	204513-2	4-307F	204537-2	Plug with pins ³	—
44 (3)	1.534	.329	1.852	2.088	.230	1.625	.494	.422	.039	.426	4-265F	204503-1	4-330F	204527-1	Plug only	1218746-2
62 (4)	2.182	.329	2.500	2.729	.230	2.272	.494	.422	.039	.426	4-12F	204515-2	4-308F	204539-2	Plug with pins ³	—
78 (5)	2.079	.441	2.406	2.635	.230	2.178	.605	.534	.039	.426	4-266F	204505-1	4-331F	204529-1	Plug only	1218746-3
104 (6)	2.212	.503	2.500	2.729	.230	2.302	.668	.596	.039	.426	4-13F	204517-2	4-309F	204541-2	Plug with pins ³	—
											4-267F	204507-1	4-332F	204531-1	Plug only	1218746-4
											4-14F	204519-2	4-310F	204543-2	Plug with pins ³	—
											4-268F	204509-1	4-333F	204533-1	Plug only	1218746-5
											4-15F	204521-2	4-311F	204545-2	Plug with pins ³	—
											4-269F	204511-1	4-334F	204535-1	Plug only	1218746-6
											4-16F	204523-2	4-312F	204547-2	Plug with pins ³	—

Notes: See pages 5151 through 5155 (military to AMP Part Number cross reference) for additional part numbers.

¹ Size 22 sockets supplied with receptacles are loose piece.

² "F" is stamped on connectors following M24308 part number as required. "F" designates cadmium shell plating.

³ Meets requirements of MIL-DTL-24308.