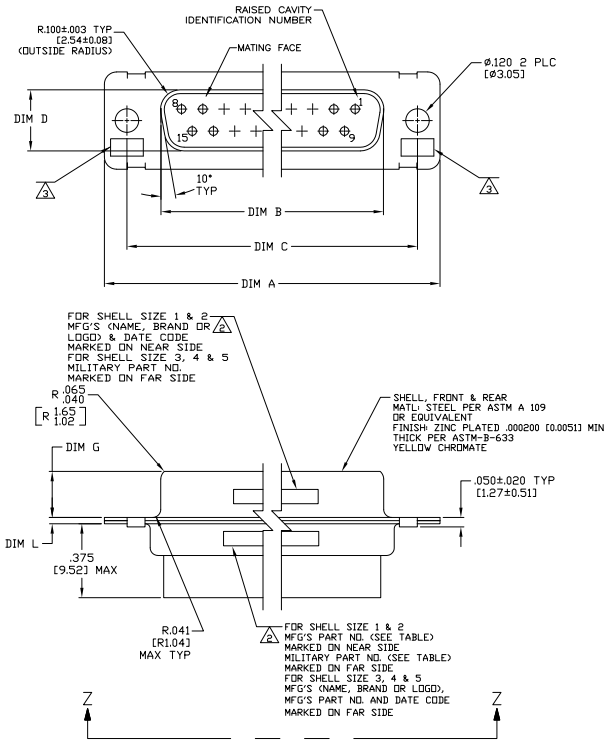
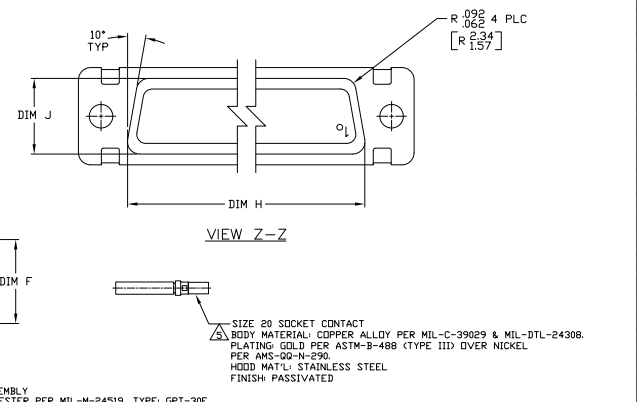


REV	DATE	DESCRIPTION	BY	CHK	APP
B	REV PER EOC-05-004459			AA	DM
C	REV PER EOC-08-018752			PK	BW



1. THE CONNECTOR DESCRIBED IN THIS DOCUMENT WILL MATE WITH ANY PLUG CONNECTOR WITH THE SAME INSERT ARRANGEMENT.
- △ MARKED WITH .047-.062 [1.19-1.57] HIGH CHARACTERS, FAR SIDE REFERS TO THE WIDE SIDE OF THE KEYSTONE. NEAR SIDE REFERS TO THE NARROW SIDE OF THE KEYSTONE. WHEN SPACE IS LIMITED MARKING CAN BE SPLIT BETWEEN FRONT AND REAR SHELL.
- △ UL/CSA DESIGNATION STAMPED IN THIS AREA.
- △ CONNECTOR ASSEMBLY WITHOUT CONTACTS, MFG'S P/N 205090-1 OR 1218372-1. MUST BE ORDERED SEPARATELY.
- △ CONNECTOR ASSEMBLY SUPPLIED WITH CONTACTS, MFG'S P/N 1218372-1. PACKAGED IN A SEPARATE CONTAINER. QTY = NO. OF POSN. (SEE TABLE).



REMARKS	MILITARY P/N ON PACKAGE	MILITARY P/N ON CONNECTOR	MARKED MFG'S PART NUMBER	L	J	H	G	F	E	D	C	B	A	INSERT ARRANGEMENT	NO OF POS	SHELL SIZE	PART NUMBER
△	M24308/2-5	M24308/2-5	1-1757820-0	.049 [1.24]	.544 [13.82]	2.188 [55.59]	.248 [6.30]	.439 [11.15]	.680 [17.25]	.428 [10.87]	2.411 [61.24]	2.069 [52.50]	2.650 [67.31]	MS18277-1	50	5	1-1757820-0
△	M24308/2-4	M24308/2-4	1757820-9	.049 [1.24]	.432 [10.97]	2.282 [57.96]	.248 [6.30]	.439 [11.15]	.509 [12.93]	.316 [8.03]	2.205 [56.33]	2.164 [54.97]	2.744 [69.70]	MS18276-1	37	4	1757820-9
△	M24308/2-3	M24308/2-3	1757820-8	.049 [1.24]	.412 [10.46]	2.262 [57.45]	.238 [6.05]	.419 [10.64]	.479 [12.17]	.306 [7.77]	2.474 [62.81]	2.154 [54.71]	2.714 [68.94]	MS18275-1	25	3	1757820-8
△	M24308/2-2	M24308/2-2	1757820-7	.049 [1.24]	.412 [10.46]	1.615 [41.02]	.238 [6.05]	.419 [10.64]	.509 [12.93]	.316 [8.03]	1.827 [47.17]	1.516 [38.51]	2.103 [53.42]	MS18274-1	15	2	1757820-7
△	M24308/2-1	M24308/2-1	1757820-6	.040 [1.02]	.412 [10.46]	1.993 [50.74]	.248 [6.30]	.439 [11.15]	.509 [12.93]	.316 [8.03]	1.317 [33.40]	.976 [24.79]	1.526 [38.76]	MS18273-1	9	1	1757820-6
△	M24308/2-285	M24308/2-5	1-1757820-0	.049 [1.24]	.544 [13.82]	2.188 [55.59]	.248 [6.30]	.439 [11.15]	.680 [17.25]	.428 [10.87]	2.411 [61.24]	2.069 [52.50]	2.650 [67.31]	MS18277-1	50	5	1757820-5
△	M24308/2-284	M24308/2-4	1757820-9	.049 [1.24]	.432 [10.97]	2.282 [57.96]	.248 [6.30]	.439 [11.15]	.509 [12.93]	.316 [8.03]	2.205 [56.33]	2.164 [54.97]	2.744 [69.70]	MS18276-1	37	4	1757820-4
△	M24308/2-283	M24308/2-3	1757820-8	.049 [1.24]	.412 [10.46]	2.262 [57.45]	.238 [6.05]	.419 [10.64]	.479 [12.17]	.306 [7.77]	2.474 [62.81]	2.154 [54.71]	2.714 [68.94]	MS18275-1	25	3	1757820-3
△	M24308/2-282	M24308/2-2	1757820-7	.040 [1.02]	.412 [10.46]	1.615 [41.02]	.238 [6.05]	.419 [10.64]	.509 [12.93]	.316 [8.03]	1.317 [33.40]	.976 [24.79]	1.526 [38.76]	MS18274-1	15	2	1757820-2
△	M24308/2-281	M24308/2-1	1757820-6	.040 [1.02]	.412 [10.46]	1.993 [50.74]	.248 [6.30]	.439 [11.15]	.509 [12.93]	.316 [8.03]	1.317 [33.40]	.976 [24.79]	1.526 [38.76]	MS18273-1	9	1	1757820-1

THIS DRAWING IS A CONTROLLED DOCUMENT. (P) (C) (S) (R) (T) (U) (V) (W) (X) (Y) (Z)

DESIGNED BY: J. MILLER
 CHECKED BY: J. MILLER
 DRAWN BY: J. MILLER
 DATE: 08/01/05

AMPLITE RECEPTACLE ASSY, SIZE 1 THRU 5
 SERIES 109 WITH ZINC PLATED SHELLS

SEE CALLOUTS

CUSTOMER DRAWING: A100779G-1757820

REV: 4.1