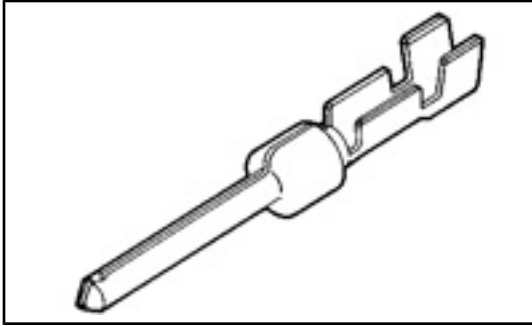


1-66507-0 Product Details



1-66507-0

TE Internal Number: 1-66507-0



[Active](#)

Standard Cable Connectors



[Always EU RoHS/ELV Compliant \(Statement of Compliance\)](#)

Product Highlights:

- Contact
- Product Series = HDP-20 (Crimp Snap)
- Pin
- Wire Termination Type = Crimp
- Wire Insulation Diameter = .76 - 1.02 mm

[View all Features](#)

Documentation & Additional Information

Product Drawings:

- [PIN CONTACT, SIZE 20 DF, 24-28 AWG, AMPLIMITE](#) (PDF, English)

Catalog Pages/Data Sheets:

- [PRECISION PIN AND SOCKET CONTACTS](#) (PDF, English)
- [Signal Contacts](#) (PDF, English)
- [CIRCULAR CONNECTORS FOR COMMERCIAL SIGNAL AND POWER ...](#) (PDF, English)
- [AMP Circular Connectors for Commercial Signal & Powe...](#) (PDF, English)
- [AMPLIMITE SUBMINATURE D TYPE CONNECTORS](#) (PDF, English)
- [AMPLIMITE Subminiature D Connectors - Cable Connectors](#) (PDF, English)

Product Specifications:

- [AMPLIMITE* HDP-20 Subminiature D Connector With F Cr...](#) (PDF, English)

Application Specifications:

- [HD-20 Precision Formed Contacts](#) (PDF, English)
- [AMPLIMITE HDP-20 and Economy Crimp Snap Subminiature...](#) (PDF, English)

Instruction Sheets:

- [AMPLIMITE High Density \(HDP-20\) Connectors with Crim...](#) (PDF, English)
- [PRO-CRIMPER II Hand Tool Assembly 58448-2 With Die A...](#) (PDF, English)
- [Insertion/Extraction Tool 91285-1 and Replacement Ti...](#) (PDF, English)

CAD Files: ([CAD Format & Compression Information](#))

- [2D Drawing](#) (DXF, Version AP)
- [3D Model](#) (IGES, Version AP)
- [3D Model](#) (STEP, Version AP)

[List all Documents](#)

Additional Information:

- [Product Line Information](#)

Related Products:

- [Tooling](#)

Product Features (Please use the Product Drawing for all design activity)

Product Type Features:

- [Product Type](#) = Contact
- [Product Series](#) = HDP-20 (Crimp Snap)
- [Pin/Socket](#) = Pin
- [Wire Termination Type](#) = Crimp
- [Wire Insulation Diameter \(mm \[in\]\)](#) = 0.76 – 1.02 [0.030 – 0.040]
- [Insulation Support](#) = Yes
- Grade = Standard

Mechanical Attachment:

- Contact Retention in Housing = Crimp Snap-In

Termination Related Features:

- [Solder Tail Contact Plating](#) = Gold Flash over Nickel
- Pin Diameter (mm [in]) = 1.02 [0.040]

Body Related Features:

- [Wire Range \(mm² \[AWG\]\)](#) = 0.08 - 0.20 [28-24]
- Used With = CPC Connectors, AMPLIMITE HDP-20

Contact Related Features:

- [Contact Mating Area Plating Material](#) = Gold Flash
- [Contact Size](#) = 20
- Contact Base Material = Brass

Industry Standards:

- [RoHS/ELV Compliance](#) = RoHS compliant, ELV compliant
- [Lead Free Solder Processes](#) = Not relevant for lead free process
- RoHS/ELV Compliance History = Always was RoHS compliant

Packaging Related Features:

- [Packaging Method](#) = Loose Piece

Other:

- Brand = AMP