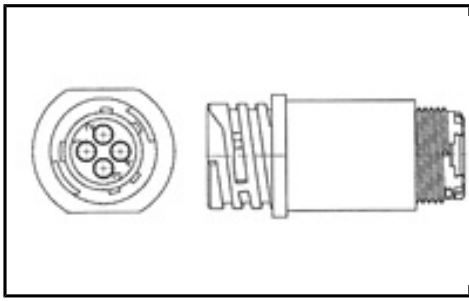




796276-1 Product Details



796276-1



[Active](#)

CPC Connectors



[Always EU RoHS/ELV Compliant \(Statement of Compliance\)](#)

Product Highlights:

- Connector
- Number of Positions = 16
- Receptacle
- For Use With Pin Contacts
- Not Preloaded

[View all Features](#) | [Find Similar Products](#)

NEW!

Documentation & Additional Information

Product Drawings:

- [ASSEMBLY, RECEPTACLE, STANDARD SEX, 17-16, STANDARD ...](#) (PDF, English)

Catalog Pages/Data Sheets:

- [CIRCULAR CONNECTORS FOR COMMERCIAL SIGNAL AND POWER ...](#) (PDF, English)
- [AMP Circular Connectors for Commercial Signal & Powe...](#) (PDF, English)

Product Specifications:

- None Available

Application Specifications:

- None Available

Instruction Sheets:

- None Available

CAD Files: [\(CAD Format & Compression Information\)](#)

- [2D Drawing](#) (DXF, Version C)
- [3D Model](#) (IGES, Version C)
- [3D Model](#) (STEP, Version C)

Additional Information:

- [Product Line Information](#)

Related Products:

- [Tooling](#)
- [Mating Products \(3\)](#)

[List all Documents](#)

Product Features (Please use the Product Drawing for all design activity)

Product Type Features:

- [Product Type](#) = Connector
- [Number of Positions](#) = 16
- [Gender](#) = Receptacle
- For Use With = Pin Contacts
- Termination Style = Wire
- [Shell Size](#) = 17
- [Shell Type](#) = All Plastic
- [Product Series](#) = Series 1
- [Thread Size](#) = 15/16-20 UNEF-2A
- [Sealed](#) = Yes
- Insulation Diameter (mm [in]) = 1.65 – 3.05 [0.065 – 0.120]

Mechanical Attachment:

- [Preloaded](#) = No
- [VDE Tested](#) = No

Termination Related Features:

- Seal Type = Peripheral, Wire Entry

Body Related Features:

- [Mount Style](#) = Free Hanging
- Peripheral Seal Material = Elastomer
- Peripheral Seal Color = Gray
- Wire Seal Color = Red-Iron Oxide

Contact Related Features:

- [Standard or Reverse Gender](#) = Standard
- Wire Seal Material = Elastomer

Housing Related Features:

- Housing Material = Nylon
- Housing Color = Black

Configuration Related Features:

- [Reverse Numbering](#) = Without

Industry Standards:

- [RoHS/ELV Compliance](#) = RoHS compliant, ELV compliant
- [Lead Free Solder Processes](#) = Not relevant for lead free process
- RoHS/ELV Compliance History = Always was RoHS compliant

Other:

- Brand = AMP