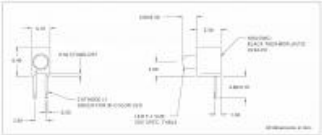
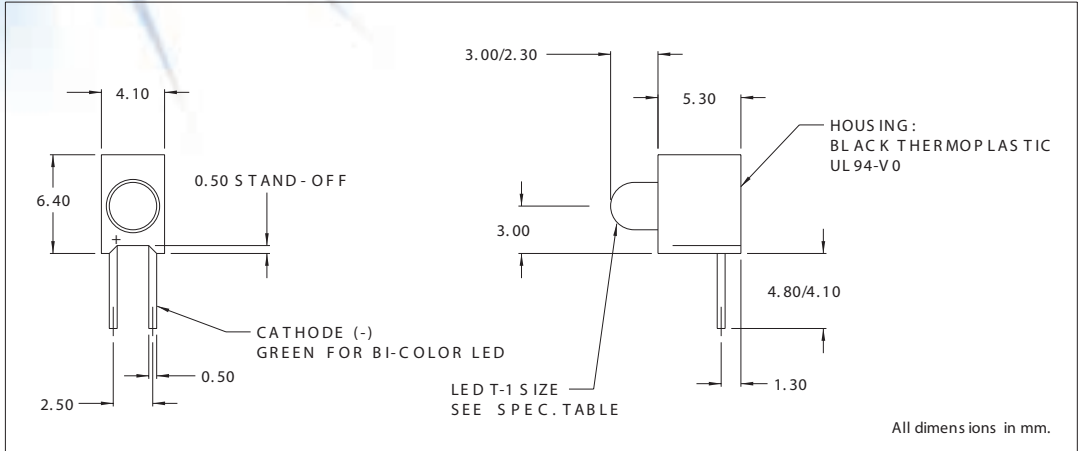


Circuit Board Indicators

CML LED assemblies are available in both right angle and vertical package and utilize the CML IT line of high quality LEDs. Parts range in voltage from 2V to 12V and in current from 2mA to 20mA. The UL94V0 housings ensure proper LED alignment.

	<p>Part Number: 5600F5 Serial Number: 5600F Emitted color: Green Lens color: Green Lum in min (mcd): 9 Lum in typ (mcd): 25 Rated current (mA): 10.0 Cont forward current max: 30.0 Fwd volts type: 2.1 Forward volt max.: 3.0 Reverse breakdown V: 5 Viewing angle (°): 55 Peak wave length (nm): 563 Housing type: UL94V-0 RoHS Status: Yes</p>
--	--

5600 Series T-1 Right Angle LED Assembly
DESCRIPTION AND FEATURES



Features

- Small T-1 size lamp preassembled into Nylon plastic block.
- Height and spacing alignment, saves assembly cost.
- Super Brite and High Brite LEDs.
- Highlight output - diffused lens.
- High contrast ratio.
- Low current - only 2 mA.
- Built-in resistor chip operates off 5 volt supply without external resistor.
- Standoffs prevent flux entrapment.

Housing: Black Nylon,UL94V-0

Note: Alternate LEDs are also available in this package as a standard variation.

ELECTRO-OPTICAL CHARACTERISTICS AND RATINGS

Part Number	Color	Typ. Intensity (mcd)	Rated Current (mA)	Continuous Forward Current Max. (mA)	Forward Voltage Typ. (V)	Forward Voltage Max. (V)	Reverse Break-down Voltage Min. (V)	Peak Wave length (nm)
5600F1	Red	10	10	30	2.0	3.0	5	650
5600F3	Amber	7	10	30	2.2	3.0	5	603
5600F5	Green	16	10	30	2.2	3.0	5	562
5600F7	Yellow	6.3	10	30	2.1	3.0	5	585
5600F1LC	Red	2.5	2.0	7	1.8	2.2	5	635
5600F5LC	Green	2.1	1.0	7	1.8	2.2	5	565
5600F7LC	Yellow	1.8	2.0	7	1.9	2.7	5	583
5602F1-5V	Red	8.0	10	20	5	7.5	5	655
5602F3-5V	Amber	8.0	10	15	5	7.5	5	583
5602F5-5V	Green	8.0	10	15	5	7.5	5	565