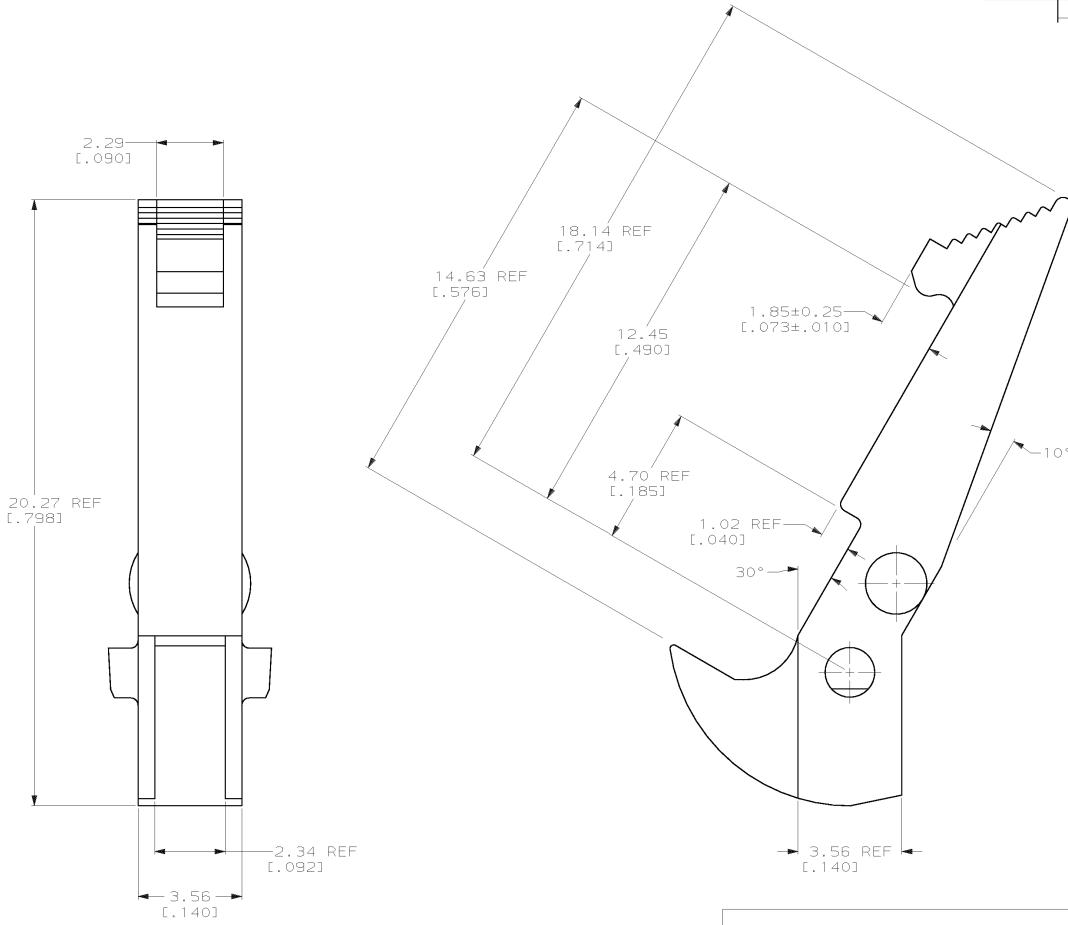


THIS DRAWING IS UNPUBLISHED. RELEASED FOR PUBLICATION .19  
 © COPYRIGHT 19 BY AMP INCORPORATED. ALL INTERNATIONAL RIGHTS RESERVED.

LOC	DIST	P	F	ZONE	LTR	DESCRIPTION	DATE	APPD
GP	00					F REVISED PER EC 0513-0139-05	25MAY95	JG



1. TO BE USED WITH AMP-LATCH™ UNIVERSAL HEADER WHICH MATES WITH AMP-LATCH™ CONNECTOR WITH STRAIN RELIEF COVER.

THIS DRAWING IS A CONTROLLED DOCUMENT FOR AMP INCORPORATED. IT IS SUBJECT TO CHANGE AND THE CONTROLLING ENGINEERING ORGANIZATION SHOULD BE CONTACTED FOR THE LATEST REVISION.

BLUE	102320-3
BLACK	102320-1
COLOR	PART NO

DO NOT SCALE PRINT. UNLESS SPECIFIED DIMENSIONS IN mm (INCHES) TOLERANCES ON : 2 PLC DEC ± 0.13 (.005) 3 PLC DEC ± . ANGLES ± 1°	DR 07/08/92 D. SELTZ CHK 7-10-92 R. STONE APPD 7-13-92 R. KILLE	AMP Incorporated Harrisburg, PA 17105-3608	
MATERIAL FLAME RETARDANT PBT, UL94V-0 RATED	APPD 7-15-92 D. HOFFMAN	NAME LATCH, UNIVERSAL HEADER, AMP-LATCH	
FINISH -	APPLICATION SPEC -	SIZE C 00779	DRAWING NO C-102320
WEIGHT -	SCALE 10:1	CAGE CODE	SHEET 1 OF 1

CUSTOMER DRAWING