

4

3

2

1

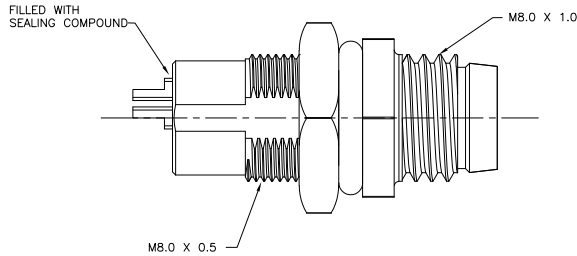
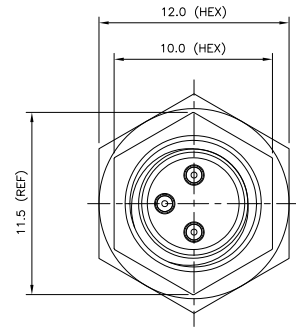
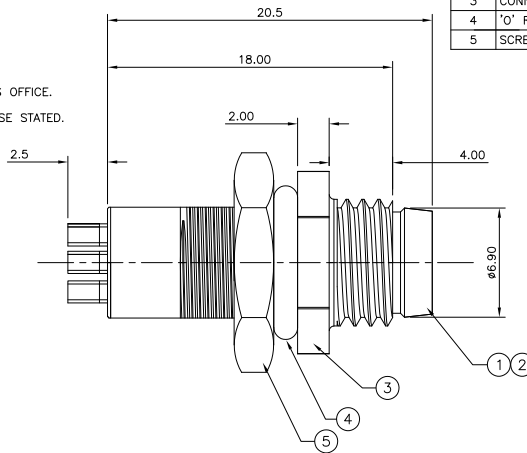
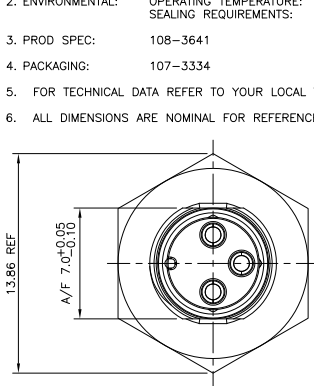
THIS DRAWING IS UNPUBLISHED. RELEASED FOR PUBLICATION 21FEB.2007.
 © COPYRIGHT 2007 BY TYCO ELECTRONICS CORPORATION. ALL RIGHTS RESERVED.

P	LTR	DESCRIPTION	DATE	DWN	APVD
D		ECR-07-014829	21/06/07	AM	FWK

NOTES:

- ELECTRICAL DATA: CONTACT RESISTANCE: 10 mOhm MAX
 INSULATION RESISTANCE: 100 MOhm MIN at 500VDC
 CURRENT RATING: 5 AMPS FOR 3 AND 4 POSITIONS
 BREAKDOWN VOLTAGE: 500 VAC MIN PER MINUTE
- ENVIRONMENTAL: OPERATING TEMPERATURE: -25°C TO +90°C
 SEALING REQUIREMENTS: IP67
- PROD SPEC: 108-3641
- PACKAGING: 107-3334
- FOR TECHNICAL DATA REFER TO YOUR LOCAL TYCO ELECTRONICS SALES OFFICE.
- ALL DIMENSIONS ARE NOMINAL FOR REFERENCE ONLY UNLESS OTHERWISE STATED.

ITEM	DESCRIPTION	MATERIAL	FINISH/COLOUR	QUANTITY / ITEM	
				-1	-2
1	CONNECTOR HOUSING	GF NYLON	BLACK	1	1
2	PIN CONTACT	BRASS	0.15µm GOLD OVER NICKEL	3	4
3	CONNECTOR BODY	ZINC DIE CAST	2.5µm NICKEL PLATED	1	1
4	'O' RING	EPDM	BLACK	1	1
5	SCREW NUT	BRASS	2.5µm NICKEL PLATED	1	1



M8 METAL MALE PANEL MOUNT CONNECTOR, SOLDER, STRAIGHT, REAR (HEXAGONAL) MOUNTING	4	1838838-2
M8 METAL MALE PANEL MOUNT CONNECTOR, SOLDER, STRAIGHT, REAR (HEXAGONAL) MOUNTING	3	1838838-1
DESCRIPTION	NO. OF POS	PART NUMBER

THIS DRAWING IS A CONTROLLED DOCUMENT.

DIMENSIONS:	TOLERANCES UNLESS OTHERWISE SPECIFIED:
mm	
0 PLC	± -
1 PLC	± -
2 PLC	± -
3 PLC	± -
4 PLC	± -
ANGLES	± -
MATERIAL	FINISH
-	-

DWN A Morey 21FEB07	Tyco Electronics Corporation Bideford, UK, EX39 4HE
CHK F.Wheeler-King 22FEB07	
APVD F.Wheeler-King 22FEB07	NAME
PRODUCT SPEC	M8 METAL MALE PANEL MOUNT CONNECTOR, SOLDER, STRAIGHT, REAR (HEXAGONAL) MOUNTING
APPLICATION SPEC	
WEIGHT	SIZE CAGE CODE DRAWING NO RESTRICTED TO
-	A3 00779 C-1838838 -
CUSTOMER DRAWING	SCALE NTS SHEET 1 OF 2 REV D

4

3

2

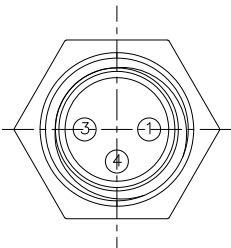
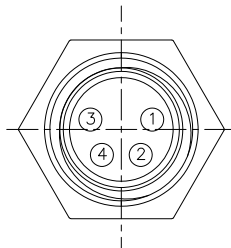
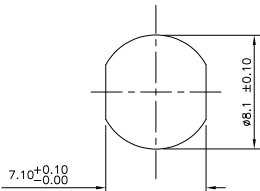
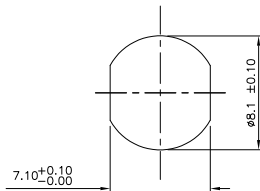
1

THIS DRAWING IS UNPUBLISHED. RELEASED FOR PUBLICATION 21FEB.2007.
 © COPYRIGHT 2007 BY TYCO ELECTRONICS CORPORATION. ALL RIGHTS RESERVED.

LOC	DIST	REVISIONS				
P	LTR	DESCRIPTION	DATE	DWN	APVD	
-	-	SEE SHEET 1	-	-	-	

1838838-1

1838838-2

PIN ASSIGNMENTS
FRONT VIEWPIN ASSIGNMENTS
FRONT VIEWRECOMMENDED PANEL CUT-OUT
(MAX PANEL THICKNESS 3mm)RECOMMENDED PANEL CUT-OUT
(MAX PANEL THICKNESS 3mm)

THIS DRAWING IS A CONTROLLED DOCUMENT.

DWN A.Morey 21FEB07

CHK F.Wheeler-King 22FEB07

APVD F.Wheeler-King 22FEB07

PRODUCT SPEC

APPLICATION SPEC

WEIGHT

CUSTOMER DRAWING

Tyco Electronics Corporation Bideford, UK, EX39 4HE		RESTRICTED TO	
NAME M8 METAL MALE PANEL MOUNT CONNECTOR, SOLDER, STRAIGHT, REAR (HEXAGONAL) MOUNTING			
SIZE	CAGE CODE	DRAWING NO	RESTRICTED TO
A3	00779	1838838	-
SCALE NTS		SHEET 2 OF 2	REV D

DIMENSIONS:

mm

0 PLC

1 PLC

2 PLC

3 PLC

4 PLC

ANGLES

FINISH

TOLERANCES UNLESS OTHERWISE SPECIFIED:

± -

± -

± -

± -

± -

± -

± -

-

