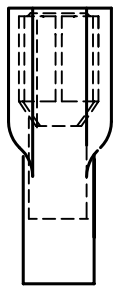


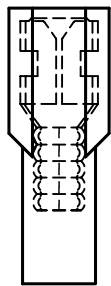
DCP #	REV	DESCRIPTION	DRAWN	DATE	CHECKD	DATE	APPRVD	DATE
1199	B	Redrawn and renamed	JWM	11/9/01	JC	11/26/01	JC	11/26/01
1745	C	UL No. Corrected	JWM	7/6/05	HO	7/6/05	HO	7/6/05

NOTES:

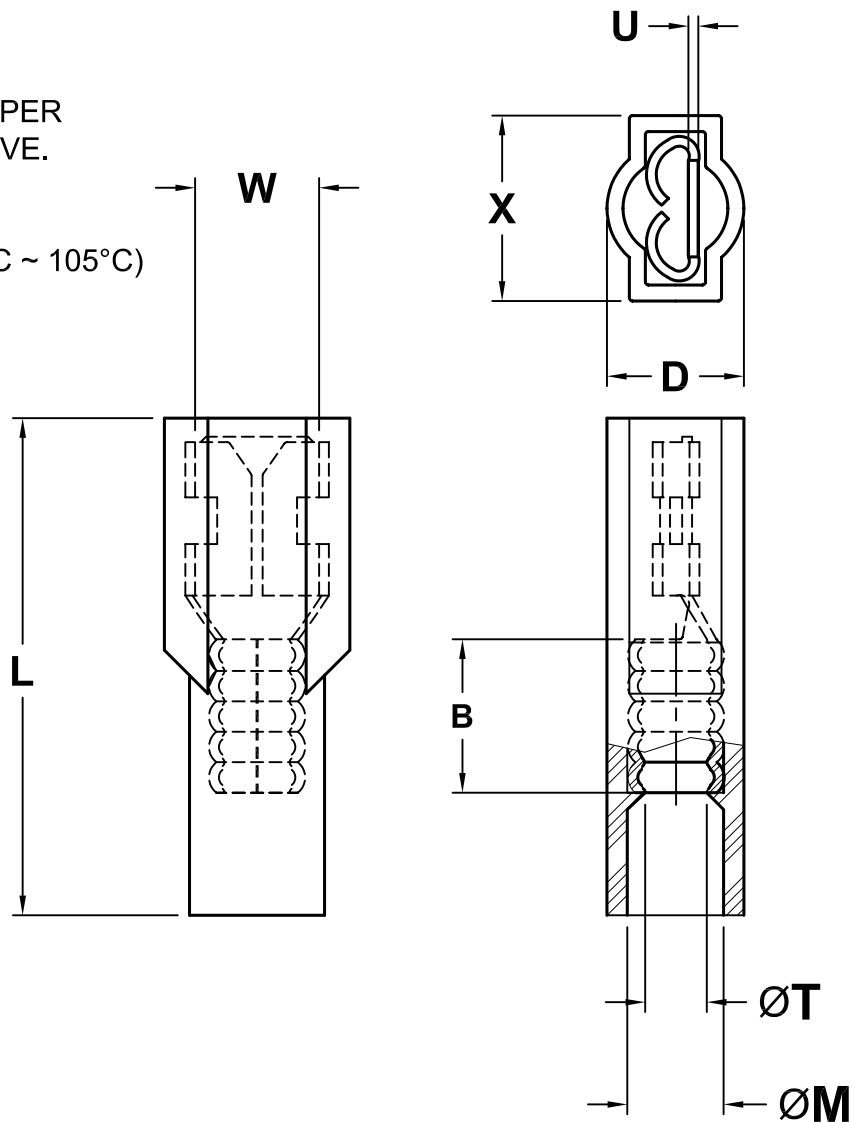
1. MATERIAL: ELECTRO-TIN PLATED COPPER WITH NYLON 6/6 FULL SLEEVE.
2. FLAMMABILITY: UL94V-2
3. VOLTAGE RATING: 600 V
4. OPERATING TEMP: -40°F to 221°F (-40°C ~ 105°C)



Style 1



Style 2



OSHA Acceptable

PART NUMBER	WIRE RANGE (AWG)	MATES WITH MALE TAB WIDTH (W') X THICKNESS	L	X	D	B	T	M	U	COLOR	STYLE
CFS-TF-1025	12-10	.250 x .032	.99	.39	.32	.25	.148	.250	.020	YELLOW	1
CFS-TF-1418	16-14	.187 x .020	.81	.30	.23	.25	.085	.145	.020	BLUE	2
CFS-TF-1425	16-14	.250 x .032	.91	.37	.23	.25	.080	.170	.020	BLUE	1
CFS-TF-1818	22-18	.187 x .020	.81	.30	.23	.25	.085	.145	.020	RED	2
CFS-TF-1825	22-18	.250 x .032	.91	.37	.23	.25	.080	.170	.020	RED	1
CFS-TF-2012 †	26-20	.110 x .020	.66	.22	.15	.13	.055	.093	.012	YELLOW	1

SPC-F004.DWG

† NOT UL LISTED OR CSA CERTIFIED

TOLERANCES: Tolerances: Unless Otherwise Specified: .X = ±.015 .XX = ±.010 .XXX = ±.005	DRAWN BY: JC	DATE: 3/11/91	DRAWING TITLE: Fully Insulated Butted Seam Female Disconnects			
	CHECKED BY: JOHN COLE	DATE: 12/10/91	SIZE A	DWG. NO. TA-443	ELECTRONIC FILE TA-443.dwg	REV C
	APPROVED BY: John Liska	DATE: 12/10/91	SCALE: NTS		U.O.M.: INCHES [mm]	SHEET: 1 OF 1

ALL RIGHTS RESERVED. NO PORTION OF THIS PUBLICATION, WHETHER IN WHOLE OR IN PART CAN BE REPRODUCED WITHOUT THE EXPRESS WRITTEN CONSENT OF SPC TECHNOLOGY. DISCLAIMER: ALL STATEMENTS AND TECHNICAL INFORMATION CONTAINED HEREIN ARE BASED UPON INFORMATION AND/OR TESTS WE BELIEVE TO BE ACCURATE AND RELIABLE. SINCE CONDITIONS OF USE ARE BEYOND OUR CONTROL, THE USER SHALL DETERMINE THE SUITABILITY OF THE PRODUCT FOR THE INTENDED USE AND ASSUME ALL RISK AND LIABILITY WHATSOEVER IN CONNECTION THEREWITH.