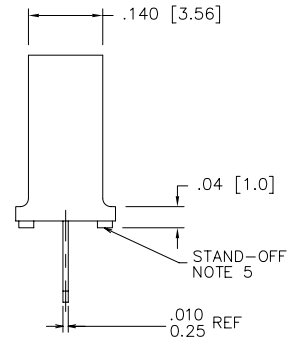
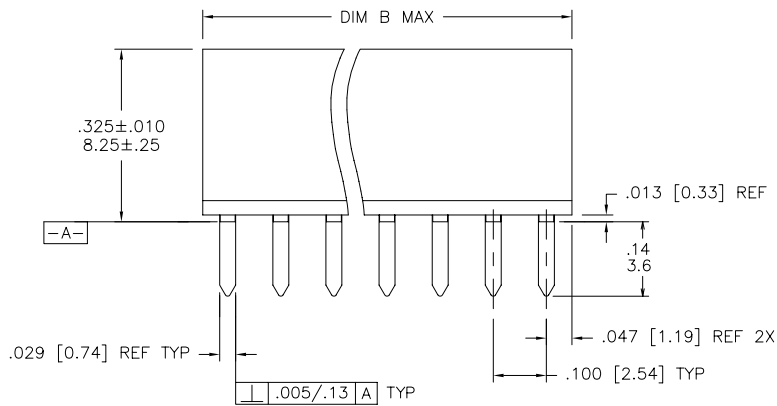
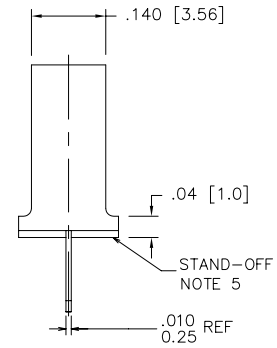
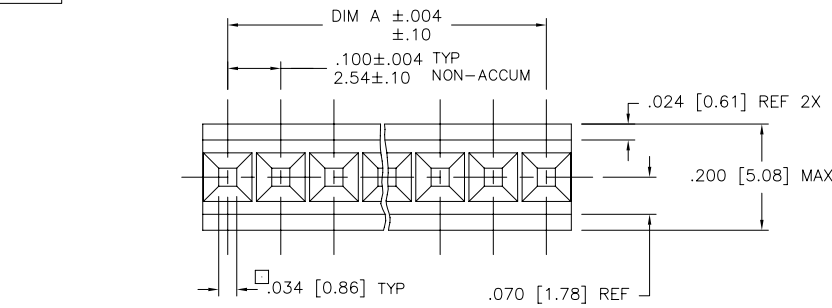


PRODUCT NUMBER
SEE TABLE



mat'l. code		surface	tolerance	projection	product family
NOTES 1 & 2		ISO 1302	ISO 406		CARD CONN
		ISO 1101	ISO 1101		title
ltr	ecn	no	dr	date	tolerances unless otherwise specified
F	V11848	JGS	7/2/91		angles
G	V23245	MRC	10/13/92		linear
H	V70789	MDF	8/14/97	0°±2'	linear
J	V94468	MDF	1/7/00	dr	J.SHREINER 12/11/90
K	M05-0216	ERE	10/11/05	enrg	M.HAHN 12/11/90
L	M06-0210	MHT	6/03/06	chr	M.HAHN 12/11/90
M	M07-0143	ERE	03/03/07	appd	M.HAHN 12/11/90
sheet	revision	M	M	M	M
index	sheet	1	2	3	4
				projection	product family
					CARD CONN
				INCH/MM	title
				scale 4:1	VERTICAL CARD CONNECTOR
					.100/2.54 CTR. SINGLE. ROW
				dwg no	sheet 1 of 4 size
				66951	A3
				type	Product Customer Drawing

PRODUCT NUMBER
SEE TABLE

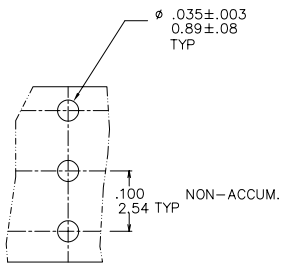


FIG.1
SCALE 5/1

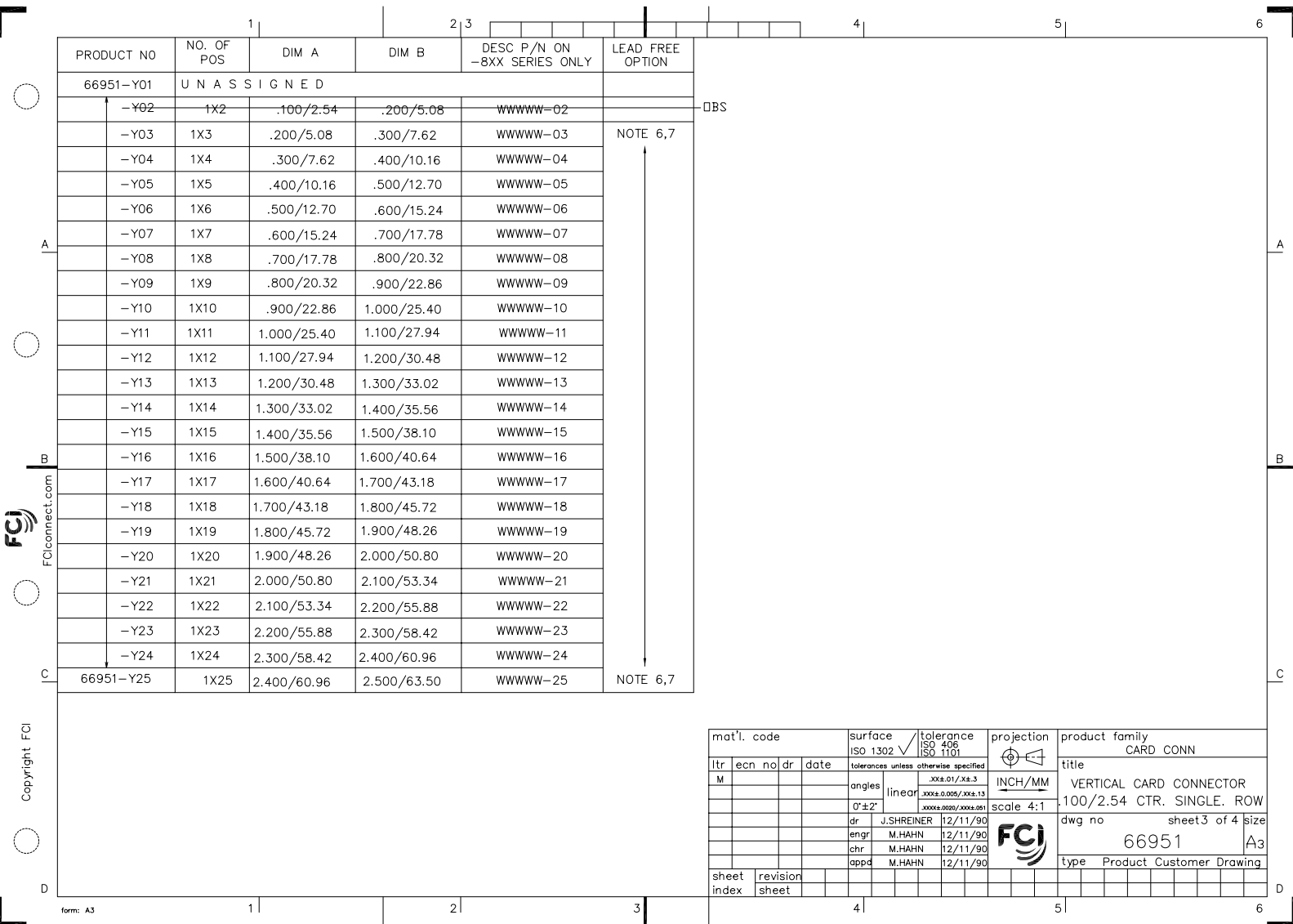
NOTES:

- ① HOUSING MATERIAL: FILLED POLYESTER, FLAME RETARDANT PER UL 94V-0.
COLOR: BLACK.
- ② TERMINAL MATERIAL:
BODY: BRASS
SPRING: BeCu. HEAT TREATED
BODY PLATING: 30u"/.76u Au OVER 50u" /1.27u Ni IN CONTACT AREA.
100u"/2.54u Sn (NOTE 9) OVER 50u" /1.27u Ni ON SOLDER TAIL.
SPRING PLATING: GOLD FLASH
3. MARKED FCI PART NUMBER & DATE CODE LEGIBLE ON TUBE LABEL.
4. APPLICATION INFORMATION.
A. RECOMMENDED MOUNTING HOLE PATTERN IS SHOWN IN FIG. #1.
B. ALL MATING PINS TO BE .025/.64 SQUARE ON TRUE CENTER OF GIVEN TERMINAL SPACINGS WITHIN .015/.38 DIAMETER.
C. SUGGESTED MATING PIN LENGTH, .210 ± .020/5.33 ± .51.
- ⑤ STAND-OFF CONFIGURATION:
BUMP OR RIB AT MANUFACTURERS' OPTION.
- ⑥ ADD "LF" SUFFIX AT THE END OF PART NUMBER FOR LEAD FREE OPTION.
- ⑦ THESE PRODUCTS MEET EUROPEAN UNION DIRECTIVES AND OTHER COUNTRY REGULATIONS AS DESCRIBED IN GS-22-008.
8. THIS PART WILL WITHSTAND EXPOSURE TO 260°C PEAK TEMPERATURE FOR 20 SECONDS IN WAVE SOLDER, INFRA-RED OR VAPOR PHASE SOLDER PROCESS.
- ⑨ "THIS PRODUCT HAS 100% TIN PLATING IN THE INTERFACE AND HAS NOT BEEN TESTED FOR WHISKER GROWTH IN ALL INTERCONNECT ENVIRONMENTS."

mat'l. code		surface	tolerance	projection	product family	
ISO 1302		ISO 1302	ISO 406		CARD CONN	
ISO 1101		tolerances unless otherwise specified			title	
ltr	ecr	no	dr	date	VERTICAL CARD CONNECTOR	
M					.100/2.54 CTR. SINGLE. ROW	
angles		linear	.XX4-01/.XX4-3		dwg no	
0°±2°		.XXXXX.0.005/.204-13		scale 4:1	sheet 2 of 4 size	
dr		J.SHREINER	12/11/90		66951	A3
engr		M.HAHN	12/11/90		type Product Customer Drawing	
chr		M.HAHN	12/11/90			
appd		M.HAHN	12/11/90			
sheet	revision					
index	sheet					

PRODUCT NO	NO. OF POS	DIM A	DIM B	DESC P/N ON -8XX SERIES ONLY	LEAD FREE OPTION	
66951-Y01	U N A S S I G N E D					
-Y02	1X2	.100/2.54	.200/5.08	WWWWW-02	NOTE 6,7	
-Y03	1X3	.200/5.08	.300/7.62	WWWWW-03		
-Y04	1X4	.300/7.62	.400/10.16	WWWWW-04		
-Y05	1X5	.400/10.16	.500/12.70	WWWWW-05		
-Y06	1X6	.500/12.70	.600/15.24	WWWWW-06		
-Y07	1X7	.600/15.24	.700/17.78	WWWWW-07		
-Y08	1X8	.700/17.78	.800/20.32	WWWWW-08		
-Y09	1X9	.800/20.32	.900/22.86	WWWWW-09		
-Y10	1X10	.900/22.86	1.000/25.40	WWWWW-10		
-Y11	1X11	1.000/25.40	1.100/27.94	WWWWW-11		
-Y12	1X12	1.100/27.94	1.200/30.48	WWWWW-12		
-Y13	1X13	1.200/30.48	1.300/33.02	WWWWW-13		
-Y14	1X14	1.300/33.02	1.400/35.56	WWWWW-14		
-Y15	1X15	1.400/35.56	1.500/38.10	WWWWW-15		
-Y16	1X16	1.500/38.10	1.600/40.64	WWWWW-16		
-Y17	1X17	1.600/40.64	1.700/43.18	WWWWW-17		
-Y18	1X18	1.700/43.18	1.800/45.72	WWWWW-18		
-Y19	1X19	1.800/45.72	1.900/48.26	WWWWW-19		
-Y20	1X20	1.900/48.26	2.000/50.80	WWWWW-20		
-Y21	1X21	2.000/50.80	2.100/53.34	WWWWW-21		
-Y22	1X22	2.100/53.34	2.200/55.88	WWWWW-22		
-Y23	1X23	2.200/55.88	2.300/58.42	WWWWW-23		
-Y24	1X24	2.300/58.42	2.400/60.96	WWWWW-24		
66951-Y25	1X25	2.400/60.96	2.500/63.50	WWWWW-25		NOTE 6,7

mat'l. code	surface ISO 1302	tolerance ISO 406 ISO 1101	projection	product family CARD CONN
ltr ecn no dr date	tolerances unless otherwise specified		INCH/MM	title VERTICAL CARD CONNECTOR
M	angles	linear	scale 4:1	.100/2.54 CTR. SINGLE. ROW
	dr J.SHREINER 12/11/90			dwg no 66951 sheet 3 of 4 size A3
	enrg M.HAHN 12/11/90			type Product Customer Drawing
	chr M.HAHN 12/11/90			
	appd M.HAHN 12/11/90			
sheet index	revision sheet			



PRODUCT NO	NO. OF POS	DIM A	DIM B	DESC P/N ON -8XX SERIES ONLY	LEAD FREE OPTION
66951-Y26	1X26	2.500/63.50	2.600/66.04	WWWWW-26	NOTE 6,7
-Y27	1X27	2.600/66.04	2.700/68.58	WWWWW-27	
-Y28	1X28	2.700/68.58	2.800/71.12	WWWWW-28	
-Y29	1X29	2.800/71.12	2.900/73.66	WWWWW-29	
-Y30	1X30	2.900/73.66	3.000/76.20	WWWWW-30	
-Y31	1X31	3.000/76.20	3.100/78.74	WWWWW-31	
-Y32	1X32	3.100/78.74	3.200/81.28	WWWWW-32	
-Y33	1X33	3.200/81.28	3.300/83.82	WWWWW-33	
-Y34	1X34	3.300/83.82	3.400/86.36	WWWWW-34	
-Y35	1X35	3.400/86.36	3.500/88.90	WWWWW-35	
66951-Y36	1X36	3.500/88.90	3.600/91.44	WWWWW-36	



Copyright FCJ

mat'l. code	surface ISO 1302	tolerance ISO 406 ISO 1101	projection	product family CARD CONN
ltr	ecn	no	dr	date
M				
angles		linear		tolerances unless otherwise specified
0°±2"				.XX±.01/.XX±.3 XXXX±.005/.01±.13 XXXX±.005/.004±.061
dr	J.SHREINER	12/11/90	INCH/MM	title
enrg	M.HAHN	12/11/90	scale 4:1	VERTICAL CARD CONNECTOR
chr	M.HAHN	12/11/90	FCJ	.100/2.54 CTR. SINGLE. ROW
appd	M.HAHN	12/11/90		dwg no 66951 sheet 4 of 4 size A3
sheet index	revision sheet			type Product Customer Drawing

form: A3 1 2 3 4 5 6