

INTRODUCTIONS

1. Designed as a general purpose filter with a switch effective EMI suppression for both common and differential mode noise.
2. With optional resistor and 3300pF/1000pF

COMPONENTS

PART NO.	Cx (uF)	L (mH)	Cy (pF)	R (MΩ)	Lg (mH)
03BEEG3G/NG3G	0.1	2.4	2200	1.0	-
03BEEG3GM/NG3GM			-		
03BEEG3GA/NG3GA			2200		0.12
06BEEG3G/NG3G		0.8	2200		-
06BEEG3GM/NG3GM			-		
06BEEG3GA/NG3GA			2200		0.12
10BEEG3G/NG3G		0.3	2200		-
10BEEG3GM/NG3GM			-		
10BEEG3GA/NG3GA			2200		0.12

A: with ground choke
M: medical type

MINIMUM INSERTION LOSS IN dB

COMMON MODE (L-G) IN 50 OHM SYSTEM						
CURRENT RATING	FREQUENCY-MHz					
	.15	.50	1.0	5.0	10	30
3A (G) (A)	20	30	35	35	35	35
3A (M)	20	30	35	20	15	5
6A (G) (A)	10	20	25	35	40	35
6A (M)	10	20	20	20	15	10
10A (G) (A)	5	10	20	30	35	35
10A (M)	5	10	10	15	15	10

DIFFERENTIAL MODE (L-L) IN 50 OHM SYSTEM						
CURRENT RATING	FREQUENCY-MHz					
	.15	.50	1.0	5.0	10	30
3A (G) (A)	4	10	20	35	35	40
3A (M)	5	15	20	30	30	20
6A (G) (A)	4	10	10	35	35	40
6A (M)	4	10	15	25	25	20
10A (G) (A)	5	10	20	30	35	35
10A (M)	4	10	10	20	20	20

MECHANICAL CONSTRUCTION



BENG3G

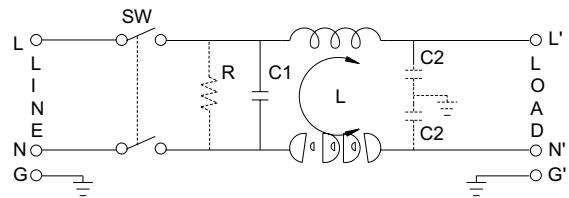


BEEG3G

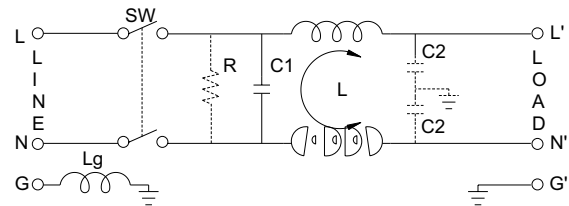
SPECIFICATIONS

1. Maximum leakage current each line-to-ground @ 115VAC 60Hz: 0.25mA @ 250VAC 50Hz: 0.45mA
2. Hipot rating (one minute) line-to-ground: 2250VDC line-to-line: 1450VDC
3. Operating frequency: 50/60Hz
4. Rated voltage: 115/250VAC

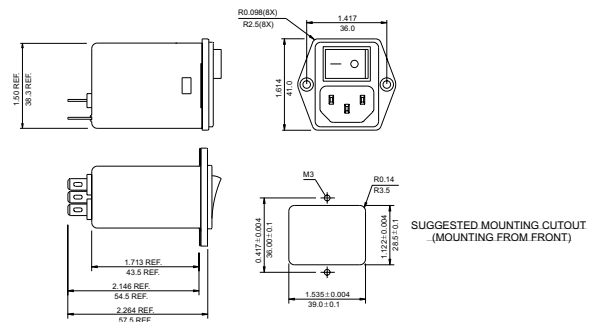
ELECTRICAL SCHEMATIC



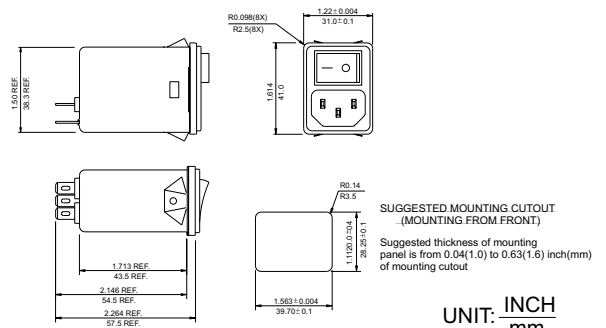
R: OPTION



3GA ONLY



BEEG3G



BENG3G

UNIT: INCH mm