

IEC Appliance Inlet C14, mates to Felcom



Appliance inlet

**Description**

- Component:
  - Snap-in version from front side
- 1 Function Appliance Inlet Protection class I
- For PCB mounting, fits to Felcom

**Approvals**

- CSA File Number: 1901571

**Characteristics**

- Qualified for use in equipment according IEC/EN 60950

**References****Weblinks**

[pdf, General Product Information, Approvals, RoHS, CHINA-RoHS, Mating Connectors, e-Store, SCHURTER-Stock-Check, Distributor-Stock-Check, Accessories](#)

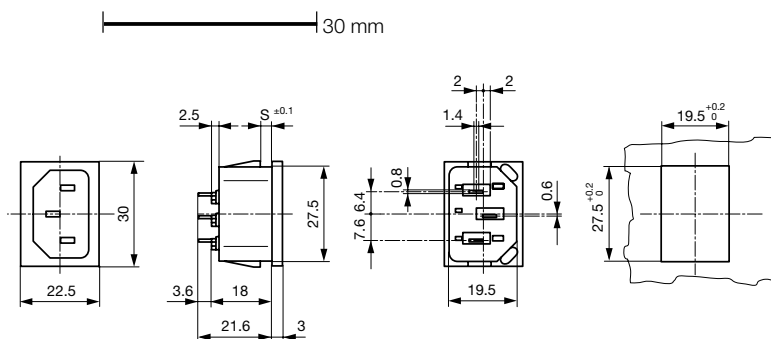
**Technical Data**

Ratings IEC	10 A / 250 VAC; 50 Hz
Ratings UL/CSA	15 A / 125/250 VAC; 60 Hz
Allowable Operation Temp.	-25 °C to 70 °C
Degree of Protection	from front side IP 40 acc. to IEC 60529
Protection Class	Suitable for appliances with protection class 1 acc. to IEC 61140
Terminal	For PCB mounting
Panel Thickness s	Snap-in: 1/1.2/1.5/2/2.5/3 mm
Material: Housing	Thermoplastic, black, UL 94V-0

Appliance Inlet	C14 acc. to IEC/EN 60320-1, UL 498, CSA C22.2 no. 42 (for cold conditions) pin-temperature 70 °C, 10 A, Protection Class 1
-----------------	--

**Dimensions**

Appliance inlet



Appliance inlet

**Variants**

Type	Panel Thickness s [mm]	Line Switch	Fuseholder	Inlet	Outlet	Order Number
Connector	1	-	-	C14	-	6150.5510
Connector	1.2	-	-	C14	-	6150.5512
Connector	1.5	-	-	C14	-	6150.5515
Connector	2	-	-	C14	-	6150.5520
Connector	2.5	-	-	C14	-	6150.5525
Connector	3	-	-	C14	-	6150.5530

**Packaging unit** 50 Pcs

## Mating Outlets/Connectors

## Category / Description



## Appliance Outlet Overview complete

IEC Appliance Outlet F, Screw-on Mounting, Front Side, Solder Terminal	4787
IEC Appliance Outlet F, Snap-in Mounting, Front Side, Solder or Quick-connect Terminal	4788
IEC Appliance Outlet F or H, Screw-on Mounting, Front Side, Solder, PCB or Quick-connect Terminal	5091
IEC Appliance Outlet F or H, Screw-on Mounting, Front Side, Solder or Quick-connect Terminal	5092

## Appliance Outlet further types to 6150



## Connector Overview complete

IEC Connector C15, Rewireable, Straight	0101
IEC Connector C15A, Rewireable, Straight	0102
IEC Connector C15A, Rewireable, Straight	0102-G
IEC Connector C15A, Rewireable, Angled	0112
IEC Connector C13, Rewireable, Angled	4012

## Connector further types to 6150

...



## Power Cord Overview complete

Power Cord with IEC Connector C13, Angled	0311
Power Cord with IEC Connector C13, Angled	3011
Power Cord with IEC Connector C13, Angled	3012
Power Cord with IEC Connector C13, Angled	3013
Power Cord with IEC Connector C13	3020

## Power Cord further types to 6150

...