

4

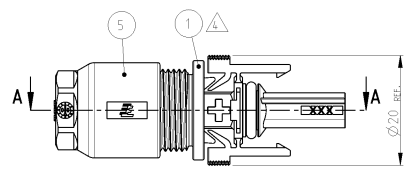
3

2

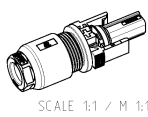
1

RELEASED FOR PUBLICATION
 FOR USE AND REVISIONS
 BY TYCO ELECTRONICS CORPORATION. ALL INTERNATIONAL RIGHTS RESERVED.
 DATE: 25-JAN-02
 PART NO.: 1394462

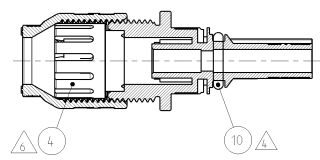
REV. NO.	DATE	DESCRIPTION	BY	APP'D
1	25-JAN-01	DASH NUMBERS AND PACKAGING REVISED	EW	AW
2	20-AUG-01	VARIANTS 6- -3 AND 6- -4 ADDED	EW	AW



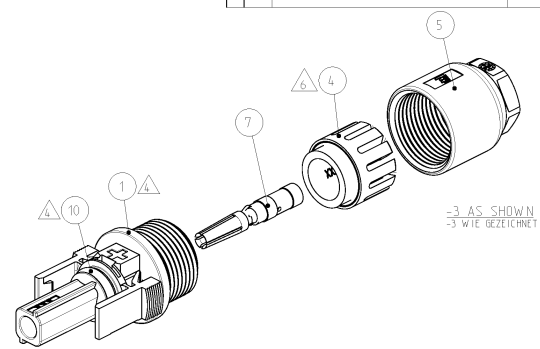
SECTION A-A
 SCHNITT A-A



SCALE 1:1 / M 1:1



-3 PREFASSEMBLED AS SHOWN
 -3 VORASSEMBLERT WIE GEZEICHNET



QTY	POS.	DESCRIPTION	BENENNUNG	MATERIAL
1	14	INSTRUCTION SHEET	VERARBEITUNGSANWEISUNG	-
1	13	PLASTIC BAG	KLARSTOFF-BEUTEL	TRANSPARENT
2	12	ZIP LOCK BAG	WINKER-BEUTEL	TRANSPARENT
1	11	LABEL	STICKET	WHITE
-	10	O-RING 6.7x1.8	O-RING 6.7x1.8	RED
-	9	O-RING 6.7x1.8	O-RING 6.7x1.8	BLUE
1	8	SOCKET CONTACT ASSY HV1, 6mm ² / 10AWG	BUCKENKONTAKT ASSY HV1, 6mm ² / 10AWG	Ag / PLAIN
-	7	SOCKET CONTACT ASSY HV1, 4mm ² / 12AWG	BUCKENKONTAKT ASSY HV1, 4mm ² / 12AWG	Ag / PLAIN
-	6	SOCKET CONTACT ASSY HV1, 2.5mm ²	BUCKENKONTAKT ASSY HV1, 2.5mm ²	Ag / PLAIN
1	5	CABLE SCREW JOINT	KABELVERSCHRAUBUNG	BLACK
-	4	PINCH RING SEAL-IMMOLDED, ASSY	HEMMROB DICHTUNG IMPRIZI, ASSY	BLACK
1	3	PINCH RING SEAL, ASSY	HEMMROB DICHTUNG, ASSY	BLACK
1	2	SOCKET HOUSING MINUS	BUCKENHAUSE MINUS	BLACK
1	1	SOCKET HOUSING PLUS	BUCKENHAUSE PLUS	BLACK

ORDER-NO.
 BESTELL-NR.

DRAWN: 25-JAN-02 CHECKED: 25-JAN-02 DESIGNED: 25-JAN-02 TITLE: PHOTOVOLTAIK CONNECTOR 1 POS. PHOTOVOLTAIK STECKERBINDER 1 POL.	DATE: 25-JAN-02 SCALE: 1:1 SHEET: 1 OF 2 REV: 2
--	--

4

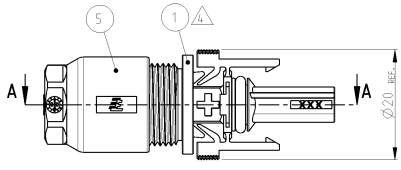
3

2

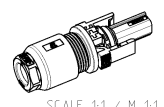
1

RELEASED FOR PUBLICATION
 FOR USE, REPRODUCTION
 BY TYCO ELECTRONICS CORPORATION. ALL INTERNATIONAL RIGHTS RESERVED.
 (C) COPRIGHT 2000

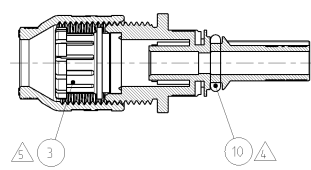
LOC	DIRT	REV	REV LTR	REVISIONS ÄNDERUNGEN BESCHREIBUNG BESCHREIBUNG	DATE	SWN	APFD
A1	-	1	LTR				
PROJECT NO.	DIR BY	0001	SEE SHEET 1				



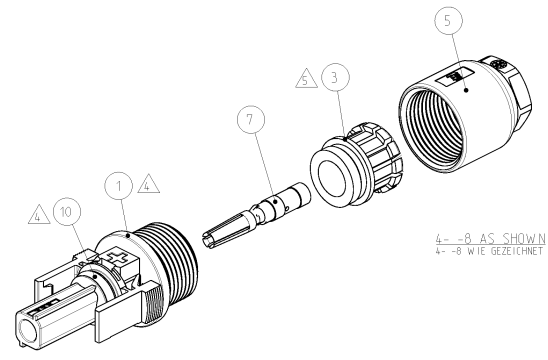
SECTION A-A
 SCHNITT A-A



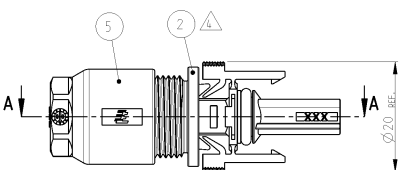
SCALE 1:1 / M 1:1



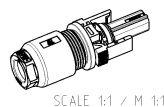
4- -8 PREFASSEMBLED AS SHOWN
 4- -8 VORASSEMBLIERT WIE GEZEICHNET



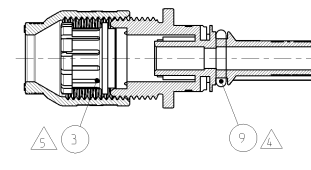
4- -8 AS SHOWN
 4- -8 WIE GEZEICHNET



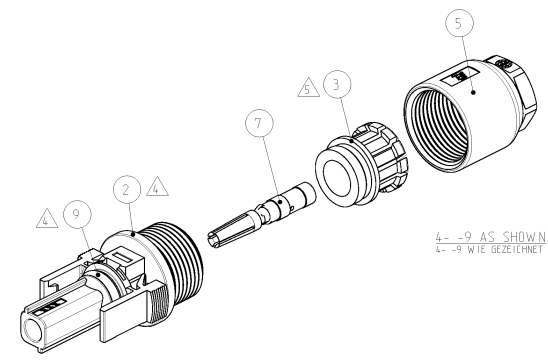
SECTION A-A
 SCHNITT A-A



SCALE 1:1 / M 1:1



4- -9 PREFASSEMBLED AS SHOWN
 4- -9 VORASSEMBLIERT WIE GEZEICHNET



4- -9 AS SHOWN
 4- -9 WIE GEZEICHNET

PHOTOVOLTAIK STECKVERBINDER 1 POS. PHOTOVOLTAIK STECKERBINDER 1 POL.		DWN 05-SEP-00 ZE WERNER 05-SEP-00 PH SCHERER 05-SEP-00 APFD 05-SEP-00	Tyco Electronics Tyco Electronics AMP GmbH D - 64625 Bensheim
MATERIAL FEINSAFBEREICH/FARBE	APPLICATION SPEC DRAWING TONGS/SP T16-18488 REVISION KEIN/KEIN	SCALE A2 CAGE CODE 00779 DRAWING NO. 1394462	DISTRIBUTED TO NUR FÜR - SHEET 3 OF 3 REQ. 2
CUSTOMER DRAWING		KUNDENZEICHNUNG	