

NOTES:

1. MATERIALS AND FINISHES:

BODY - BRASS (ASTM-B16 H02, C36000), NICKEL PLATING
 CONTACT PIN - PHOSPHOR BRONZE, GOLD PLATING
 INSULATOR - PTFE PER ASTM D 1710 OR EQUIV.

2. ELECTRICAL:

A. IMPEDANCE: 50 OHM
 B. FREQUENCY RANGE: DC - 11 GHz

3. MECHANICAL:

A. TEMPERATURE RANGE: -65° C TO +165° C

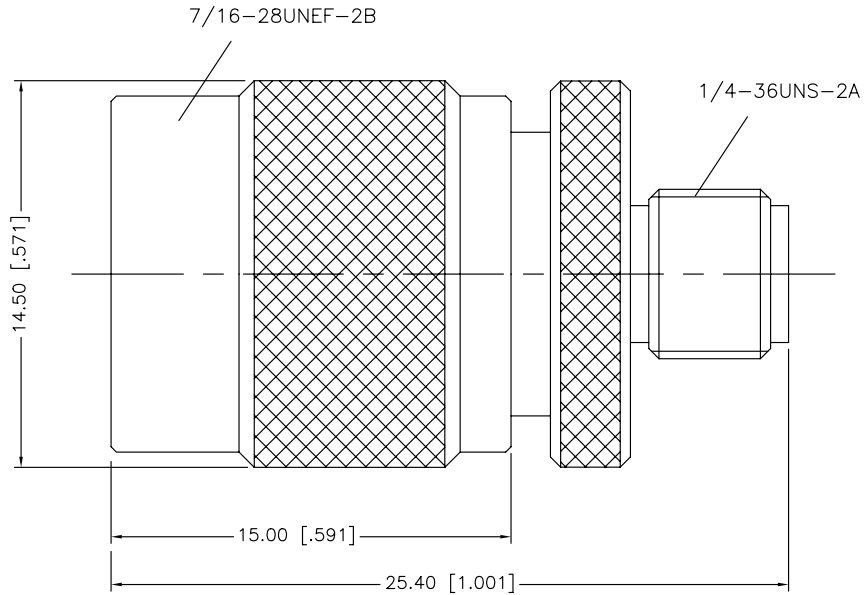
4. PACKAGING:

A. QUANTITY: SINGLE PACK
 B. MARKING: BAG TO BE MARKED
 "AMPHENOL, APH-SMAJ-TNCP, AND DATE CODE

APH-SMAJ-TNCP

REVISIONS

| DRAWING NO. | REV | DESCRIPTION | DATE | ECO | APPR |
|-------------------|-----|-----------------|---------|-------|------|
| THIRD ANGLE PROJ. | A | RELEASE TO MFG. | 9/15/06 | 46271 | CPM/ |



UNLESS OTHERWISE SPECIFIED, DIMENSIONS ARE IN INCHES AND TOLERANCES ARE:
 2 PLACE DECIMAL ±.015 (0,381 mm) 3 PLACE DECIMAL ±.005 (0,127 mm) ANGLES ± 1°

NOTICE - These drawings, specifications, or other data (1) are, and remain the property of Amphenol Corp. (2) must be returned upon request; and (3) are confidential and not to be disclosed to any person other than those to whom they are given by Amphenol Corp. The furnishing of these drawings, specifications, or other data by Amphenol Corp., or to any other person to anyone for any purpose is not to be regarded by implication or otherwise in any manner licensing, granting rights or permitting such holder or any other person to manufacture, use or sell any product, process or design, patented or otherwise, that may in any way be related to or disclosed by said drawings, specifications, or other data.

MATERIAL

DRAWN C. McGRATH DATE 8/21/06
 ENGINEER O. BARTHELMES DATE 8/21/06

TITLE
 SMA FEMALE TO
 TNC MALE ADAPTER

Amphenol
 Amphenol Corporation
 RF/Microwave Operations
 Danbury, Conn. U.S.A. 06810

REFERENCE

APPROVED O. BARTHELMES DATE 9/15/06

SCALE: 2:1 SHEET OF

CAD FILE H:\DEPT611\ASSY\APH\SMAJ-TNCP

CODE ID
 74868

DWG SIZE
 B

DRAWING NO.
 APH-SMAJ-TNCP

ISSUE
 A