

## LITHIUM - Cylindrical Type

Panasonic Cylindrical Lithium Batteries are notable for their high voltage, energy density, durability, and stable operation.



## Features:

- High voltage
- High energy density
- Long shelf life
- Stable operation
- High rate discharge
- Strong leakage resistance
- Excellent durability

## Applications:

- Cameras
- Electrical lock
- Electronic Counter
- Electronic measurement equipment
- Emergency signal light
- Gas safety emergency cutoff system
- Memory back-up
- Utility meters

Technical Data - Table 1 - Cylindrical Type (BR)

Model Number	Nominal Voltage (V)	*Nominal Capacity (mAh)	Dimensions (mm)		Basic Battery Weight (g)	Continuous Drain (mA)	Operating Temp (°C)	
			External Diameter	Height				
<a href="#">BR-C</a>	3	5,000	26.0	50.5	42.0	5.0	-40 ~ +85	
<a href="#">BR-A</a>	3	1,800	17.0	45.5	18.0	2.5	-40 ~ +85	
<a href="#">BR-1/2AA</a>	3	1,000	14.5	25.5	8.0	2.5	-40 ~ +100	
<a href="#">BR-2/3A</a>	3	1,200	17.0	33.5	13.5	2.5	-40 ~ +85	
* <a href="#">BR-AG</a>	3	2,200	17.0	45.5	18.0	2.5	-40 ~ +85	
* <a href="#">BR-2/3AG</a>	3	1,450	17.0	33.5	13.5	2.5	-40 ~ +85	

\*Nominal capacity is based on standard drain and cutoff voltage down to 2.0V at 20°C (68°F)

### Technical Data - Table 2 - Tab Configurations and Distributor Inventory

Model No.	Drawing	
BR-1/2AAE2P	Tabs for PCB mounting. 2 Pins Positive 1 Pin Negative	
BR-1/2AAE5P	Tabs for PCB mounting. 1 Pin Positive 1 Pin Negative	
BR-2/3AT2SP	12 mm tabs for adding lead wires	
BR-2/3AGT2SP	12 mm tabs for adding lead wires	
BR-2/3AE5SP	Tabs for PCB mounting. 1 Pin Positive 1 Pin Negative	
BR-2/3AGE5SP	Tabs for PCB mounting. 1 Pin Positive 1 Pin Negative	
BR-2/3AE2SP	Tabs for PCB mounting. 2 Pins Positive 1 Pin Negative	
BR-2/3AGE2SP	Tabs for PCB mounting. 2 Pins Positive 1 Pin Negative	
BR-AT2P	12 mm tabs for adding lead wires	
BR-AGT2P	12 mm tabs for adding lead wires	
BR-AE2P	Tabs for PCB mounting. 1 Pin Positive 1 Pin Negative	
BR-AGE2P	Tabs for PCB mounting. 1 Pin Positive 1 Pin Negative	
BR-CT2P	12 mm tabs for adding lead wires	

# Poly-carbonmonofluoride Lithium Batteries (BR series)

## TAB CONFIGURATIONS

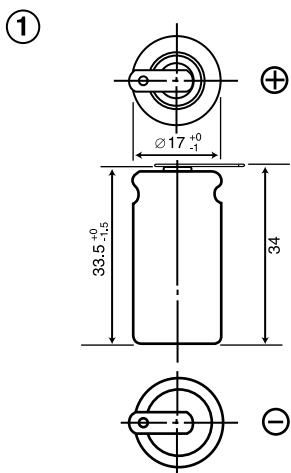
Bare Cell Model No.	Tab Type	Description	Configuration Diagram No.	Nominal	
				Voltage (V)	Capacity (mAh)
BR-2/3A	BR-2/3AT2SP	12 mm tabs for adding lead wires	1	3	1200
BR-2/3AG	BR-2/3AGT2SP*				1450
BR-2/3A	BR-2/3AE5SP	Tabs for PCB mounting. 1 Pin Positive 1 Pin Negative	2	3	1200
BR-2/3AG	BR-2/3AGE5SP*				1450
BR-2/3A	BR-2/3AE2SP	Tabs for PCB mounting. 2 Pins Positive 1 Pin Negative	3	3	1200
BR-2/3AG	BR-2/3AGE2SP*				1450
BR-1/2AA	BR-1/2AAE5P	Tabs for PCB mounting. 1 Pin Positive 1 Pin Negative	4	3	1000
BR-1/2AA	BR-1/2AAE2P	Tabs for PCB mounting. 2 Pins Positive 1 Pin Negative	5	3	1000
BR-A	BR-AT2P	12 mm tabs for adding lead wires	6	3	1800
BR-AG	BR-AGT2P*				2200
BR-A	BR-AE2P	Tabs for PCB mounting. 1 Pin Positive 1 Pin Negative	7	3	1800
BR-AG	BR-AGE2P*				2200
BR-C	BR-CT2P	12 mm tabs for adding lead wires	8	3	5000

\* Please contact Panasonic for availability on optional items. Optional items may be subject to minimum order quantities.

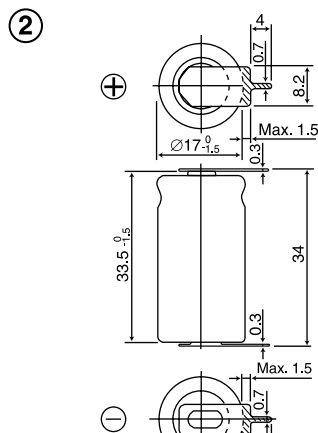
# BR Series Cylindrical Cell Tab Configurations

## DIMENSIONS / MM

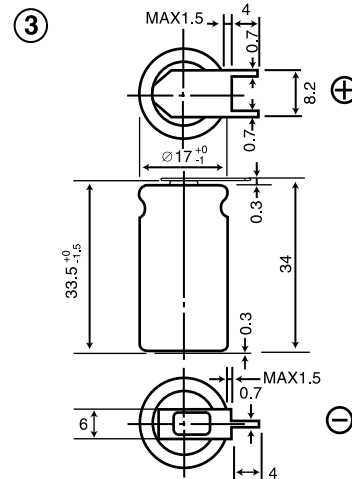
### Dimensions/mm



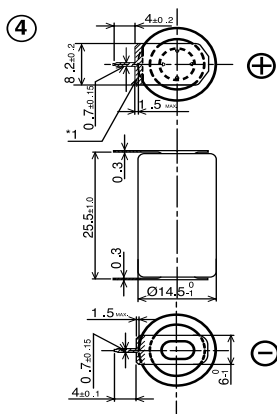
BR-2/3AT2SP  
BR-2/3AGT2SP\*



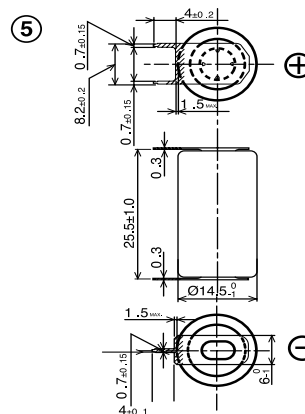
BR-2/3AE5SP  
BR-2/3AGE5SP\*



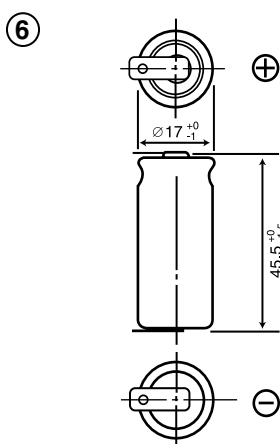
BR-2/3AE2SP  
BR-2/3AGE2SP\*



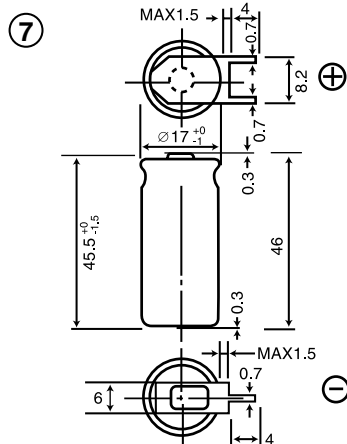
BR-1/2AAE5P



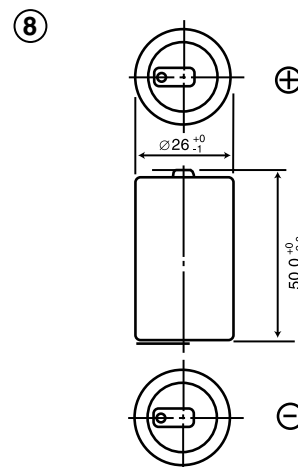
BR-1/2AAE2P



BR-AT2P  
BR-2/3AGT2P\*



BR-AE2P  
BR-AGE2P\*



BR-CT2P

\* Please contact Panasonic for availability on optional items. Optional items may be subject to minimum order quantities.