


Home > 8602R01002

Part Number: **8602R01002**

General Description

Color	 Red
Series	860
Configuration	Side Light Dual
Description	HAZARDOUS LOCATION, CLASS 1, DIV 2, RED LED OBSTRUCTION LIGHT
Features	Can be operated steady or flashed
Weight	16.06 lbs.
Compliance	ICAO
Certified To	FAA, CAR 621.9, ATEX, equipment group II (surface industries), category 3 (zone 2), T4 rated
Lens Material	Aluminum Housing and Stainless Steel Hardware
Voltage	120 VAC
Operating Temperature	-55 +55



8602R01002



Dialight

HAZARDOUS LOCATION LED OBSTRUCTION LIGHT



ETL Listed in compliance with UL1598 and UL844
for use in Class 1, Div 2 Hazardous Locations

Certified to: FAA AC NO: 150/5345-43F
Canadian Aviation Regulation CAR 621.9
(Transport Canada)

ATEX, equipment group II (surface
industries), category 3 (zone 2), T4 rated

Compliant to: ICAO
(Annex 14 - Fourth Edition, July 2004)

FEATURES / BENEFITS

- ▲ Suitable for all Class 1, Div 2, Groups A, B, C, D hazardous environments, T4 rated
- ▲ Available as a single or dual unit
- ▲ ATEX certified, equipment group II (surface industries), category 3 (zone 2), T4 rated
- ▲ Unique optically designed lens to enhance LED operation and provide 360° visibility
- ▲ Lasts years longer than an incandescent
- ▲ Weather/corrosion resistant lamp assembly and housing
- ▲ Self-contained wiring compartment eliminates additional boxes
- ▲ Threaded 1" and 3/4" bottom hub for mounting
- ▲ Can be operated steady or flashed (controller not supplied)
- ▲ 5 year warranty
- ▲ Resistant to shock and vibration
- ▲ IP 65 / IP 66 / NEMA 4X rated

US PATENT # 6,425,678



Ex nA IIC T4

APPLICATION

- ▲ The Dialight L-810 Obstruction Light is an LED BASED Class 1, Division 2 certified fixture. Used for obstruction marking of structures in hazardous environments, providing a valuable solution to the petrochemical industry facilities.

OPERATING CONDITIONS

- ▲ The fixture is designed for severe duty conditions and hazardous environments
- ▲ Temperatures ranging from -67°F to +131°F (-55°C to +55°C). Will withstand wind in excess of 150 mph (240 kph), salt fog.

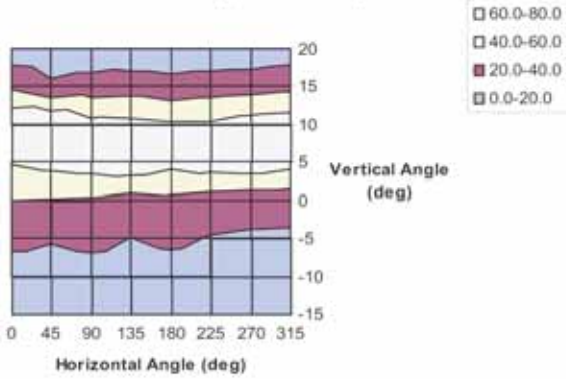
MATERIALS / FINISH

- ▲ Cast aluminum housing and stainless steel hardware.
- ▲ Electro-statically applied powdercoat of aviation orange paint.

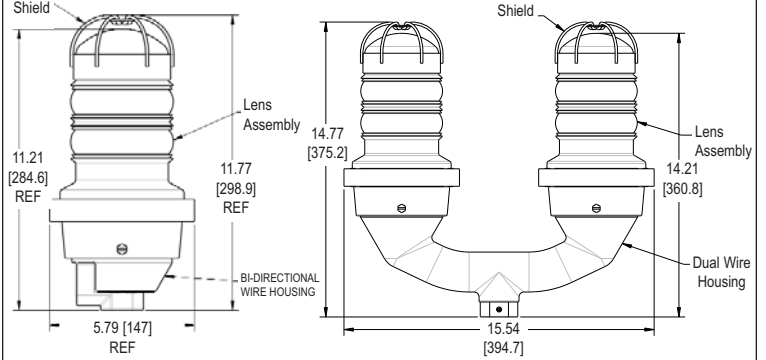


PHOTOMETRIC DATA

L810 Isotropic Intensity Chart



MECHANICAL DIMENSIONS



Dimensions are in inches [mm]

ORDERING INFORMATION

Single Units

Part Number	Volts
860-2R01-001 (Class 1, Div 2)	120VAC
860-2R02-001 (Class 1, Div 2)	240VAC

Dual Units

Part Number	Volts
860-2R01-002 (Class 1, Div 2)	120VAC
860-2R02-002 (Class 1, Div 2)	240VAC

Replacement Light Assemblies

Part Number	Volts
860-2R01 (Class 1, Div 2)	120VAC
860-2R02 (Class 1, Div 2)	240VAC

WEIGHTS & MEASUREMENTS

PART NUMBER	APPROX. SHIPPING WEIGHT	CONTAINER DIMENSIONS
Single Unit	7.14 lbs	16" x 9" x 8"
Dual Unit	16.06 lbs	22" x 17" x 9"

ELECTRICAL SPECIFICATIONS

	PF	VA	OPERATING VOLTAGE	WATTS (W)		
				MIN	YP	MAX
120VAC UNITS	.3	44	120	10	14.5	17.5
230VAC UNITS (50Hz)	.2	67	230	13	15	17
240 VAC UNITS (60Hz)	.2	67	240	13	16	19