

- Large Flow Capacity - Cv 0.25
- Compact Size - width 0.73" × length 2.67"
- Low Power Consumption  
4WDC (Standard model)  
2WDC (Low wattage model)
- Vacuum Application Possible
- High Speed Response (10ms)

Model

Body Style	Model	Action	Operating pressure range	Port size	Cv factor	Weight	
Body ported (with bracket)	NVKF332	2 position single solenoid	0~100 PSI (0~0.7 MPa)	10-32 Nom. (M5)	0.2	0.181 lbs (80 gf)	
	NVKF332Y (Low wattage: 2WDC)				0.15		
	NVKF332V (Vacuum)		1 Torr~100 PSI (-100 KPa~0.7 MPa)		0.2		
	NVKF332W (Low wattage + Vacuum)				0.15		
Body ported (for manifold)	NVKF333		0~100 PSI (0~0.7 MPa)				0.2
	NVKF333Y (Low wattage: 2WDC)				0.15		
	NVKF333V (Vacuum)		1 Torr~100 PSI (-100 KPa~0.7 MPa)				0.2
	NVKF333W (Low wattage + Vacuum)				0.15		
Base mounted	NVKF334		0~100 PSI (0~0.7 MPa)	1/8 NPTF	0.25	0.271 lbs (120 gf)	
	NVKF334Y (Low wattage: 2WDC)				0.15		
	NVKF334V (Vacuum)		1 Torr~100 PSI (-100 KPa~0.7 MPa)		0.25		
	NVKF334W (Low wattage + Vacuum)				0.15		

Specifications

Model	Direct operated 2 position single solenoid
Structure	Poppet valve
Fluid	Air or Inert gas
Operating pressure range	0~100 PSI (0~0.7 MPa)
Ambient and fluid temperature	Max. 120°F (50°C)
* Response time	10ms or less (Std.) (Y, W types: 15ms)
Max. operating frequency	600 cpm
Manual override	Non-locking push type
Lubrication	Not required
Mounting position	Free
Impact / vibration resistance	30G / 5G (83~2000Hz)
Protection structure	Dust proof

\* At rated voltage and without light surge voltage suppressor.

Solenoid Specifications

Electrical entry		Grommet (G), DIN Connector (D)	
Rated voltage *	AC	110V <sup>50/60</sup> HZ, 220V <sup>50/60</sup> HZ, 100V <sup>50/60</sup> HZ, 200V <sup>50/60</sup> HZ	
	DC	12V, 24V	
Allowance voltage range		±10% rated voltage	
Coil insulation		Class B or equivalent	
* Temperature rise		130°F or less (Standard) 95°F or less (Low power consumption)	
* Apparent power	AC	Standard	Inrush 8VA / 60Hz, 9.5VA / 50Hz Holding 5VA / 60Hz, 7VA / 50Hz
		Continuous duty	Inrush 3.3VA / 60Hz, 3.5VA / 50Hz Holding 2.8VA / 60Hz, 3VA / 50Hz
	DC	Without light	4W (Standard), 2W (Low power consumption Y, W types)
		With light	4.3W (Standard), 2.3W (Low power consumption Y, W types)
Surge voltage suppressor		AC: Resistor DC: Diode	
Indicator light		AC: Neon lamp DC: LED	

\* When applied at rated voltage.  
\* Contact SMC for availability.

**\* Voltage**

3	110VAC <sup>50/60</sup> Hz
4	220VAC <sup>50/60</sup> Hz
5	24VDC
6	12VDC
*9	Others <sup>Note1)</sup>

\* Special order  
 Note1) Indicate in parentheses at end of part #  
 Ex. (AC24V)

**Electrical entry**

<b>G</b>	Grommet Lead wire length: 12inch (300mm)
<b>D</b>	DIN connector

\* (H) Grommet type with 24 inch leads is also available. Special order only.

**Port size**

<b>M5</b>	10-32 Nom. (M5)
<b>01T</b>	1/8 NPTF (A port only)

**Part no. of option**

Description	Part no.	Note
Bracket	VKF300-13A-1	With screw
Manifold gasket	VKF300-11A-2	Body ported With screw
	VKF300-11A-1	Base mounted With screw

**Body ported**

**NVKF332**



**Body ported**

**NVKF333**



**Base mounted**

**NVKF334**



**Valve option**

-	(Standard)
<b>V</b>	Vacuum
<b>*Y</b>	Low power consumption
<b>*W</b>	Vacuum· Low power consumption

\* Special order

**Port size**

-	Without subplate
<b>01T</b>	1/8 NPTF subplate

**Indicator light / Surge voltage suppressor**

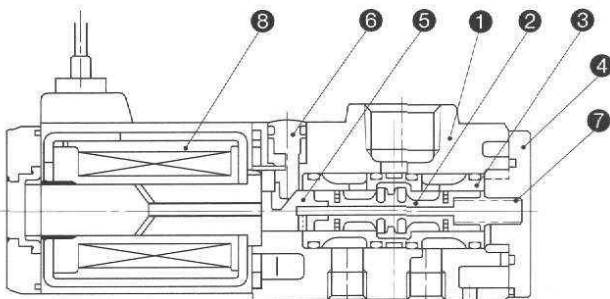
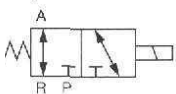
-	None
<b>*S</b>	With surge voltage suppressor
<b>Z</b>	With indicator light and surge voltage suppressor (D type only)

\* Z option is not available with grommet.

\* Special order

**Construction / Parts List**

Symbol



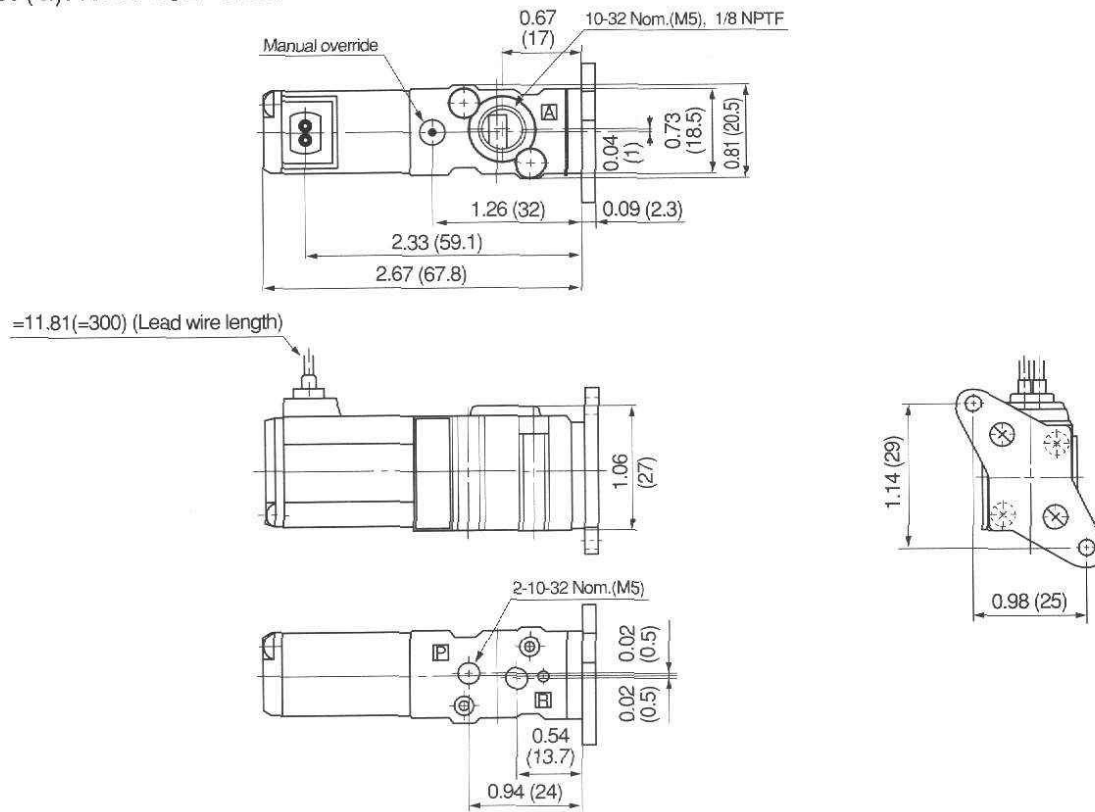
**Main Parts**

No.	Description	Material	Note
①	Body	Aluminum	
②	Spool valve ass'y		
③	Sleeve ass'y		
④	End plate	Resin	
⑤	Manual guide	Resin	
⑥	Manual override ass'y		
⑦	Return spring	Stainless steel	
⑧	Coil ass'y		

Body Ported

inch (mm)

Ørommet (G): NVKF332-\*G-M5



Base Mounted

inch (mm)

Ørommet (G): NVKF334-\*G-01T

