

Basic Rack PDU

Rack PDU, Basic, Zero U, 20A, 120V, (14)5-15



APC Basic Rack PDU , Input: 120V , Input Connections: NEMA L5-20P , Cord Length: 12 feet (3.66 meters) , Output: 120V , Output Connections: NEMA 5-15R

Includes: Rack Mounting brackets, Toolless Mounting Kit, User Manual

Standard Lead Time: Usually in Stock

AP9551 Features

Toolless Mounting Capabilities

Units do not require additional tools to mount into APC NetShelter VX, which allows the users to quickly and easily mount units in the rear of the enclosure.

Vertical Mounting Capabilities

Easily mounts vertically in racks or enclosures and occupies zero U of valuable rack space, which allows more equipment in the rack. Units that mount vertically are optimized to fit in a NetShelter VX enclosures.

Basic Rack PDU Features & Benefits

Agility

Rack-Mountable Includes horizontal, vertical, and toolless-mount varieties. Puts power where it is needed most - in the racks near the equipment.

Single input power source Supply power from one branch whip to multiple pieces of equipment, conveniently powering rack-mount equipment. Saves time and money during installation by using one branch whip and standard connections.

Wide range of input and output connections Product family includes a variety of input and output connections to distribute 120V, 208V, or 230V power to multiple outlets. Having a variety of inputs and outputs allow users to adapt to varying power requirements. APC offers units that bring up to 14.4kW using a single branch whip.

Total Cost of Ownership

Low Cost Power Distribution Provides a number of outlets to bring power to rack equipment at an affordable price.

Output

Nominal Output Voltage	120V
Maximum Total Current Draw per Phase	20A
Output Connections	(14) NEMA 5-15R
Always on Outlets	14
Overload Protection	Yes



Input

Nominal Input Voltage	120V
Input Frequency	50/60 Hz
Regulatory Derated Input Current (North America)	16A
Input Connections	NEMA L5-20P
Cord Length	3.66 meters
Number of Power Cords	1
Acceptable Input Voltage	90-132 VAC
Maximum Line Current per phase	20A
Maximum Input Current per phase	20A
Load Capacity	2400 VA



Physical

Net Weight	2.20 KG
Maximum Height	620.00 mm
Maximum Width	44.00 mm
Maximum Depth	44.00 mm
Shipping Weight	2.92 KG
Shipping Height	648.00 mm
Shipping Width	178.00 mm
Shipping Depth	152.00 mm
Color	Black
Units per Pallet	100.00

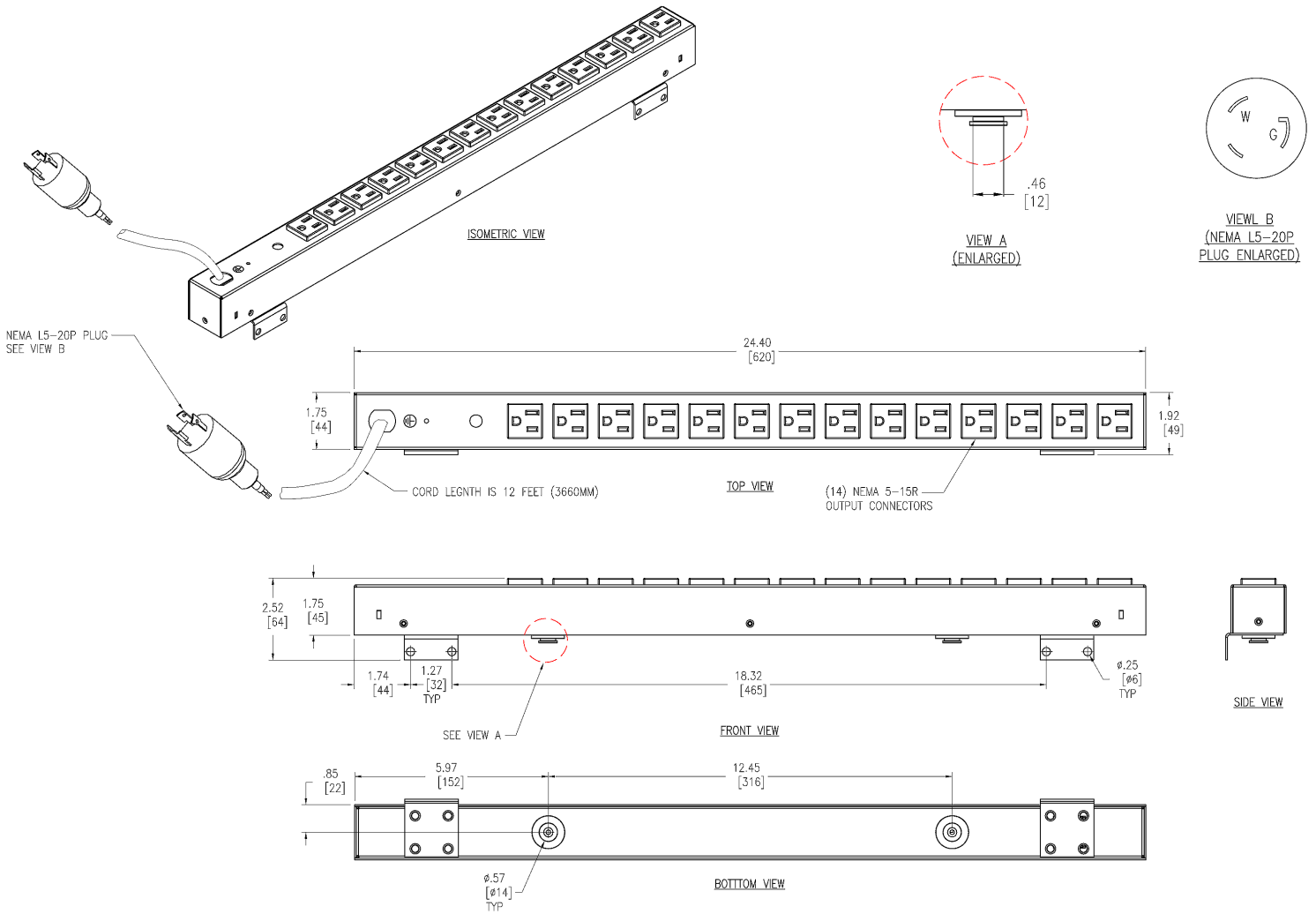
Environmental

Operating Environment	0 - 45 °C
-----------------------	-----------

Operating Relative Humidity	0%
Operating Elevation	0-3000 meters
Storage Temperature	-25 - 65 °C
Storage Relative Humidity	0%
Storage Elevation	0-15000 meters

Conformance

Regulatory Approvals	cUL Recognized,CSA,UL 1363,UL Recognized
Standard Warranty	2 years repair or replace



NOTES:

1. INSTALLATION SHALL COMPLY WITH ALL APPLICABLE NATIONAL, STATE, AND LOCAL CODES.
2. PLEASE REFER TO PRODUCT DOCUMENTATION FOR FURTHER INFORMATION.
3. ALL DIMENSIONS ARE IN INCHES [MILLIMETERS].
4. NET WEIGHT IS 4.82 LBS, [2.19 kg].
5. BRACKET KITS TO MOUNT TO SPECIFIC COMPETITORS RACKS ARE AVAILABLE AS OPTIONS.

THIS DRAWING AND SPECIFICATIONS HEREIN ARE THE PROPERTY OF AMERICAN POWER CONVERSION AND SHALL NOT BE COPIED, REPRODUCED OR USED IN WHOLE OR IN PART, AS THE BASIS FOR THE MANUFACTURE OR SALE OF ITEMS WITHOUT WRITTEN PERMISSION FROM APC. THIS DRAWING IS BASED UPON LATEST AVAILABLE INFORMATION AND IS SUBJECT TO CHANGE WITHOUT NOTICE.



TITLE: RACK, PDU, BASIC, OU
 INPUT: 208V, 16A, NEMA L5-20P
 OUTPUT: 120V, (14) NEMA 5-15R
 MAIN MECHANICAL

PROJECT: SUBMITTAL DRAWINGS SHEET 1 OF 1

DWG NO:	AP9551	REV:	0
DRAWN:	B ZAHN	THIRD ANGLE PROJECTION	
ENGINEER:	Y JIANG/T HORSTMANN		
APPROVED:	B SHERIDAN/E SILVA		



Basic Rack PDU

Overview

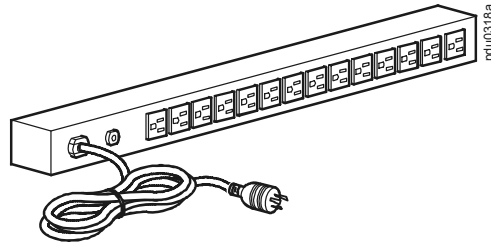
The American Power Conversion (APC®) Basic Power Distribution Unit (PDU) distributes power to devices in the rack.

Outlets. The Rack PDU has fourteen (14) NEMA 5-15R outlets.

Power cord. The 12-foot (3.66-meter) power cord terminates with a NEMA L5-20P plug.

Circuit breaker. When the button is raised, the circuit breaker has tripped and the Rack PDU is overloaded, and at least one piece of equipment needs to be unplugged. The circuit breaker is rated to trip at 20 A.

AP9551





Specifications

Electrical

Input connector	NEMA L5-20P plug
Output connectors	Fourteen (14) NEMA 5-15R outlets
Nominal input voltage	120 Vac
Acceptable input voltage	±10% of nominal
Input frequency	50/60 Hz

Physical

Dimensions (H x W x D)	61.97 x 4.44 x 4.44 cm (24.40 x 1.75 x 1.75 in)
Shipping dimensions (H x W x D)	63.81 x 16.82 x 14.60 cm (25.13 x 6.63 x 5.75 in)
Weight	2.19 kg (4.82 lb)
Shipping weight	2.90 kg (6.40 lb)

Environmental

Maximum elevation (above MSL)	
Operating	0 to 3 000 m (0 to 10,000 ft)
Storage	0 to 15 000 m (0 to 50,000 ft)
Temperature	
Operating	0 to 45°C (32 to 113°F)
Storage	-25 to 65°C (-13 to 149°F)
Humidity	
Operating	0 to 95% RH, non-condensing
Storage	0 to 95% RH, non-condensing

Compliance

Safety approvals	UL/cUL Recognized, UL 1363, CAN/C22.2 No. 21-M90
------------------	--

© 2007 American Power Conversion. All rights reserved. All APC trademarks are property of American Power Conversion. Other trademarks are property of their respective owners.



990-6050C