



Part Number
Key Word



Site Search

TOP

NEWS RELEASE

CONNECTORSEARCH

CATALOG

SAMPLE

STOCK CHECK

[TOP](#) > [KX14-50K2D-RE](#)

Product List

Product Name	KX14-50K2D-RE
Series Name	KX14/KX15 Series
Contact spacing (mm)	0.8
Number of contacts	50
Number of rows	2
Plug/Receptacle	Receptacle
PCB mounting method	Soldering
Surface mounting flag	TRUE
PCB side connector styles	Straight
PCB mounted height (mm)	3.55
Finish of contact in connecting area	Gold over Nickel
Plating thickness of contact in connecting area (micrometer)	0.1

Finish of contact in PCB mounting area	Gold flash over Nickel
Material of insulator	Glass-filled LCP
Material of contact	Copper alloy
Existence of mismatching prevention key	Yes
Existence of positioning boss	Yes
Existence of hold-down	Yes
Existence of hook-pin	None
Remarks	
Related Documents	 131Kbytes
Pair	KX15-50K2DE KX15-50K3DE KX15-50K4DE KX15-50K8D-E650E KX15-50KLDLE KX15-50KLDP-E1000E KX15-50KLNL

Notice:

1. The values specified in this web site are only for reference. The products and their specifications are subject to change without notice. Contact our sales staff for further information before considering or ordering any of our products.
For purchase, a product specification must be agreed upon.
2. Users are requested to provide protection circuits and redundancy circuits to ensure safety of the equipment, and sufficiently review the suitability of JAE's products to the equipment.

3. The products presented in this web site are designed for the uses recommended below. We strongly suggest you contact our sales staff when considering use of any of the products in any other way than the recommended applications or for a specific use that requires an extremely high reliability.

(1) Applications that require consultation:

- (i) Please contact us if you are considering use involving a quality assurance program that you specify or that is peculiar to the industry, such as:
Automotive electrical components, train control, telecommunications devices (mainline), traffic light control, electric power, combustion control, fire prevention or security systems, disaster evention equipment, etc.
- (ii) We may separately give you our support with a quality assurance program that
you specify, when you think of a use such as :

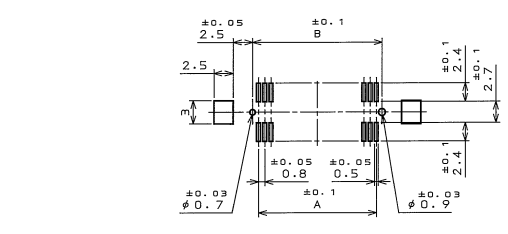
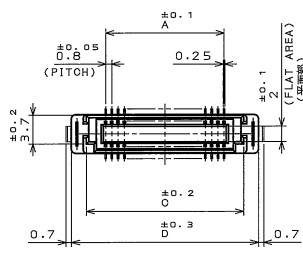
Aviation or space equipment, submarine repeaters, nuclear power control systems, medical equipment for life support, etc.

(2) Recommended applications include:

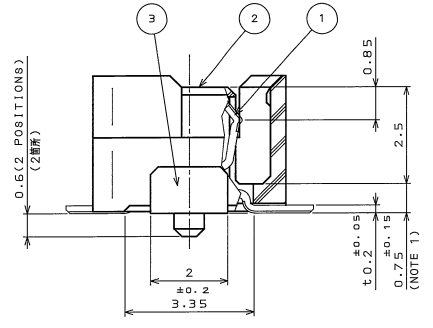
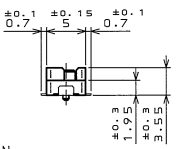
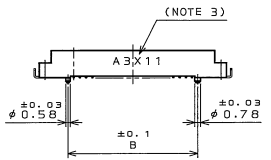
Computers, office appliances, telecommunications devices (terminals, mobile units), measuring equipment, audiovisual equipment, home electric appliances, factory automation equipment, etc

SJ102221
(ON SHIMVH9D) (各等型図)

原数 REV.	年月日 DATE	DCN NO.	変更内容 DESCRIPTION	製図 DR.	担当 CHK.	承認 APPD.	承認 APPD.



APPLICABLE P.C.B. DIMENSION (REF.)
適合基板寸法 (参考)



MATED CONDITION (REF.)
嵌合状態図 (参考)

DESIGNATION
命名法

K X 14 - * * K 2 D - R E

SERIES PREFIX シリーズ
14: RECEPTACLE
15: PLUG
14+1: レセプタクル
15+1: プラグ

NUMBER OF CONTACTS 芯数

(LEAD FREE) TIN ALLOY 無鉛はんだ合金 (無鉛)
MODIFICATION CODE
モディファイコード

MOUNT D: WITH POSITIONING BOSS, WITH HOLD-DOWN
E: WITH POSITIONING BOSS, WITHOUT HOLD-DOWN
マウント形状 D: 位置決めボス付 ホールドダウン有
E: 位置決めボス付 ホールドダウン無

STACKING HEIGHT PER ONE SIDE, KX** (NOTE 2)
平行配列高さ

N: WITHOUT MISMATING PREVENTION KEY
K: WITH MISMATING PREVENTION KEY
N: 遊嵌防止キイ無
K: 遊嵌防止キイ有

NOTE 1. COPLANARITY: 0.1mm MAX.
2. STACKING HEIGHT = HEIGHT OF KX14 (RECEPTACLE) + HEIGHT OF KX15 (PLUG)
EX.: KX14-**K2, KX15-**K2 → 4mm+2H2
3. PRODUCTION LOT NUMBER AS INDICATED.
(EX.) A 3 X 1 1

LOT NUMBER OF CURRENT MONTH
MONTH (1 TO 9 FOR JAN. TO SEPT., RESPECTIVELY, OCT., NOV., DEC., 10)
YEAR (LAST DIGIT ONLY)

MANUFACTURER CODE

注1. 芯子の平行度は 0.1mm 以下。
2. KX14 (レセプタクル) の数と KX15 (プラグ) の数とは必ず等しい。
3. 図示の面に「D」の芯子番号を添付する。
(例) A 3 X 1 1
月の芯子番号
年表示: 1~9 (10月: 0, 11月: X, 12月: Y)
年表示 (四桁表示)
製造コード

TABLE 1 DIMENSION
表1 寸法

NO. OF CONTACT 芯数	A	B	C	D
40	15.2	16.7	20.3	24
50	19.2	20.7	24.3	28

TABLE 2 CONTACT FINISH
表2 仕上

CONTACT AREA 接点部仕上	TERMINAL AREA 端子部仕上
GOLD (TO 12μ MIN) OVER NICKEL W/ SAUND. 1μMBE	GOLD FLASH OVER NICKEL R/ 1.5μMBE

符号 NO.	名称 DESCRIPTION	個数 QTY.	材料 MATERIAL	仕上 FINISH	備考 REMARKS
3	HOLD DOWN	2	COPPER ALLOY	(LEAD FREE) REFLOW TIN PLATING	
2	INSULATOR	1	GLASS FILLED LCP		COLOR : BLACK
1	CONTACT	TABLE 1	COPPER ALLOY	TABLE 2	
仕様番 (SPECIFICATION)		第1版 (ORIGINAL DATE)		尺取 (SCALE)	シリーズ (SERIES)
JAOS-1401-*		5.Nov.2004		2:1	KX
製造 DR.		製造 DR.		名称 (TITLE)	
R.KATOU		R.KATOU		KX14-**K2D-RE	
承認 APPD.		承認 APPD.		RECEPTACLE	
M. Kamura		S. Kashiwagi		質量 (MASS)	
寸法 (DIMENSION) 角度 (ANGLES)		公差 (TOLERANCE)		図面番号 (DRAWING NO.)	
. ±0.8 X° ±		. ±0.8 X° ±		SU102221	
. X ±0.4 X° ±		. X ±0.4 X° ±		原数 (REV.)	
. XX ±0.1 .XXX ±		. XX ±0.1 .XXX ±		1	

DDF-0-212E (03.08)



LEAD FREE この製品は鉛フリー品です

JAE CONNECTOR DIV. PROPRIETARY.
COPYRIGHT (C) 2004, JAPAN AVIATION ELECTRONICS INDUSTRY, LTD.

SIZE A3