

ENM Counting Instruments > Electrical Counters > E6B Electrical Counter - Two-Hole Panel Mount > T14 DC Powered Hour Meter II. > T14 DC Powered Hour Meter I. > T18 AC Powered Hour Meter III. > T18 AC Powered Hour Meter II. > T32 AC/DC DIN Rail Mount Hour Meter > T40 Quartz DC Hour Meter > T40 3-Hole Quartz DC Hour Meter > T40 Square Mount Quartz DC Hour Meter II. > T41 Quartz DC Hour Meter II. > T41 Quartz DC Hour Meter I. > T50 Quartz AC Hour Meter I. > T50 Quartz AC Hour Meter II. > T50 Square Mount Quartz AC Hour Meter - Brushed Aluminum > T51 Quartz AC Hour Meter II. > T51 Quartz AC Hour Meter I. > T12C AC Powered Hour Meter > T1100 Series LCD Hour Meter/ C1100 Series Counter > PT15 Tachometer > Item # PT15A2

**Item # PT15A2 Round**



**Round**

- Sparks once per rev
- Large 7 segment LCD display
- Low cost and small size
- No power required
- Solid state electronics
- Quartz crystal
- Wide operating temperature range
- High reliability
- Indicates operation in RPMs and hours
- Factory set 1, 2, 4, cycle engine, or hour meter only
- Easy to install.
- Made in the U.S.A.

ENM is proud to present the new series PT15 self-powered digital tach/maintenance/hour meter. The PT15 keeps track of true engine RPM and running time for all types of gasoline engines. The unit is powered by an internal lithium battery. No external power connections are required. The Operation of the tach/hour meter is triggered by 5.5 ft. shielded and external lead, wrapped around the spark plug wire of the engine since the unit is triggered by the spark of the engine, the hours and the RPM display actual operation. This is useful for maintenance and warranty applications for any type of engine powered machinery.

**Specifications**

<b>Operating Battery Life</b>	Internal lithium battery 35,000 hours continuous running. Internal Lithium Battery 8 years plus non-replaceable
<b>Operating Temperature</b>	Standard: -10 to +60 °C
<b>Vibration resistance @ 1 to 8 Gs.</b>	Withstands 10 to 75 Hz
<b>Wire Length</b>	3.5 ft.
<b>Compatibility</b>	sparks once/rev

## Self Powered Engine Digital Tach/ Hour Meter, Series PT15



PT15

### Features

- Large 7 segment LCD display
- Low cost and small size
- No Power required
- Solid state electronics
- Quartz Crystal
- Wide operating temperature range
- High reliability
- Indicates operation in RPMs and Hours
- 1, 2, 4, Cycle engine or Hour Meter only
- Easy to install
- ISO 9001:2000 Certified
- Made in the U.S.A.

ENM is proud to present the new series PT15 self-powered Digital Tach/Hour meter. The PT15 keeps track of true engine RPM and running time for all types of gasoline engines. The unit is powered by an internal lithium battery. No external power connections are required.

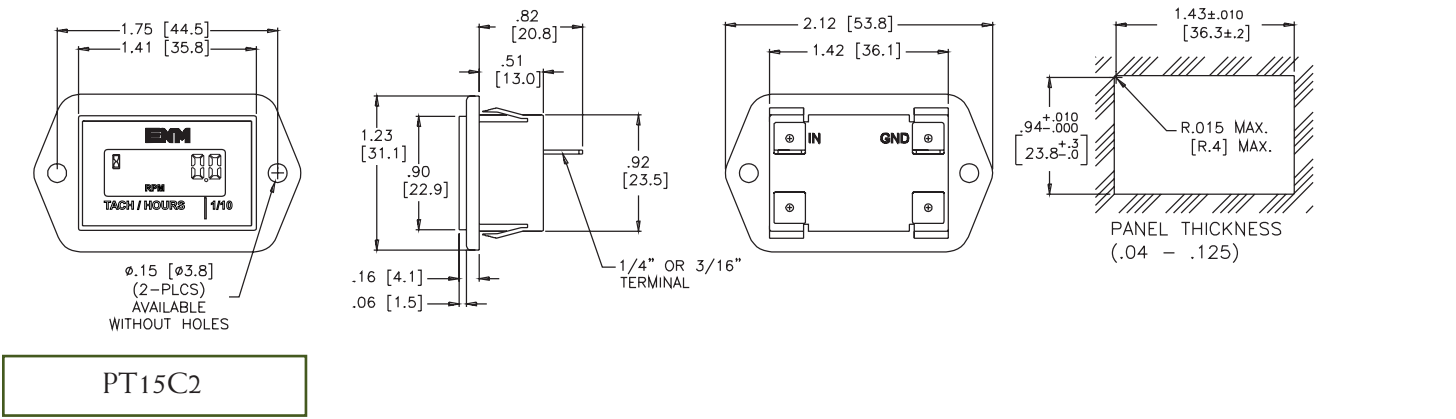
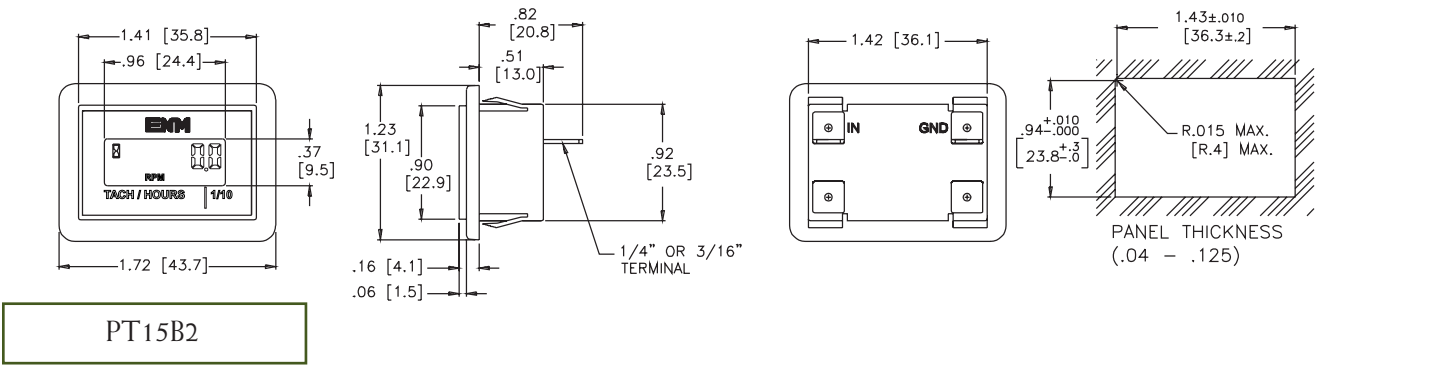
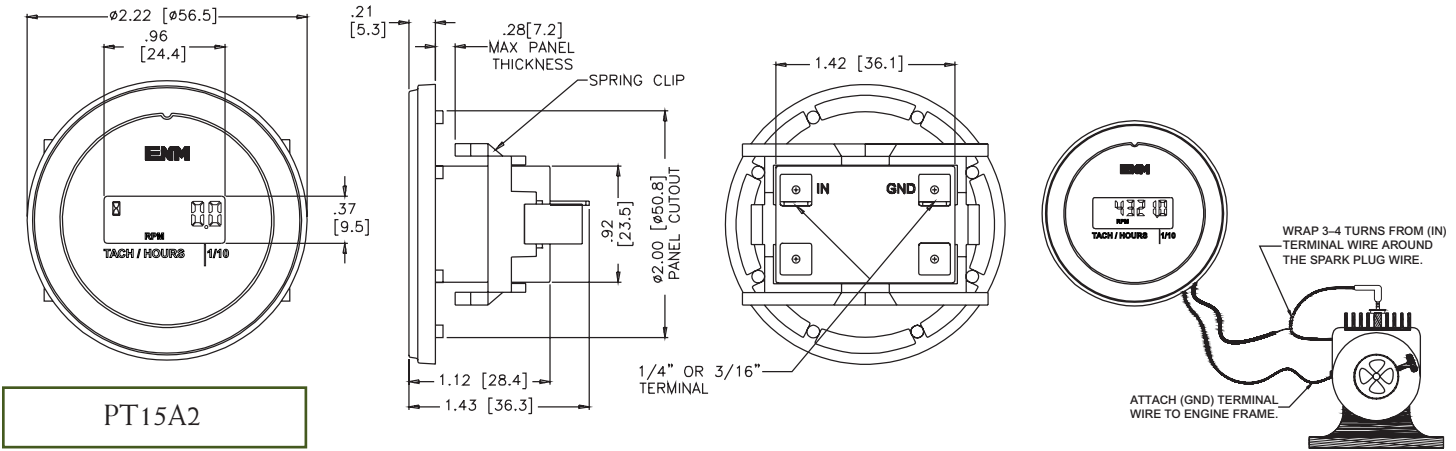
The operation of the Tach/Hour meter is triggered by external lead wire, wrapped around the spark plug wire of the engine. Since the unit is triggered by the spark of the engine, the hours and the RPM display actual operation. This is useful for maintenance and warranty applications for any type of engine-powered machinery.

The RPM is displayed when the engine is running. Hour usage is displayed when the engine is off and remains visible.

With solid state technology the PT15 series is built with a custom chip and with solid construction for maximum durability in harsh environments and rugged application.

### Specifications

Capacity:	9999.9 Hours Meter 01=13,000 RPM 02=24,000 RPM 03=48,000 RPM
Sampling Time:	1-Second Approximate
Character height:	Large 5 mm digits.
Operating battery life:	8 year Internal Lithium Battery
Operating temperature:	Standard -10C to +85C
Vibration resistance:	Withstands 10 to 75 Hz. at 1 to 8 G's.
Rpm Resolution:	10 Rpm
Configuration:	Round SAE Bezel with push on retaining chip. Other mounting styles are also available. See reverse side.



2005 ENM Co.®

**LIMITED WARRANTY HOUR METERS**

ENM Company products are warranted to the consumer to be free from defects in material and workmanship for a period of 1 year. All ENM products which fall within the warranty period due to defects in material or workmanship will be repaired or replaced, at ENM's option, without charge to the consumer when returned with proof of purchase to any authorized ENM dealer in the United States, transportation charges prepaid, provided there is no evidence of improper installation, tampering, or other abuse. All implied warranties, including any implied warranty of merchantability or fitness for a particular purpose, shall be limited in duration to the express warranty period specified above.

ENM disclaims any liability for consequential damages due to breach of any written or implied warranty on its products.