



# ELC-ACCOVER

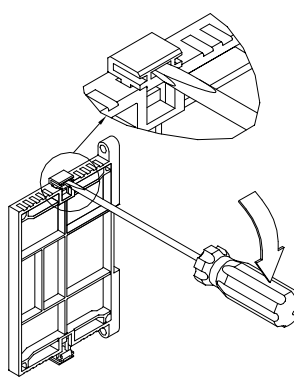
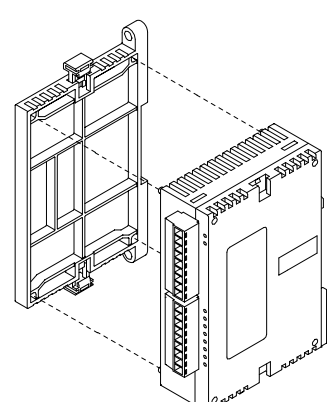
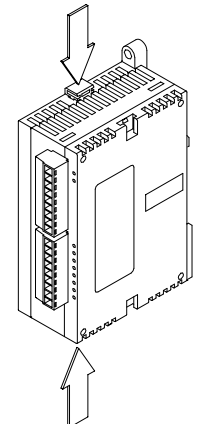
Slim Installation Plate

## Instruction sheet

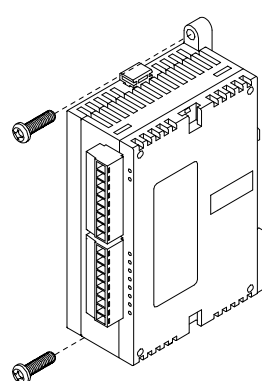
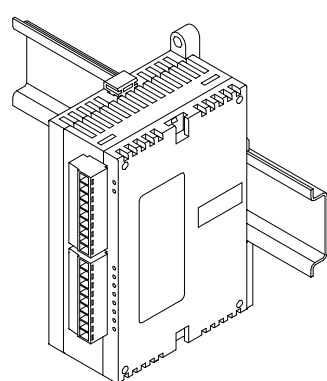
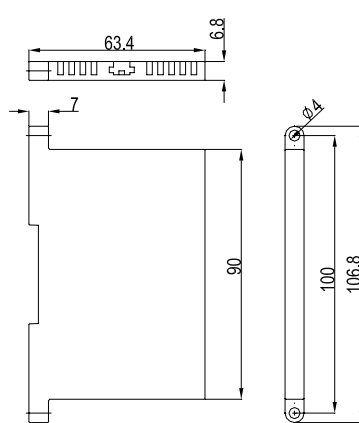
### ■ Introduction

The slim installation plate accommodates a single Analog Module working as a Modbus/RS-485 network I/O module. When a controller is attached, this plate cannot be used.

### ■ Assembling the slim installation plate

<p>1. Using a screwdriver, pull out the top and bottom extension clips.</p> 	<p>2. Couple the extension unit to the flat installation plate.</p> 	<p>3. Push the top and bottom extension clips back into position.</p> 
--	--	--

### ■ Installation & Dimensions

<p>1. Screw-in installing the extension units</p> 	<p>2. DIN rail installation</p> 	<p>3. Dimensions</p> 
---	---	--