



Part Number
Key Word



Site Search

TOP

NEWS RELEASE

CONNECTORSEARCH

CATALOG

SAMPLE

STOCK CHECK

[TOP](#) > [KX14-50K11DE](#)

Product List

Product Name	KX14-50K11DE
Series Name	KX14/KX15 Series
Contact spacing (mm)	0.8
Number of contacts	50
Number of rows	2
Plug/Receptacle	Receptacle
PCB mounting method	Soldering
Surface mounting flag	TRUE
PCB side connector styles	Straight
PCB mounted height (mm)	12.55
Finish of contact in connecting area	Gold over Nickel
Plating thickness of contact in connecting area (micrometer)	0.1

Finish of contact in PCB mounting area	Gold flash over Nickel
Material of insulator	Glass-filled LCP
Material of contact	Copper alloy
Existence of mismatching prevention key	Yes
Existence of positioning boss	Yes
Existence of hold-down	Yes
Existence of hook-pin	None
Remarks	
Related Documents	 148Kbytes
Pair	KX15-50K2DE KX15-50K2D-E1000E KX15-50K3DE KX15-50K3D-E1000E KX15-50K4DE KX15-50K4D-E1000E KX15-50K8D-E650E KX15-50KLDLE KX15-50KLDL-E1000E KX15-50KLDP-E1000E KX15-50KLNL KX15-50KLNL-E1000

Notice:

1. The values specified in this web site are only for reference. The products and their specifications are subject to change without notice. Contact our sales staff for further information before considering or ordering any of our products.
For purchase, a product specification must be agreed upon.
2. Users are requested to provide protection circuits and redundancy circuits to ensure safety of the equipment, and sufficiently review the suitability of JAE's products to the equipment.
3. The products presented in this web site are designed for the uses recommended below. We strongly suggest you contact our sales staff when considering use of any of the products in any other way than the recommended applications or for a specific use that requires an extremely high reliability.

(1) Applications that require consultation:

- (i) Please contact us if you are considering use involving a quality assurance program that you specify or that is peculiar to the industry, such as:
Automotive electrical components, train control, telecommunications devices (mainline), traffic light control, electric power, combustion control, fire prevention or security systems, disaster evention equipment, etc.
- (ii) We may separately give you our support with a quality assurance program that
you specify, when you think of a use such as :

Aviation or space equipment, submarine repeaters, nuclear power control systems, medical equipment for life support, etc.

(2) Recommended applications include:

Computers, office appliances, telecommunications devices (terminals, mobile units), measuring equipment, audiovisual equipment, home electric appliances, factory automation equipment, etc

Copyright (C) 2002-2008, Japan Aviation Electronics Industry, Ltd.

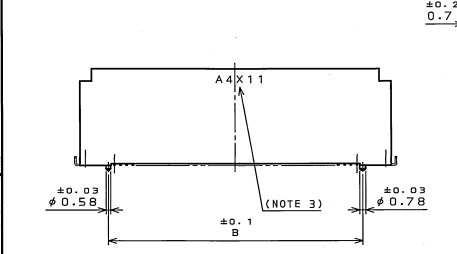
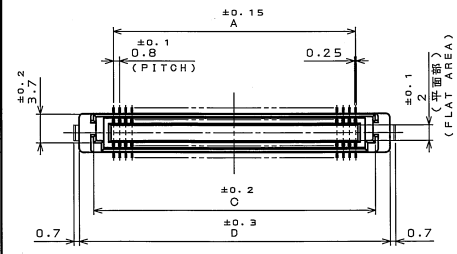
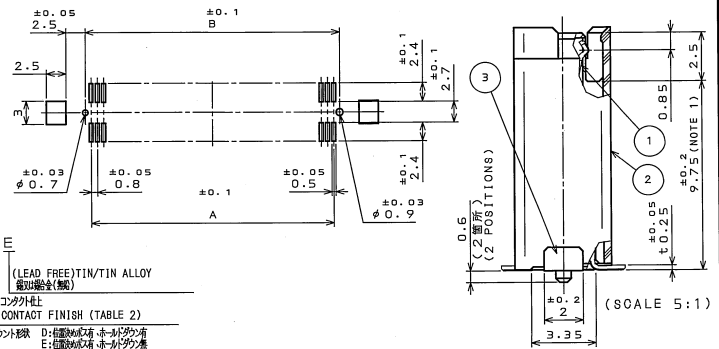
5108E0N5
(ON 9N1MYHO)各要素図

原数 REV.	年月日 DATE	DCN NO.	変更内容 DESCRIPTION	製図 DR.	担当 CHK.	査閲 APPD.	承認 APPD.
2	3.06.2003	053945	REVISED TABLE 2	E.MURANO	H.TAKAHASHI	Y.YAHIRO	S.KASHIWAGI
3	7.Jul.2006	060584	ADDED ITEM		T.URANO	<i>T. Urano</i>	Y.YAHIRO

TABLE 2 CONTACT FINISH

仕上り FINISH	接触部仕上 CONTACT AREA	端子部仕上 TERMINAL AREA
無印	NI/Au0.1μm以上 GOLD (0.1μm MIN) OVER NICKEL	NI/Auフラッシュ GOLD FLASH OVER NICKEL
1	NI/Au0.1μm以上 GOLD (0.1μm MIN) OVER NICKEL	無鉛はんだ合金(無鉛) (LEAD FREE) TIM/TIN ALLOY
2	NI/Au0.3μm以上 GOLD (0.3μm MIN) OVER NICKEL	NI/Auフラッシュ GOLD FLASH OVER NICKEL

APPLICABLE P.C.B. DIMENSION (REF.)
適合基板寸法(参考)



DESIGNATION
命名法

KX14-**K11D*E

14:レセプタクル
15:プラグ
14:RECEPTACLE
15:PLUG

(LEAD FREE)TIN/TIN ALLOY
無鉛はんだ合金(無鉛)
コンパ社
CONTACT FINISH (TABLE 2)
マウント線 D:位置決めボス、有
E:位置決めボス、無

MOUNT: D:WITH POSITIONING BOSS, WITH HOLD-DOWN
E:WITH POSITIONING BOSS, WITHOUT HOLD-DOWN

挿入高さ
STACKING HEIGHT PER ONE SIDE, KX** (NOTE2)
N:無挿入防止
K:挿入防止有
N:WITHOUT MISMATING PREVENTION KEY
K:WITH MISMATING PREVENTION KEY

TABLE 1 DIMENSION

開発状態 DEVELOPMENT NO. OF CONDITION	芯数 NO. OF CONTACT	A	B	C	D
○	20	7.2	8.7	12.3	16
×	30	11.2	12.7	16.3	20
○	40	15.2	16.7	20.3	24
○	50	19.2	20.7	24.3	28
○	60	23.2	24.7	28.3	32
○	70	27.2	28.7	32.3	36
×	80	31.2	32.7	36.3	40
○	100	39.2	40.7	44.3	48
×	120	47.2	48.7	52.3	56
×	140	55.2	56.7	60.3	64

○:開発済み ×:開発予定
(DEVELOPED) (DEVELOPMENT PROGRAM)

- NOTE 1. COPLANARITY: 0.1mm MAX.
2. STACKING HEIGHT = HEIGHT OF KX14 (RECEPTACLE) + HEIGHT OF KX15 (PLUG)
EX.: KX14-**K11E, KX15-**K2E → 13mm=11+2
3. PRODUCTION LOT NUMBER AS INDICATED. (EXCEPT '**K11D9E')
(EX.) A4X11
LOT NUMBER OF CURRENT MONTH
MONTH (1 TO 9 FOR JAN. TO SEPT. RESPECTIBELY, OCT.:0, NOV.:X, DEC.:Y)
YEAR (LAST DIGIT ONLY)
MANUFACTURER CODE

- 注1. 端子の平坦度: 0.1以下。
2. KX14(レセプタクル)の数と、KX15(プラグ)の数とを加えた値が
平行基板間高さになります。
3. 図示の面に、ロット番号を表示する。(**K11D9Eを除く)
(例) A4X11
月の生産ロット番号
月表示: 1~9(10月:0, 11月:X, 12月:Y)
年表示(西暦末尾)
製造コード

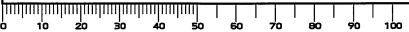
3	HOLD DOWN	2	COPPER ALLOY	(LEAD FREE)TIN/TIN ALLOY	
2	INSULATOR	1	GLASS FILLED LCP		COLOR : BLACK
1	CONTACT	1	COPPER ALLOY	TABLE 2	
符号 NO.	名称 DESCRIPTION	個数 QTY.	材料 MATERIAL	仕上 FINISH	備考 REMARKS
	仕様書(SPECIFICATION) JACS-1401-*		第1版(ORIGINAL DATE) 3.Mar.2003	尺取(SCALE) 2:1	シリーズ(SERIES) KX
	製図 DR.		S.MIURA		
	担当 CHK.		H.TAKAHASHI		
	承認 APPD.				
	承認 APPD.		K.SATOU		
	寸法(DIMENSION)		角度(ANGLES)		名称(TITLE) KX14-**K11D*E
	. ±0.8		° ±		RECEPTACLE
	.X ±0.4		°X ±		質量(MASS)
	.XX ±0.1		°XX ±		
	.XXX ±		°XXX ±		

日本航空電子工業株式会社
JAPAN AVIATION
ELECTRONICS
INDUSTRY, LTD.
図面番号(DRAWING NO.)
8J038015

LEAD FREE この製品は鉛フリーです

JAE CONNECTOR DIV. PROPRIETARY.
COPYRIGHT (C) 2003, JAPAN AVIATION ELECTRONICS INDUSTRY, LTD.

DOF-0-212F(05.08)



SIZE A3
版数 (REV.)
3