



Part Number  
Key Word



Site Search

TOP

NEWS RELEASE

CONNECTORSEARCH

CATALOG


SAMPLE

STOCK CHECK

[TOP](#) > [KX14-40K5D-RE](#)

## Product List

Product Name	<b>KX14-40K5D-RE</b>
Series Name	KX14/KX15 Series
Contact spacing (mm)	0.8
Number of contacts	40
Number of rows	2
Plug/Receptacle	Receptacle
PCB mounting method	Soldering
Surface mounting flag	TRUE
PCB side connector styles	Straight
PCB mounted height (mm)	6.55
Finish of contact in connecting area	Gold over Nickel
Plating thickness of contact in connecting area (micrometer)	0.1

Finish of contact in PCB mounting area	Gold flash over Nickel
Material of insulator	Glass-filled LCP
Material of contact	Copper alloy
Existence of mismatching prevention key	Yes
Existence of positioning boss	Yes
Existence of hold-down	Yes
Existence of hook-pin	None
Remarks	
Related Documents	 139Kbytes
Pair	KX15-40K2D-RE KX15-40K3DE KX15-40K4D-RE KX15-40K8DE KX15-40KLDLE

### Notice:

1. The values specified in this web site are only for reference. The products and their specifications are subject to change without notice. Contact our sales staff for further information before considering or ordering any of our products.  
For purchase, a product specification must be agreed upon.
2. Users are requested to provide protection circuits and redundancy circuits to ensure safety of the equipment, and sufficiently review the suitability of JAE's products to the equipment.

3. The products presented in this web site are designed for the uses recommended below. We strongly suggest you contact our sales staff when considering use of any of the products in any other way than the recommended applications or for a specific use that requires an extremely high reliability.

(1) Applications that require consultation:

- (i) Please contact us if you are considering use involving a quality assurance program that you specify or that is peculiar to the industry, such as:  
Automotive electrical components, train control, telecommunications devices (mainline), traffic light control, electric power, combustion control, fire prevention or security systems, disaster evention equipment, etc.
- (ii) We may separately give you our support with a quality assurance program that  
you specify, when you think of a use such as :

Aviation or space equipment, submarine repeaters, nuclear power control systems, medical equipment for life support, etc.

(2) Recommended applications include:

Computers, office appliances, telecommunications devices (terminals, mobile units), measuring equipment, audiovisual equipment, home electric appliances, factory automation equipment, etc

6E1Z01P5  
(CON 0N1MYR0)每基理図

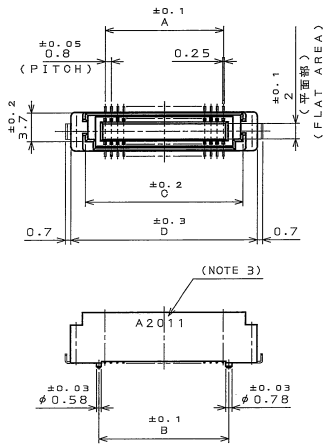
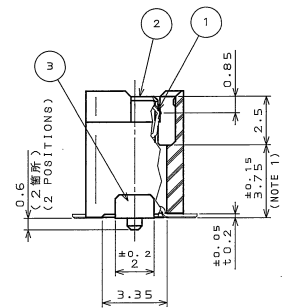
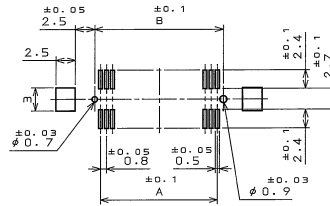


TABLE 1 CONTACT FINISH

接触部仕上 CONTACT AREA	端子部仕上 TERMINAL AREA
Ni/Au0.1μm以上 GOLD (0.1μm MIN) OVER NICKEL	Ni/Auフラッシュ GOLD FLASH OVER NICKEL

版数 REV.	年月日 DATE	DON NO.	変更内容 DESCRIPTION	製図 DR.	担当 CHK.	査閲 APPD.	承認 APPD.
2	2.Nov.2004	056083	CHANGED PRODUCTION LOT NUMBER		R.KATOU	M. Kimura	S. Kashiwagi

APPLICABLE P.C.B. DIMENSION (REF.)  
適合基板寸法 (参考)



MATED CONDITION (REF.)  
嵌合状態図 (参考) (SCALE 5:1)

DESIGNATION  
命名法

KX14-\*\*-\*\*K5D-RE

シリーズ  
SERIES PREFIX  
14:レセプタクル  
15:プラグ  
14:RECEPTACLE  
15:PLUG

無鉛  
LEAD-FREE  
モディファイコード  
MODIFICATION CODE

マウント形状  
D:位置決めボス・ホルドダウン有  
E:位置決めボス・ホルドダウン無  
MOUNT:  
D:WITH POSITIONING BOSS, WITH HOLD-DOWN  
E:WITH POSITIONING BOSS, WITHOUT HOLD-DOWN  
平行基座間高さ  
STACKING HEIGHT PER ONE SIDE, KX\*\* (NOTE2)

TABLE2 DIMENSION

芯数 NO. OF CONTACT	A	B	C	D
40	15.2	16.7	20.3	24
50	19.2	20.7	24.3	28

NOTE1. COPLANARITY: 0.1mm MAX.  
NOTE2. STACKING HEIGHT = HEIGHT OF KX15 OF KX14 (RECEPTACLE) + HEIGHT OF KX15 (PLUG)  
EX. : KX14-\*\*-\*\*K5, KX15-\*\*-\*\*K2 → 7mm=5+2  
NOTE3. PRODUCTION LOT NUMBER IS SHOWN AS INDICATED.

△(EX.) A2011

LOT NUMBER OF CURRENT MONTH  
MONTH (1 TO 9 FOR JAN. TO SEPT. RESPECTIVELY,  
00T, 10, NOV, 1X, DEC, Y)  
YEAR (LAST DIGIT ONLY)  
MANUFACTURER CODE

注1. 端子の平行度は、0.1以下。  
注2. KX14 (レセプタクル)の数と、KX15 (プラグ)の数とを加えた値が  
平行基座間高さになります。  
注3. 図示の面に、ロット番号を表示する。

△(例) A2011

月の外装ポート番号  
月番号:1~9(10月:0, 11月:X, 12月:Y)  
年番号(西暦4桁)  
製造コード

3	HOLD DOWN	2	COPPER ALLOY	(LEAD FREE)REFLOW TIN PLATING	
2	INSULATOR	1	GLASS FILLED LCP		COLOR:BLACK
1	CONTACT	TABLE 2	COPPER ALLOY	TABLE 1	
仕様書 (SPECIFICATION)	数量 (QTY.)	材料 (MATERIAL)	仕上り (FINISH)	備考 (REMARK)	
JA0S-1401-*	19,00t.2004		KX	日本航空電子工業株式会社	
公差 (GENERAL TOLERANCE)	製造 (DR.)	検査 (CHK.)	名称 (TITLE)	JAPAN AVIATION	
寸法 (DIMENSION)   角度 (ANGLES)	担当 (DR.)	承認 (APPD.)	KX14-**-**K5D-RE	ELECTRONICS	
.X ±0.08 X° ±	R.KATOU	M.KIMURA	RECEPTACLE	INDUSTRY, LTD.	
.XX ±0.04 X°X' ±		S.KASHIWAGI		図面番号 (DRAWING NO.)	
.XX ±0.1				SJ102139	
.XXX ±				版数 (REV.)	
				2	

LEAD FREE この製品は鉛フリー品です

JAE CONNECTOR DIV. PROPRIETARY.  
COPYRIGHT (C) 2004, JAPAN AVIATION ELECTRONICS INDUSTRY, LTD.