



Part Number  
Key Word



Site Search

TOP

NEWS RELEASE

CONNECTORSEARCH

CATALOG


SAMPLE

STOCK CHECK

[TOP](#) > [KX14-30K8DE](#)

## Product List

Product Name	<b>KX14-30K8DE</b>
Series Name	KX14/KX15 Series
Contact spacing (mm)	0.8
Number of contacts	30
Number of rows	2
Plug/Receptacle	Receptacle
PCB mounting method	Soldering
Surface mounting flag	TRUE
PCB side connector styles	Straight
PCB mounted height (mm)	9.55
Finish of contact in connecting area	Gold over Nickel
Plating thickness of contact in connecting area (micrometer)	0.1

Finish of contact in PCB mounting area	Gold flash over Nickel
Material of insulator	Glass-filled LCP
Material of contact	Copper alloy
Existence of mismatching prevention key	Yes
Existence of positioning boss	Yes
Existence of hold-down	Yes
Existence of hook-pin	None
Remarks	
Related Documents	 147Kbytes
Pair	KX15-30K2DE KX15-30K3DE KX15-30K3F-E1000E KX15-30K4DE KX15-30KLDLE

### Notice:

1. The values specified in this web site are only for reference. The products and their specifications are subject to change without notice. Contact our sales staff for further information before considering or ordering any of our products.  
For purchase, a product specification must be agreed upon.
2. Users are requested to provide protection circuits and redundancy circuits to ensure safety of the equipment, and sufficiently review the suitability of JAE's products to the equipment.

3. The products presented in this web site are designed for the uses recommended below. We strongly suggest you contact our sales staff when considering use of any of the products in any other way than the recommended applications or for a specific use that requires an extremely high reliability.

(1) Applications that require consultation:

- (i) Please contact us if you are considering use involving a quality assurance program that you specify or that is peculiar to the industry, such as:  
Automotive electrical components, train control, telecommunications devices (mainline), traffic light control, electric power, combustion control, fire prevention or security systems, disaster evention equipment, etc.
- (ii) We may separately give you our support with a quality assurance program that  
you specify, when you think of a use such as :

Aviation or space equipment, submarine repeaters, nuclear power control systems, medical equipment for life support, etc.

(2) Recommended applications include:

Computers, office appliances, telecommunications devices (terminals, mobile units), measuring equipment, audiovisual equipment, home electric appliances, factory automation equipment, etc

008E00S

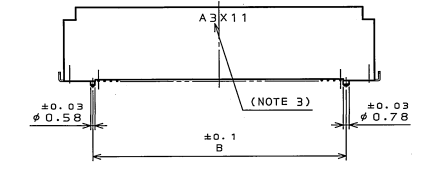
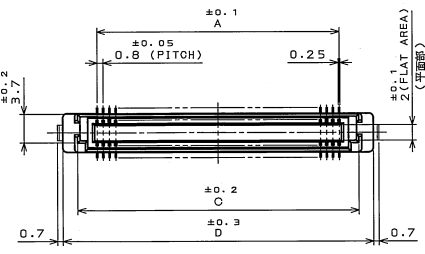
( 'ON 0N1MVD) 各器区

TABLE 1 DIMENSION

表1 寸法

DEVELOPMENT CONDITION 開発種別	NO. OF CONTACT 端子数	A	B	C	D
○	20	7.2	8.7	12.3	16
○	30	11.2	12.7	16.3	20
○	40	15.2	16.7	20.3	24
○	50	19.2	20.7	24.3	28
○	60	23.2	24.7	28.3	32
○	70	27.2	28.7	32.3	36
○	80	31.2	32.7	36.3	40
○	100	39.2	40.7	44.3	48
○	120	47.2	48.7	52.3	56
○	140	55.2	56.7	60.3	64

○: DEVELOPED X: DEVELOPMENT PROGRAM  
○: 開発済み X: 開発予定



NOTE1. COPLANARITY: 0.1mm MAX.  
2. STACKING HEIGHT = HEIGHT OF KX14(RECEPTACLE) + HEIGHT OF KX15(PLUG)  
EX.: KX14-\*\*KB, KX15-\*\*K2 → 10mm±0.2  
3. PRODUCTION LOT NUMBER IS SHOWN AS INDICATED. (EXCEPT \*\*KBD9E\*)  
(EX.:) A 3 X 1 1  
LOT NUMBER OF CURRENT MONTH  
MONTH (1 TO 9 FOR JAN. TO SEPT. RESPECTIVELY,  
OCT.:0, NOV.:X, DEC.:Y)  
YEAR (LAST DIGIT ONLY)  
MANUFACTURER CODE

注1. 端子の平坦度は、0.1以下。  
2. KX14(レセプタクル)の数と、KX15(プラグ)の数とを加えた値が  
平行基板の幅となります。  
3. 図示の面に、ロット番号を表示する。(\*\*KBD9Eを除く)  
(例) A 3 X 1 1  
月の生産ロット番号  
年表示: 1~9(10月:0, 11月:X, 12月:Y)  
年表示(西暦末尾)  
製造コード

DESIGNATION  
命名法

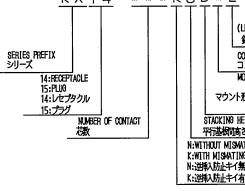
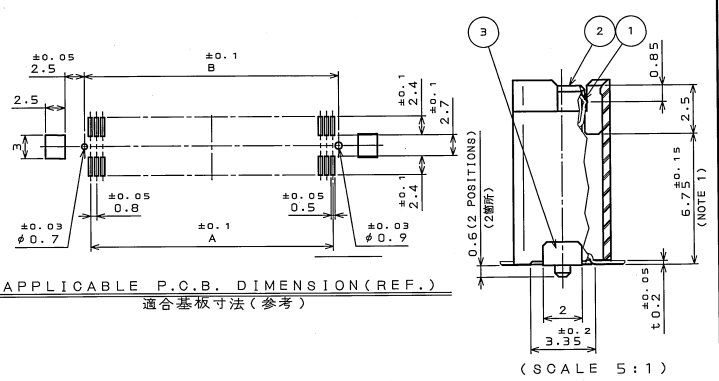


TABLE 2 CONTACT FINISH

表2 仕上

FINISH 仕上	CONTACT AREA 接合部仕上	TERMINAL AREA 端子部仕上
△ NONE 無印	GOLD(0.1μm MIN) OVER NICKEL Ni:LAUG, 1μm以下	GOLD FLASH OVER NICKEL Ni:LAUフラッシュ
△ 1	GOLD(0.1μm MIN) OVER NICKEL Ni:LAUG, 1μm以下	(LEAD FREE/TIN/TIN ALLOY) 鉛又は錫合金(無鉛)
△ 2	GOLD(0.3μm MIN) OVER NICKEL Ni:LAUG, 3μm以下	GOLD FLASH OVER NICKEL Ni:LAUフラッシュ

REV.	年月日 DATE	DCN No.	変更内容 DESCRIPTION	製図 DR.	担当 CHK.	承認 APPD.	承認 APPD.
2	3.06.2003	053945	REVISED TABLE 2	E.MURANO	H.TAKAHASHI	Y.YAHIRO	S.KASHIWAIGI
3	7.Jul.2006	060584	ADDED ITEM		T.URANO	T. Murakami	Y.YAHIRO



APPLICABLE P.C.B. DIMENSION (REF.)  
適合基板寸法(参考)

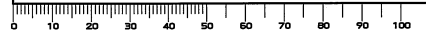
(SCALE 5:1)

3	HOLD DOWN	2	COPPER ALLOY	(LEAD FREE)TIN/TIN ALLOY	
2	INSULATOR	1	GLASS FILLED LCP		COLOR:BLACK
1	CONTACT	TABLE 1	COPPER ALLOY	TABLE 2	
符号 NO.	名 DESCRIPTION	個 QTY.	材 MATERIAL	仕 FINISH	備 REMARKS
仕様書 (SPECIFICATION)	JAOS-1401-*	第1版 (ORIGINAL DATE) 3.Mar.2003	尺規 (SCALE) 2:1	シリーズ (SERIES) KX	日本航空電子工業株式会社 JAPAN AVIATION ELECTRONICS INDUSTRY, LTD. 図面番号(DRAWING NO.) 8J03B007
製造 DR.	E.MURANO	製図 CHK.	H.TAKAHASHI	名称(TITLE) RECEPTACLE	図面番号(DRAWING NO.) 8J03B007
承認 APPD.		承認 APPD.	K.SATOU	質量(MASS)	版数 (REV.) 3

LEAD FREE この製品は鉛フリー品です

JAE CONNECTOR DIV. PROPRIETARY.  
COPYRIGHT (C) 2003, JAPAN AVIATION ELECTRONICS INDUSTRY, LTD.

DOF-0-312F(05.08)



SIZE A3