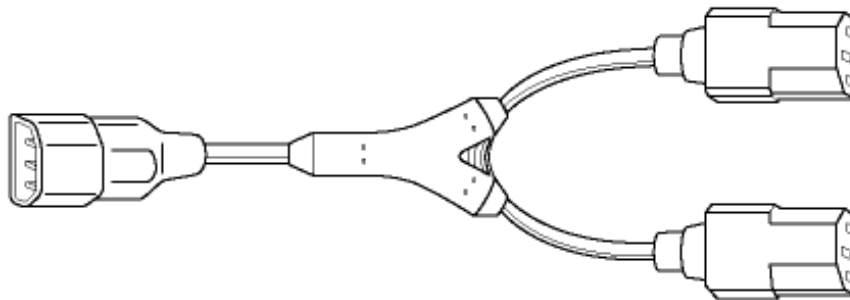


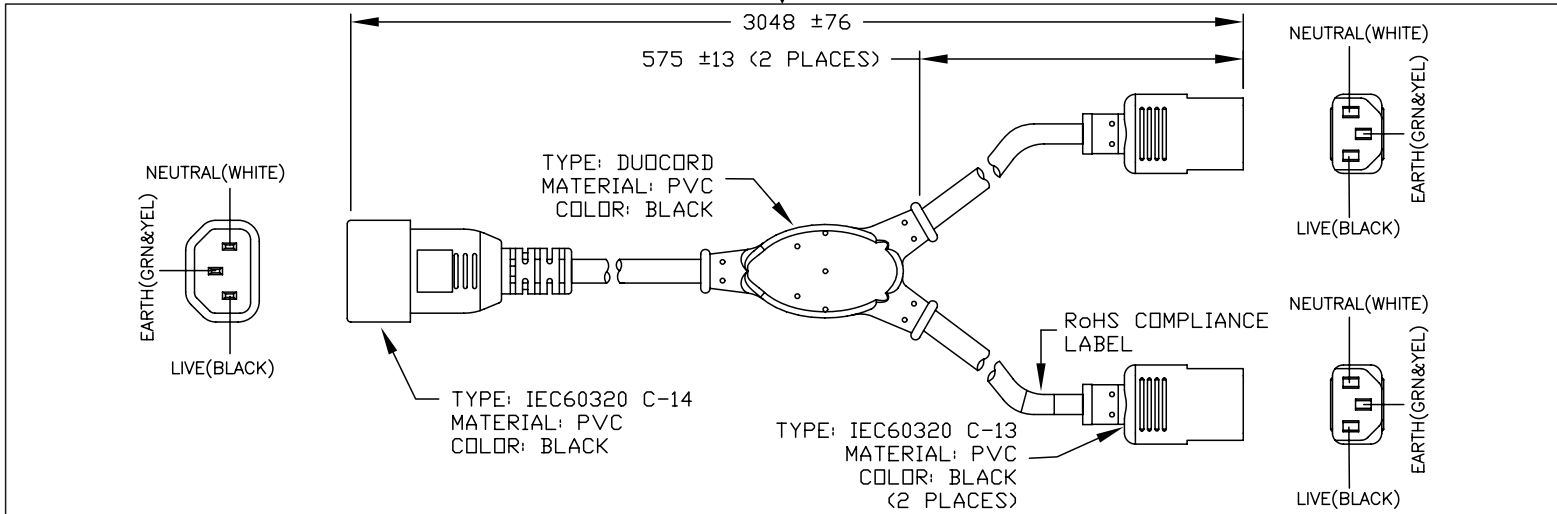
VOLEX

GROUP

## Standard Cord Details: 17269A 10 B1



| Specifications                    |               |
|-----------------------------------|---------------|
| <b>Certifications</b>             |               |
| <b>Part Number</b>                | 17269A 10 B1  |
| <b>Connector Type</b>             | C13           |
| <b>Plug Type</b>                  | C14           |
| <b>Category</b>                   | Plastic       |
| <b>Application</b>                | Y Cord        |
| <b>Plug Catalog No.</b>           |               |
| <b>Connector Catalog No.</b>      |               |
| <b>Cable</b>                      | SJT AWG 18x3  |
| <b>Jacket Color</b>               | Black         |
| <b>Length in Feet</b>             | 10': 2' legs  |
| <b>Length in Meters</b>           |               |
| <b>Temperature Rating</b>         | 60 C          |
| <b>Packaging Units Per Carton</b> | 25            |
| <b>Color Coding</b>               | North America |
| <b>Nominal OD in Inches</b>       | 0.315         |
| <b>Nominal OD in Millimeters</b>  | 8             |



VOLEX RESERVES THE RIGHT TO ALTER NON-CRITICAL DIMENSIONS WITHOUT NOTICE.

PACKAGING: BULK (NO HANK OR COIL)

**NOTES:**

- 1) CORDAGE: 18/3 SJT, 60°C, BLACK, LEAD FREE
- 2) APPROVALS:
- 3) RATING: 10 AMPS/250 VOLTS
- 4) FLAME RATING : FT2
- 5) PACKAGING: 50 PIECES/CARTON
- 6) ALL DIMENSIONS IN MILLIMETERS.

|     |                     |        |
|-----|---------------------|--------|
|     |                     |        |
|     |                     |        |
| 1   | C.U.D - NEW RELEASE | 9/4/07 |
| REV | DESCRIPTION         | DATE   |

|                        |  |  |   |   |   |
|------------------------|--|--|---|---|---|
| <br>FORM IN71-07 REV.A | <input checked="" type="checkbox"/> Indianapolis, IN<br><input type="checkbox"/> Conover, N.C.<br><input type="checkbox"/> Freemont, CA<br><input type="checkbox"/> Aguascalientes, MX<br><input type="checkbox"/> Tijuana, Mexico<br><input type="checkbox"/> Hermosillo, MX<br><input type="checkbox"/> Clinton, AR<br><input type="checkbox"/> Kanata, Canada | <b>Proprietary Notice:</b><br>This document is the property of Volex Incorporated. The information contained herein is not to be disclosed to anyone without the express written consent of Volex Inc. | <b>MATERIAL:</b><br>PLUG: PVC, BLACK<br>JACKET: PVC, BLK, LEAD FREE<br><br><b>FINISH:</b><br>JACKET: SMOOTH | <b>SCALE:</b><br>NOT TO SCALE<br><br><b>ECD:</b><br>N/A | <b>ITEM DESCRIPTION</b><br>CORDSET - NORTH AMERICAN<br>DETACHABLE POWER SUPPLY CORD (10') |
|                        | <b>TOLERANCE UNLESS OTHERWISE SPECIFIED</b><br>.XXX ± .005<br>.XX ± .02<br>.X ± .03<br>FRACT. ± 1/32<br>ANGULAR ± 1/2°   | <b>APPROVED</b><br>STC   | <b>DRAWN BY</b><br>STC  | <b>DATE:</b><br>9/4/07                                  | <b>PART NO.</b><br>17269A 10 B1   |