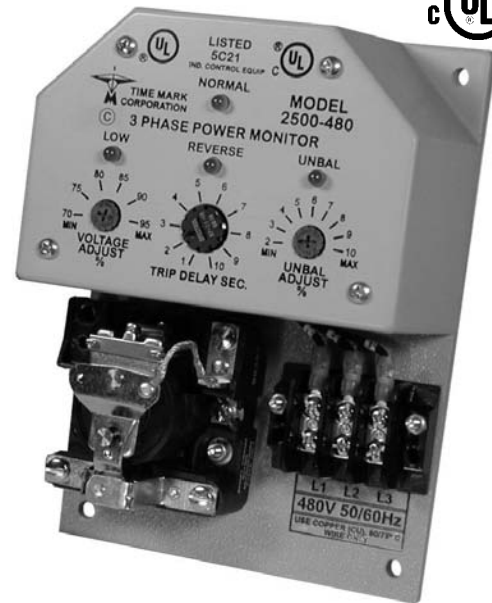




MODEL 2500 MODEL 2501

3-Phase Monitor

- Monitors for Phase Loss or Reversal, Low Voltage or Voltage Unbalance
- Automatic Reset
- Heavy Duty Output Contacts
- UL Listed to U.S. and Canadian Safety Standards



DESCRIPTION

The Models 2500 and 2501 3-Phase Monitors are designed to continuously monitor the voltages of a 3-phase power distribution system for abnormal conditions. The monitors feature solid-state voltage and phase angle sensing circuits which drive a SPDT electromechanical output relay. A neutral connection is **not** required with either the Model 2500 or 2501. This allows each model to be connected to any three phase WYE or DELTA configured power distribution system.

When the correct voltage and phase sequence is applied to a specified Model 2500, the output relay **will not energize**. An under voltage, phase reversal, phase unbalance or phase loss condition **will cause** the output relay to **energize**, even if regenerated voltage is present. Complete power loss **will not cause** Model 2500 to trip.

When the correct voltage and phase sequence is applied to a specified Model 2501, the output relay **will energize**. An under voltage, phase reversal, phase unbalance, or phase loss condition **will cause** the output relay to **de-energize**.

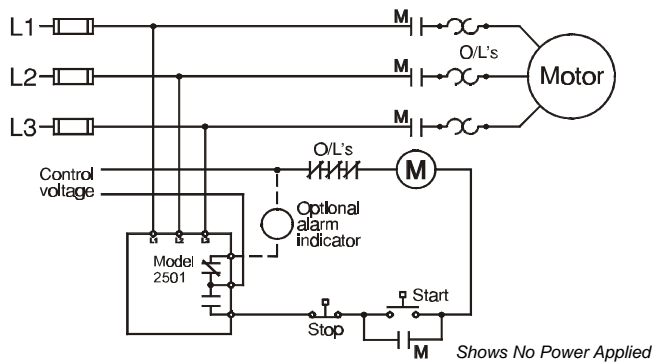
Each option on the Model 2500 or 2501 is adjustable throughout it's operating range. The adjustment pots and LED indicators for VOLTAGE ADJUST, UNBALANCE ADJUST and TIME DELAY are mounted on the front of the unit, for easy access.

Seven versions of both the Model 2500 and the Model 2501 cover voltage ranges from 120 to 600 VAC. All models are UL Listed to U.S. and Canadian safety standards.

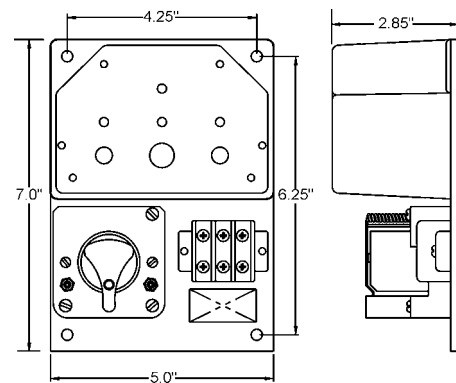
SPECIFICATIONS

Model	2500-120 2501-120	2500-208 2501-208	2500-240 2501-240	2500-380 2501-380	2500-415 2501-415	2500-480 2501-480	2500-600 2501-600
Nominal AC Voltage	120	208	240	380	415	480	600
Adjustment Range	84-114V	146-198V	168-229V	266-361V	290-394V	336-456V	420-570V
Frequency	50/60 Hz						
Unbalance adj range	2 to 10% per NEMA specifications						
Trip Delay adj range	1 to 10 seconds (1 sec increments)						
Power Consumption	4.5W per phase						
Repeat Accuracy	± 1% of full scale						
Reset Time	150 msec nominal						
Reset Type	Automatic						
Dead Band	2% of full scale						
Output Contacts	SPDT 30 amps at 28VDC/300VAC 50/60 Hz 5 amps at 480/600VAC 50/60 Hz 0.75 PF						
Operating Temp	-4° to +131° F						
Humidity Tolerance	0-97% without condensation						
Enclosure Material	ABS plastic						
Weight	2 lbs. 5 oz.						
Mounting	Surface						
Agency Approval	UL Listed to U.S. and Canadian safety standards						

TYPICAL APPLICATION - Motor



DIMENSIONS



TIME MARK
CORPORATION