


Revisions			
Revision	Date	ECN	Description
1	26-Feb-10		Initial Release



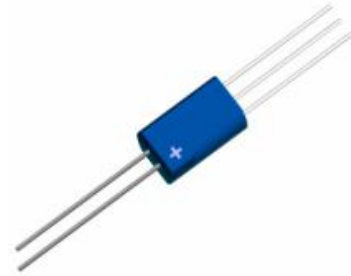
		DRAWN: Yat Lee			
		CHK:			
		APPRVL:			
TITLE:					
Data Sheet, NSL-33SR7/2					
SCALE:	DATE:	SIZE:	DWG NO:	REV	SHEET
NONE	26-Feb-10	A	5030200053	AA	1 OF 2

Features

- Compact moisture resistance package
- Best distortion characteristics
- Dual passive resistance output
- Channel matching available

Description

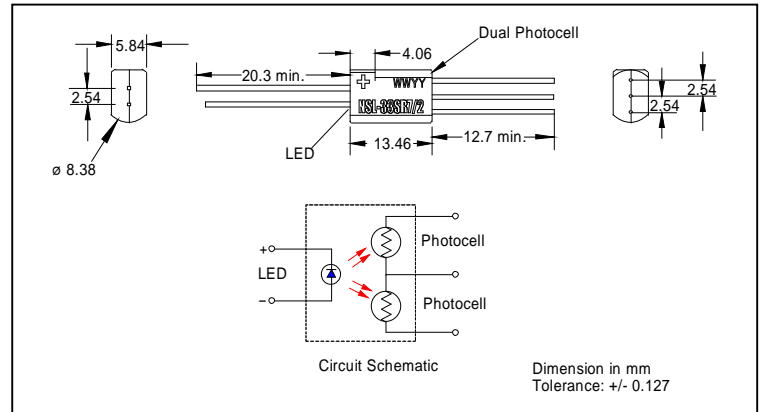
This optocoupler consists of an LED coupled to a dual photocell. The photocell resistance is high when the LED current is “off” and low when the LED current is “on”.



Absolute Maximum Ratings

Storage Temperature	-40° C to +75° C
Operating Temperature	-40° C to +75° C
Soldering Temperature (1)	260° C
Isolation Voltage (Peak)	2000V

Note: (1) >2 mm from case for <5 sec.
(2) Derate linearly to 0 at 75°C.



Electrical Characteristics (T_A=25°C unless otherwise noted)

Symbol	Parameter	Min.	Typ.	Max.	Units	Test Conditions
LED						
I _F	Forward Current			20	mA	
V _F	Forward Voltage		2.1		V	I _F = 20 mA
I _R	Reverse Current			10	μA	V _R = 4V
Photocell						
V _C	Maximum Cell Voltage			100	V	(Peak AC or DC)
P _D	Power Dissipation			30	mW	(2)
Coupled						
R _{ON}	On Resistance			200	Ω	I _F = 20 mA
			500		Ω	I _F = 5 mA
R _{OFF}	Off Resistance	10			MΩ	5 sec after I _F = 0, 5Vdc on cell.
T _R	Rise Time		1.0		msec	Time to 63% of final conductance @ I _F = 5mA
T _F	Decay Time		3.0		msec	Time to 37% of final conductance after removal of I _F = 5mA
T _C	Cell Temp Coefficient		0.7		%/°C	I _F > 5 mA

5200, St-Patrick St,
Montreal QC,
Canada H4E 4N9,
Tel: 514 768-8000
Fax: 514-768-8889