

HARNES PRO SERIES H205 MALE						
Contacts number nn	Length without Latches in mm		Contacts reference mark number			
	A	C	D	E	F	G
04	2	7.4	1	2	3	4
06	4	9.4	1	3	4	6
08	6	11.4	1	4	5	8
10	8	13.4	1	5	6	10
12	10	15.4	1	6	7	12
14	12	17.4	1	7	8	14
16	14	19.4	1	8	9	16
18	16	21.4	1	9	10	18
20	18	23.4	1	10	11	20
22	20	25.4	1	11	12	22
24	22	27.4	1	12	13	24
26	24	29.4	1	13	14	26
28	26	31.4	1	14	15	28
30	28	33.4	1	15	16	30
32	30	35.4	1	16	17	32
34	32	37.4	1	17	18	34
36	34	39.4	1	18	19	36
38	36	41.4	1	19	20	38
40	38	43.4	1	20	21	40
42	40	45.4	1	21	22	42
44	42	47.4	1	22	23	44
46	44	49.4	1	23	24	46
48	46	51.4	1	24	25	48
50	48	53.4	1	25	26	50

**CABLE COLOR**  
 Black : 0 / Brown : 1  
 Red : 2 / Orange : 3  
 Yellow : 4 / Green : 5  
 Blue : 6 / Violet : 7  
 Gray : 8 / White : 9

Contacts number  
 H 2 0 5 S n n D 6 A 5 0 0

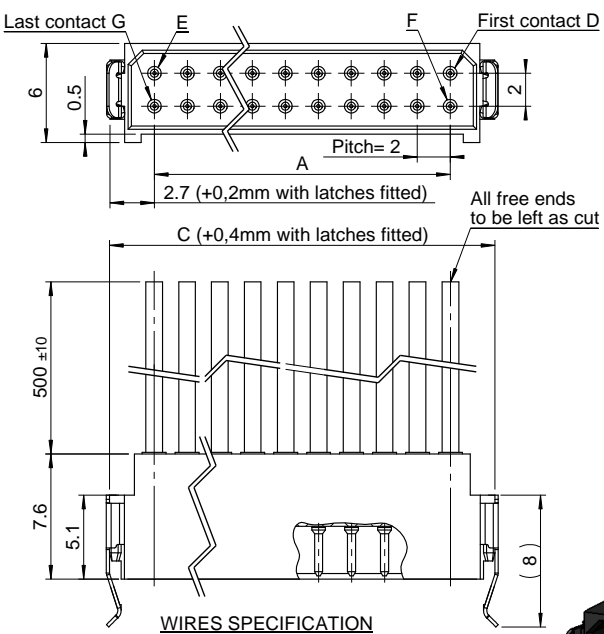
« L » = latch with locking  
 « » = without latch

**AWG**  
 24 : E  
 26 : D  
 28 : C

**NORM**  
 A : MIL-W-22759/11  
 B : « .... »

Ce plan est la propriété exclusive de la société NICOMATIC. Il ne peut être reproduit sans son autorisation. Loi du 11.03.1902.

This document and drawings, sketches, and schematic drawings are the property of the NICOMATIC company, and no parts thereof may be reproduced and used without the written consent of the owner. Law dated 11.03.1902



**WIRES SPECIFICATION**  
 MIL-W-22759/11  
 AWG26 Blue  
 Standing : 19 x 38  
 Finished Ø : 1.02mm max.(0.04 inch)  
 Conductor : Silver coated copper  
 Insulation : Extruded PTFE  
 Temperature Rating : 200°C  
 Voltage Rating : 600V

**TECHNICAL FEATURES**

**MATERIALS**

INSULATOR : Glass filled thermoplastic UL 94-V0

CRIMPING SIGNAL CONTACTS :  
 Male : Brass / 0.3µ gold plated

**FIXING HARDWARE :**

- Latch : Beryllium copper / Ni 2µ nickel plated

**ELECTRICAL**

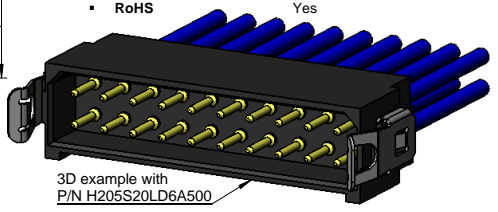
- All contacts: 3 A max. @ 25°C, 2.2 A max. @ 85°C, 300V AC/DC
- Working / Rated voltage (sea level): 400V AC/DC
- Proof / Withstanding voltage: max. 20 mΩ
- Contact resistance (initial): max. 25 mΩ
- Contact resistance (after conditioning): 1000 MΩ min
- Insulation resistance (initial): 500 cycles.

**MECHANICAL**

- Mechanical operations: 2N max. / 0.2 N min.
- Contact insertion and withdrawal force: 10N min.
- Contact retention in insulator:

**ENVIRONMENTAL**

- Temperature range: From -55°C to +125°C, Peak Reflow Compatible 260°C Yes
- RoHS: Yes

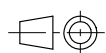


3D example with P/N H205S20LD6A500

Latch separation tool P/N C14790



173, rue des fougères Tel. : +33 (0)4.50.36.13.85  
 Z.I. Les Bracots Fax : +33 (0)4.50.36.11.33  
 F-74890 Bons-en-Chablais Web : www.nicomatic.com



Echelle/Scale  
 3:1

a	19/05/08	H.T.		D.Z.
Ind	Date	Drawn	Checked	Approved

Désignation : **Harness CMM200 Pro series Male AWG26 Blue 500mm**

H205Snn(L)D6A500\_cl

Réf. catalogue / Catalogue Reference **H205Snn(L)D6A500**

Tolérance générale / General tolerance ±0.2 Page 1/1 A4