


## HBL2336 -- Twist-Lock Flanged Receptacle



2P3W, 20A 277V AC, L7-20R, White Nylon

### Product Specifications

<b>Product Type</b>	 <p style="text-align: center;"><b>Twist-Lock Devices</b></p>
<b>Product Item</b>	Flanged Receptacle
<b>Wiring Scheme</b>	2 Pole, 3 Wire Grounding
<b>Amperage</b>	20A
<b>Voltage</b>	277V AC
<b>NEMA Configuration</b>	L7-20R
<b>Item Style</b>	Standard
<b>Device Color</b>	White
<b>Horsepower</b>	2
<b>Terminal Retainer Material</b>	Clear polycarbonate
<b>Terminal Clamp Material</b>	.08" (2) steel-nickel plated
<b>Terminal Screw Material</b>	#10-32 Brass (white finish on neutral screw when used) Multi-drive
<b>Ground Screw Material</b>	#10-32 Brass (green finish) Multi-drive

<b>Body Holding Screw Material</b>	Steel, zinc plated Multi-drive
<b>Body Contact Carrier Material</b>	Natural White Nylon
<b>Contact Spring Material</b>	Brass
<b>Spring Binding Plate Material</b>	Brass
<b>Flanged Casing Material</b>	Natural White Nylon
<b>Mounting Screw Material</b>	Nickel-plated Brass Round head screws
<b>Ground Contact Material</b>	.031" (.8) Brass
<b>Ratings</b>	Molded into face.
<b>Catalog No.</b>	Ink marked on nylon casing.
<b>Dielectric Voltage Withstand</b>	2,000V minimum.
<b>Current Interrupting</b>	Certified for current interrupting at full rated current.
<b>Temperature Rise</b>	Max 30C temperature rise at full rated current after 50 cycles of overload at 150% of rated current at a power factor of .75.
<b>Terminal Accommodation</b>	20A #12 AWG
<b>Terminal Identification</b>	Terminals identified in accordance with UL 498 (X, Y, Z, White, Green)
<b>Flammability</b>	HB or better per UL 94 or CSA 22.2 No. 0.6
<b>Operating Temperatures</b>	Maximum Continuous 75 C Minimum -40 C (w/o impact)
<b>Listings</b>	FED SPEC UL/CSA
<b>Feature Info</b>	Nylon casing, back wired.
<b>Catalog Page</b>	<a href="#">Click here for catalog page B22</a>
<b>Brochures</b>	<a href="#">Click here for product brochure</a>
<b>Hubbellnet</b>	<a href="#">Click here for Hubbellnet</a>
<b>Catalog Section</b>	<a href="#">Click here for Section-B</a>
<b>UPC Number</b>	78358503794
<b>Weight in LBs</b>	0.25



NEMA  
Configuration

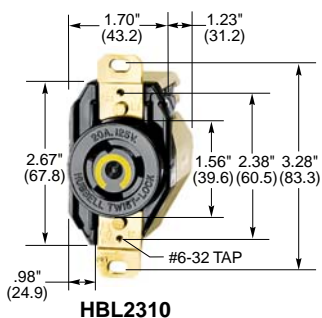


## TWIST-LOCK® Devices

### 2 Pole, 3 Wire Grounding

20 Ampere, 125, 250 Volts and 277 Volts AC

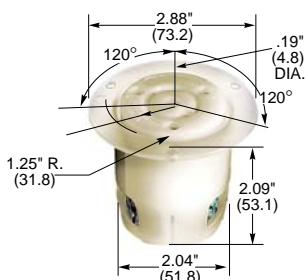
Receptacles, INSULGRIP® Connector Bodies, Flanged Devices and Plugs



**HBL2310**



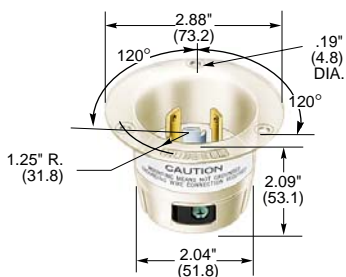
**HBL2313**



**HBL2316**



**HBL2311**



**HBL2315**



### Single Flush Receptacles, Back and Side Wired



NEMA L5-20R  
20A 125V  
UL/CSA  
1 HP



NEMA L6-20R  
20A 250V  
UL/CSA  
2 HP



NEMA L7-20R  
20A 277V AC  
UL/CSA  
2 HP

Description	Catalog Numbers		
Black nylon face.	<b>HBL2310</b>	<b>HBL2320</b>	<b>HBL2330</b>
Isolated ground, orange nylon face.	<b>IG2310</b>	<b>IG2320</b>	—
Corrosion resistant, yellow nylon face.	<b>HBL23CM10</b>	—	—

### Insulgrip Connector Bodies IP20 SUITABILITY

Description	Catalog Numbers		
Black and white nylon.	<b>HBL2313</b>	<b>HBL2323</b>	<b>HBL2333</b>
Corrosion resistant, yellow nylon.	<b>HBL23CM13</b>	<b>HBL23CM23</b>	—

Note: Cord clamp range .360"-.930" (9-24).

### Insulgrip Flanged Receptacles

Description	Catalog Numbers		
Nylon casing, back wired.	<b>HBL2316</b>	<b>HBL2326</b>	<b>HBL2336</b>



NEMA L5-20P  
20A 125V  
UL/CSA  
1 HP



NEMA L6-20P  
20A 250V  
UL/CSA  
2 HP



NEMA L7-20P  
20A 277V AC  
UL/CSA  
2 HP

### Insulgrip Plugs IP20 SUITABILITY

Description	Catalog Numbers		
Black and white nylon.	<b>HBL2311</b>	<b>HBL2321</b>	<b>HBL2331</b>
Corrosion resistant, yellow nylon.	<b>HBL23CM11</b>	<b>HBL23CM21</b>	—

Notes: Cord grip range .360"-.930" (9-24).  
See page B-73 for Add-A-Shroud™ kit.

### Insulgrip Flanged Inlets

Description	Catalog Numbers		
Nylon casing, back wired.	<b>HBL2315</b>	<b>HBL2325</b>	<b>HBL2335</b>

Notes: See pages B-68 and B-69 for accessories.  
See page B-63 for switched enclosure.  
For technical information see page B-83.  
HP ratings are AC only.  
Only receptacles and plugs are HP rated.