

Steel Sensing

Part# PRX+	4100	4400	4800
CONTACT FORM	FORM A	FORM A	FORM A
	SPST-NO	SPST	SPST
SWITCHING RATING			
VOLTS DC MAX	120	120	120
AMPS DC MAX	0.25	0.25	3.0
WATTS DC MAX	10	10	200
VOLTAGE HOLDOFF (DC) MIN.	200	200	250
INITIAL RESISTANCE (OHMS)	.15	.25	.50
OPERATING TEMP RANGE (°C)	-20 +100	-20 +100	-20 +100
D-MUST OPERATE (INCH)	0.250	0.190	0.375
D-MUST RELEASE (INCH)	0.310	0.400	0.750
WIRE COLOR/AWG	BLK/20	BLK/16	BLK/16

**STEEL
TARGET
(3.000"x
1.000"x.062")**

YES

YES

YES

**ACTUATOR
PART NO.**

STEEL
TARGET

STEEL
TARGET

STEEL
TARGET

NOTES:

Part Number **PRX+4800** Contact Form A Switch Configuration SPST Rev. C
Low-Profile Ferrous Metal Sensor

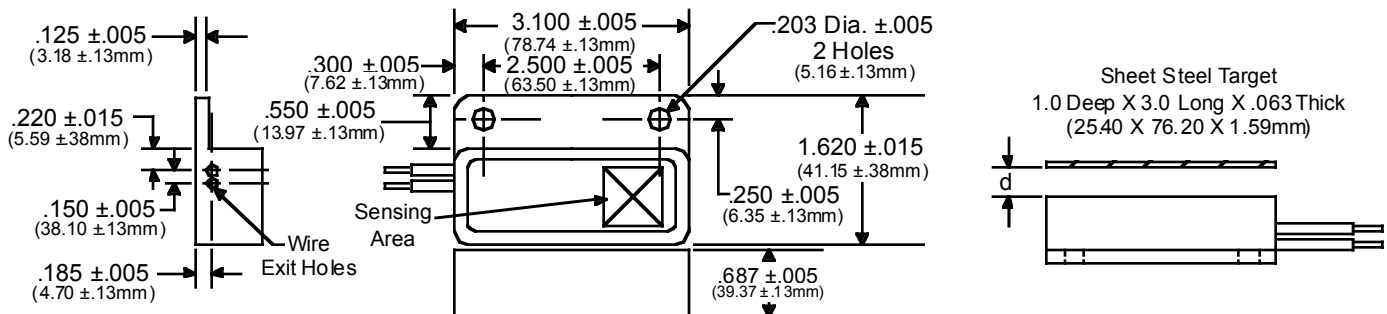
Features	Advantages
<ul style="list-style-type: none"> • Hermetically sealed contacts • Tungsten contacts • Zinc Plated Leachant Seal Steel housing • Non Physical contact activation 	<ul style="list-style-type: none"> • Extended operations in extreme environments • Not ESD sensitive • Custom sensitivity and configurations available • Component suitable for use in engine compartments in surface vehicle electrical systems of automobiles, boats, buses, RV's and trucks.

Electrical Specifications

Power		Watts - maximum	200
Voltage	Switching	VDC - maximum	50
	Breakdown	VDC - minimum	50
Current	Switching	Amp - maximum	3
	Carry	Amp - maximum	TBD
Resistance	Initial Contact Resistance	Ohm - maximum	1
	Insulation Resistance	Ohm - minimum	1 E11
Capacitance	Contact	pF - typical	1.1
Temperature	Operating	°C - maximum	+125
	Storage	°C	-40 to +200

Physical/Operational Specifications

Housing Volume	Excluding Connection	CC - nominal	40.8
External Connection	16 AWG	SAE J1128 Type GXL	XLPE
Must Operate	Distance (d)	Inches	.375
Must Release	Distance (d)	Inches	0.750
Operate Time	Including Bounce	mSeconds - maximum	3.00
Release Time	Including Bounce	mSeconds - maximum	1.00


Notes:

- (1) Specifications are not constant across entire magnetic range.
- (2) Customer must exercise care in handling and mounting to prevent damage to internal components and subsequent changes to sensor performance.
- (3) For information about performance, custom configuration (i.e. wire length or color; connectors; operational variation), or packaging contact our Sales department.
- (4) Information contained hereon is for informational purposes only and should not be deemed as accurate for a specific application. Consult factory for specific application information and/or latest revision.

Part Number **PRX+4800** Contact Form A Switch Configuration SPST Rev. C
Low-Profile Ferrous Metal Sensor

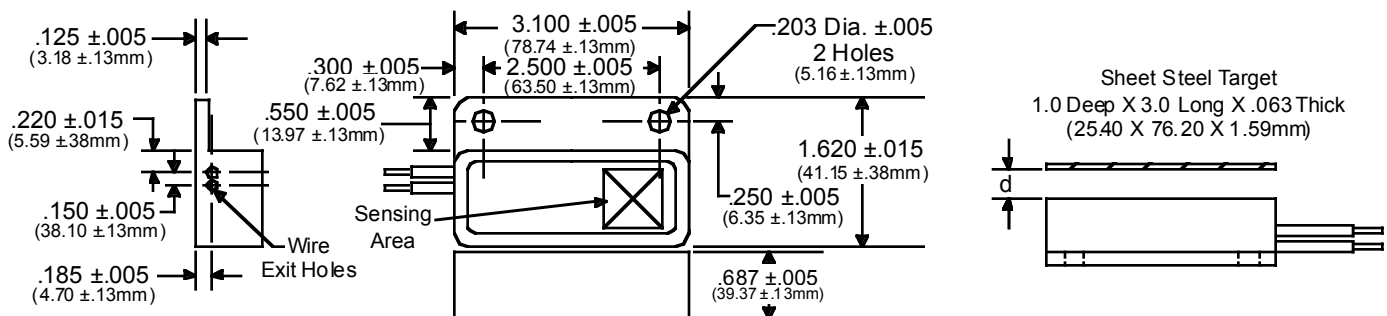
Features	Advantages
	<ul style="list-style-type: none"> • Can be mounted on ferrous metal

Electrical Specifications

Power		Watts - maximum	200
Voltage	Switching	VDC - maximum	50
	Breakdown	VDC - minimum	50
Current	Switching	Amp - maximum	3
	Carry	Amp - maximum	TBD
Resistance	Initial Contact Resistance	Ohm - maximum	1
	Insulation Resistance	Ohm - minimum	1 E11
Capacitance	Contact	pF - typical	1.1
Temperature	Operating	°C - maximum	+125
	Storage	°C	-40 to +200

Physical/Operational Specifications

Housing Volume	Excluding Connection	CC - nominal	40.8
External Connection	16 AWG	SAE J1128 Type GXL	XLPE
Must Operate	Distance (d)	Inches	.375
Must Release	Distance (d)	Inches	0.750
Operate Time	Including Bounce	mSeconds - maximum	3.00
Release Time	Including Bounce	mSeconds - maximum	1.00


Notes:

- (1) Specifications are not constant across entire magnetic range.
- (2) Customer must exercise care in handling and mounting to prevent damage to internal components and subsequent changes to sensor performance.
- (3) For information about performance, custom configuration (i.e. wire length or color; connectors; operational variation), or packaging contact our Sales department.
- (4) Information contained hereon is for informational purposes only and should not be deemed as accurate for a specific application. Consult factory for specific application information and/or latest revision.