



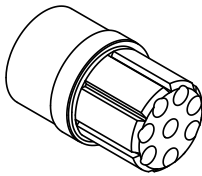
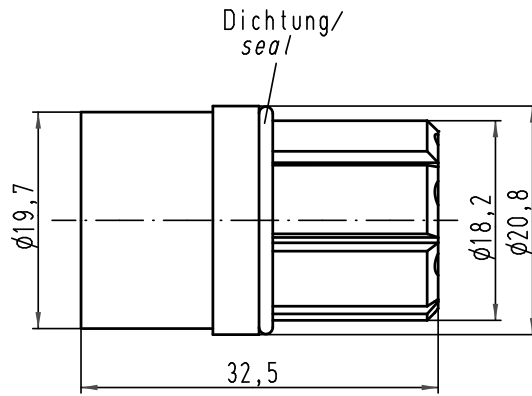
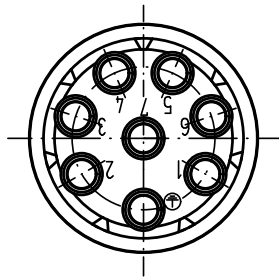
Product details



09 15 007 3001

Male insert, R 15

Series	R15
Number of contacts	7 poles + PE
Size of hood/housing	R15
Termination	Crimp termination
Insert material	Standard material
Contacts	Order separately
Hood material	Plastic
Electrical data	10 A 250 V 4 kV 3
RoHS compliant	Yes

Alle Rechte vorbehalten/ All rights reserved



 All Dimensions in mm Original Size DIN A 4			Techn. Character.			Nicht tolerierte Maß/Free size tolerances	
Mod.	Dat.	Name	Detail.	Dat.	Name	Maßstab/Scale	R 15-7-M-c Stifteinsatz/ male insert
413550	09.01.08	Ho	Insp.	24.02.93	PENNER		
413155	27.08.07	Ho	Stand.		HERB		
25592	22.03.99	PL	HARTING Electric GmbH & Co. KG D-32339 Espelkamp				TB 09 15 007 3001 Sub. TB 09 15 007 3001 v. 10.12.87