



Conforms to EN1088, EN292, EN60947-5-1, EN60204-1
UL and C-UL listed, BG approved

■ Actual Size



G

safety interlock switches



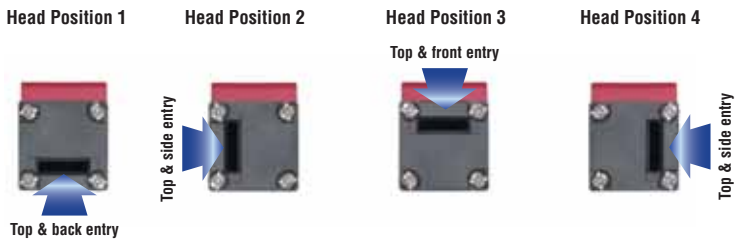
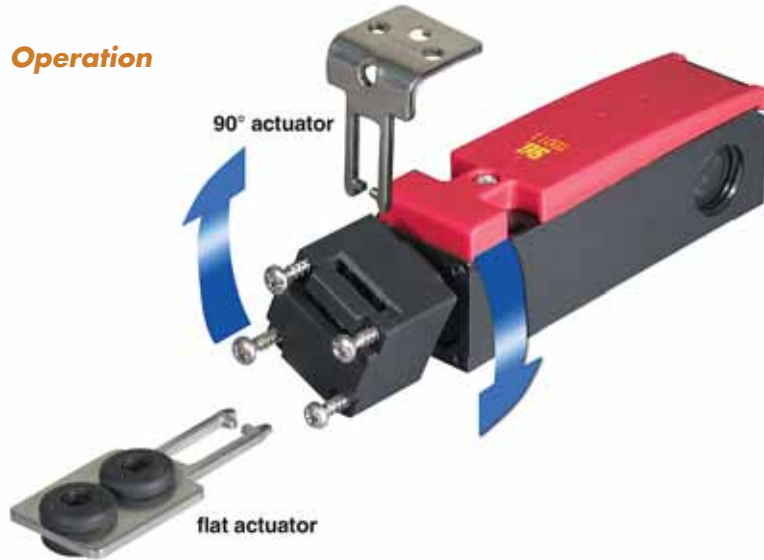
T2011

Universal Tongue-Operated Safety Interlock Switch

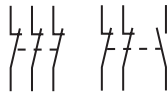
- Strong and versatile—the compact size of the strong, glass-filled thermoplastic housing allows this switch to be used in most applications.
- NEMA 6 (IP67) enclosure enables these switches to withstand water washdown cleaning.
- Rotatable head gives eight possible actuator entry points for versatile installation. A blanking plug is supplied for the unused entry.
- Long life—these switches, with their stainless steel actuators, are designed for a minimum of two million actuations.
- Available with three contact poles. Contact configurations include 2 N/C and 1 N/O or 3 N/C. These switches can support Dual Channel Safety Monitoring and Status Monitoring.
- An optional stainless steel guide is available for demanding applications.

- **Optional Slide Bolts**
- Allows easy installation of switch on machine guards
- Actuator included (order switch separately)
- Integral handle included
- Metal construction is suitable for demanding applications
- Yellow color for easy recognition

■ **Operation**



Contact Arrangements



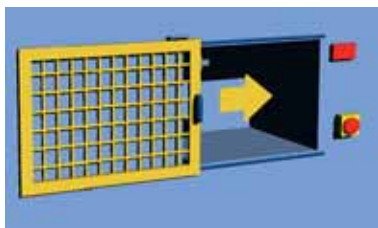
Alignment Guide

Optional stainless steel alignment guide aids actuator entry and is easily installed.

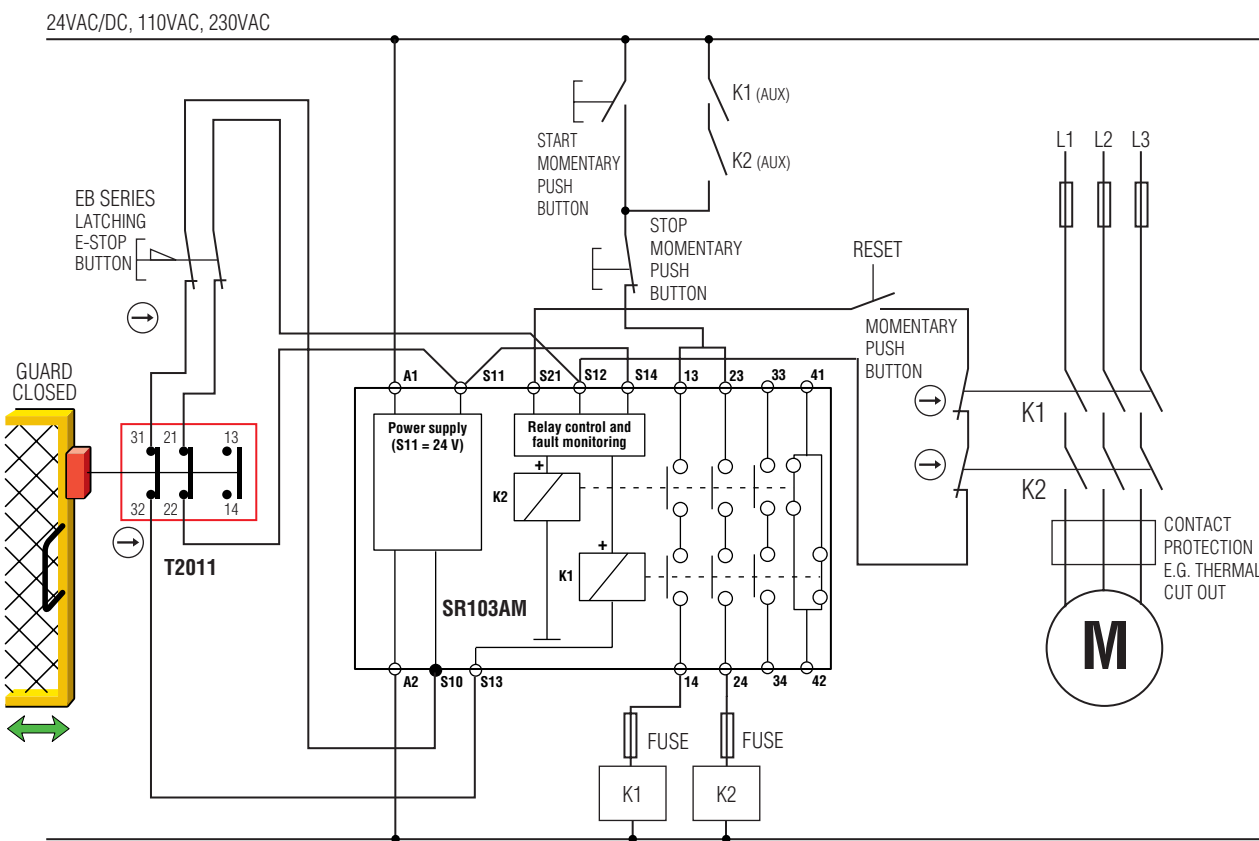


■ Applications

Typical applications are on sliding guard doors or swinging guard doors.



 For a full explanation of the circuit operating principle and fault detection, see "Common Circuit Examples" in the Safety Corner Section of our website at www.sti.com.



G
safety interlock switches

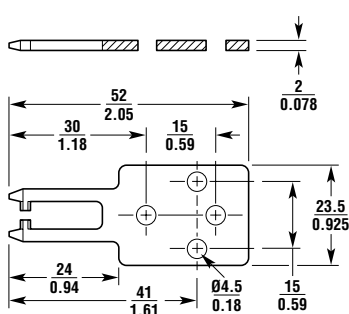
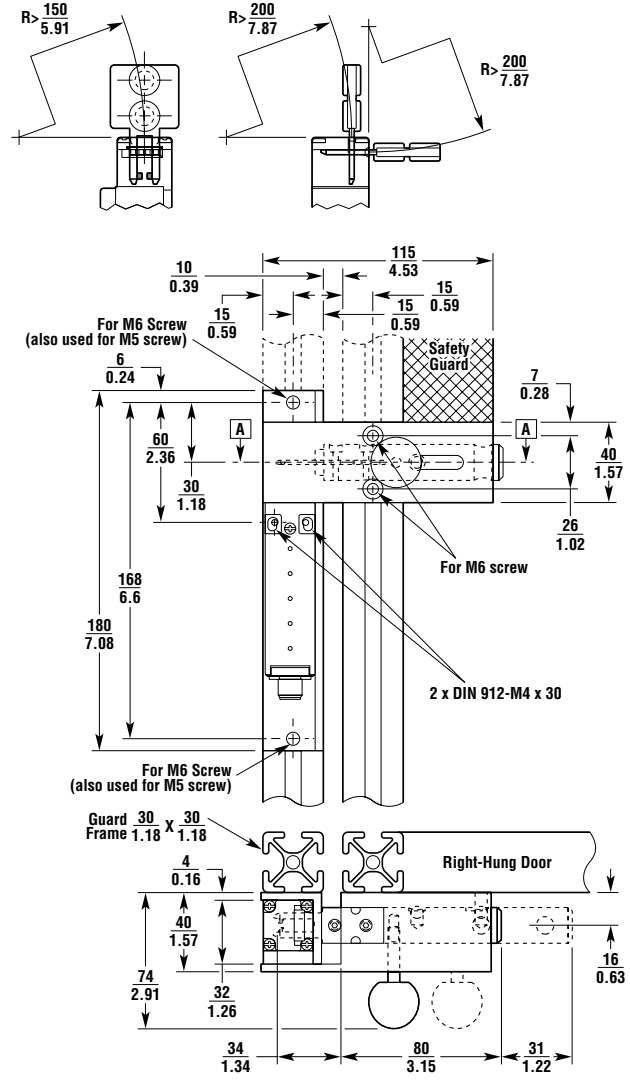
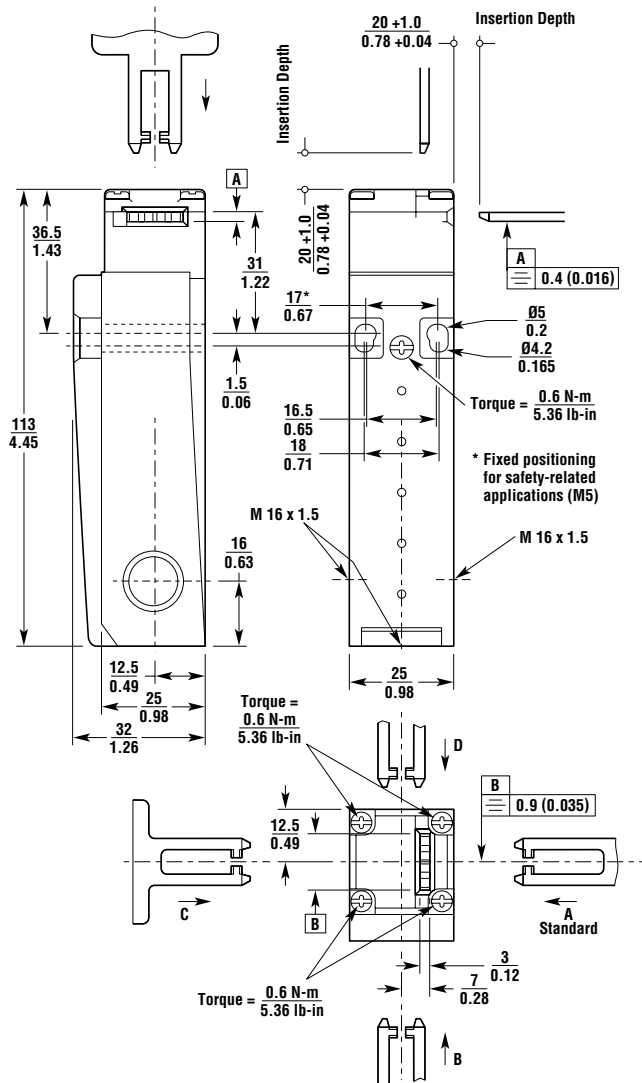
■ Specifications

Electrical	All Models
Contact Configurations:	2 N/C + 1 N/O, 3 N/C
Safety Contacts:	2 N/C or 3 N/C
Switching Ability	
AC:	230 V, 4 A
DC:	24 V, 4 A
Contact Material:	Silver alloy, gold flashed
Auxiliary Contacts:	1 N/O (T2011-021 models only)
Minimum Switching Voltage:	12 V at 10 mA
Minimum Switching Current:	1 mA at 24 V
Mechanical	
Mounting:	Any position
Mounting Hardware:	2 x M4 screws (not supplied)
Min Operating Radius:	150 to 200 mm based upon orientation of actuator to switch
Break Contact Min Force:	6 N (0.23 lb.)
Max Actuation Speed:	20 m/min.
Max Actuation Frequency:	7000 cycles/hour
Case Material:	Glass-fibre reinforced thermoplastic
Actuator Material:	Stainless steel
Wiring Entry:	3 x M16
Weight:	75 g (2.63 oz.)
Color:	Black with red lid
Mechanical Life:	1 x 10 ⁶ minimum
Environmental	
Protection:	IP67 (NEMA 6)
Operating Temperature:	-20 to 80°C (-4 to 176°F)
Cleaning:	Water washdown

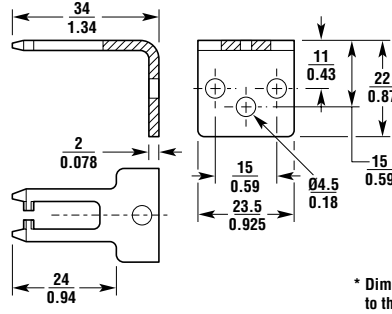
Specifications are subject to change without notice.

Note: The safety contacts of the STI switches are described as normally closed (N/C)—i.e., with the guard closed, actuator in place, and the machine able to be started.

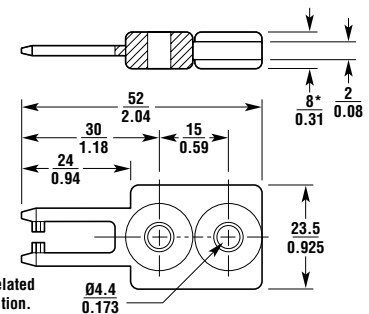
■ Dimensions — mm/in.



Flat Actuator



90-Degree Actuator



Flat Actuator w/Rubber Bushing

* Dimension 8 is related to the fitted condition.

G safety interlock switches

■ Ordering

T2011 90-DEGREE ACTUATOR	Contacts	Wiring Entry	Part No.
T2011-021SM	2 N/C + 1 N/O	3 x M16 + NPT adapter	44541-0010
T2011-030SM	3 N/C	3 x M16 + NPT adapter	44541-0020
T2011 FLAT ACTUATOR			
T2011-021TM	2 N/C + 1 N/O	3 x M16 + NPT adapter	44541-0110
T2011-030TM	3 N/C	3 x M16 + NPT adapter	44541-0120
T2011 FLAT ACTUATOR WITH RUBBER BUSHING			
T2011-021TRM	2 N/C + 1 N/O	3 x M16 + NPT adapter	44541-0210
T2011-030TRM	3 N/C	3 x M16 + NPT adapter	44542-0220
T2011 SWITCH ONLY (no actuators and no adapters included)			
T2011-021	2 N/C + 1 N/O	3 x M16	44541-2010
T2011-030	3 N/C	3 x M16	44541-2020
ACCESSORIES			
Spare Actuators			
SA40-S00 90-degree actuator			44540-0700
SA40-T10 flat actuator			44540-0710
SA40-TR20 flat actuator with rubber bushings			44540-0720
Stainless Steel Guide			
SM40-SG50 stainless steel guide			44540-0750
Slide Bolt			
SB40-M00 slide bolt left or right hand door with bracket			44540-8000
Mounting Bracket			
SB40-M10 right angle bracket only for mounting T2008/T2011 switches			44540-8010
Adapter			
SC12-M16A00 M16 to 1/2 in. NPT adapter			44512-0300

G

safety interlock switches