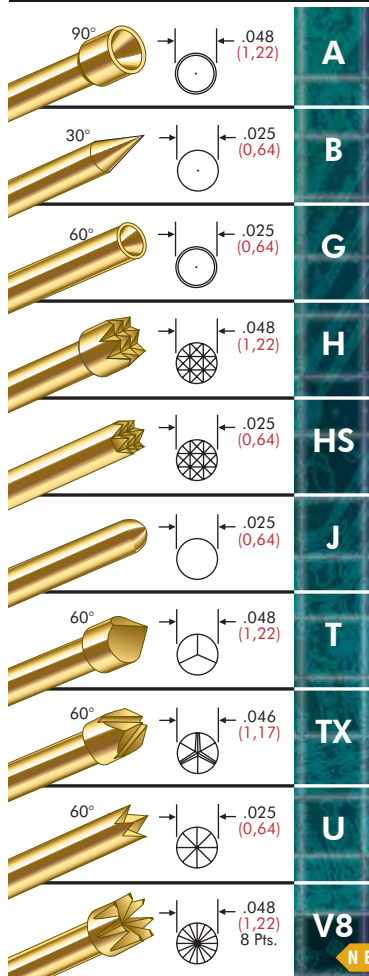


BeCu PLUNGER TIPS



PROBE SPECIFICATIONS

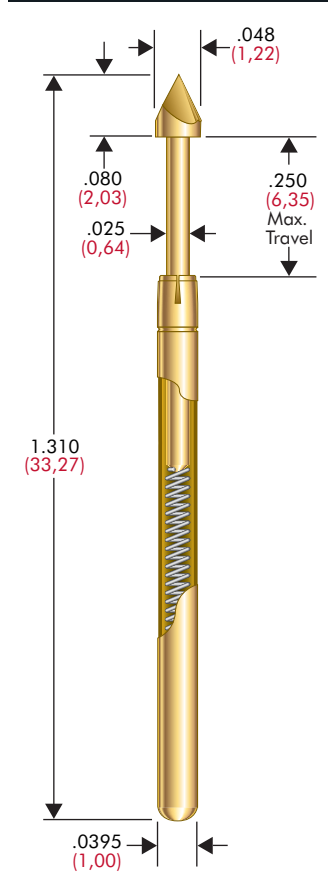
Minimum Centers: .075 (1,91)
 Current Rating: 3 amps continuous
 Spring Force: 5.0, 7.0 or 10.0 oz. @ .170 (4,32) travel
 Typical Resistance: <15 mΩ
 Working Travel: .170 (4,32)

Rated Force oz (gms)	Preload oz (gms)
5.0 (142)	2.0 (57)
7.0 (198)	2.9 (82)
10.0 (283)	3.3 (94)

MATERIALS

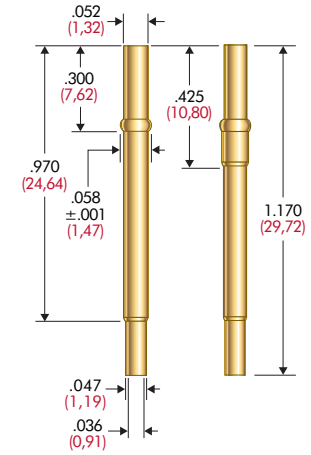
Barrel: G2
 Spring: Music wire, nickel plated
 Plunger: Full-hard beryllium copper or steel, gold plated over nickel
 Receptacle:
 High Performance Series (R or RX): Nickel/silver, gold plated; gold plated post
 Standard Series (RS or RSX): Nickel/silver, gold plated post

ICT-075 PROBE



R-075 Receptacle

R Series RX Series

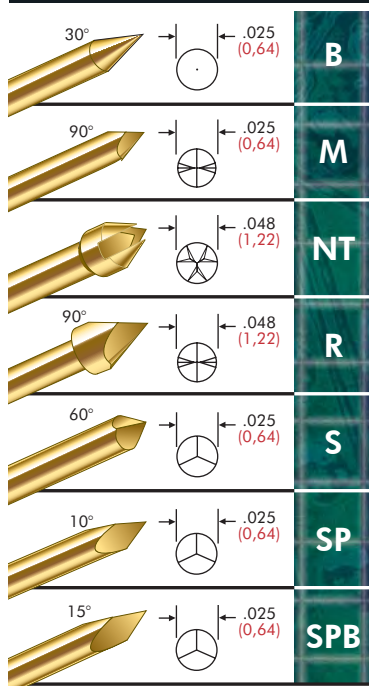


Drill Size: 1,45mm
 Mounting Hole Size: .055/.057 (1,40/1,45)
 Recommended Wire: 24-28 gage

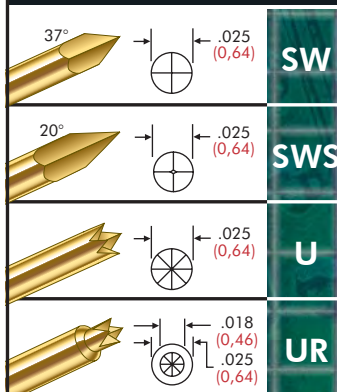
RECEPTACLE OPTIONS

Part Number	Style	Receptacle Length	Probe/Receptacle Combined Length	Comments
R-075-CR	Crimp	1.170 (29,72)	1.500 (38,10)	—
R-075-SC	Solder Cup	1.170 (29,72)	1.500 (38,10)	—
R-075-RP	Round Post	1.545 (39,24)	1.875 (47,63)	.375 post length - .025 dia.
R-075-WW-429	Wire Wrap	1.599 (40,61)	1.929 (49,00)	.429 post length - .025 sq.
R-075-WW-694	Wire Wrap	1.864 (47,35)	2.194 (55,73)	.694 post length - .025 sq.
R-075-WW-1.044	Wire Wrap	2.214 (56,24)	2.544 (64,62)	1.044 post length - .025 sq.

STEEL PLUNGER TIPS



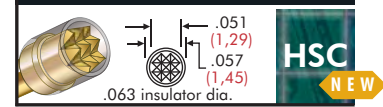
STEEL PLUNGER TIPS



STEEL PLUNGER TIPS

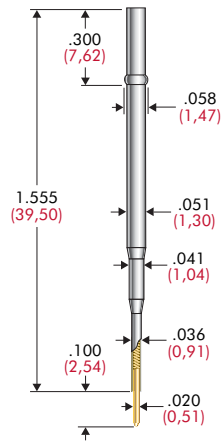


INSULATED PLUNGER TIP*



* Available in beryllium copper only

**R-075-J-DE
Wireless Receptacle**



Drill Size: 1,45mm
Mounting Hole Size:
.055/.057 (1,40/1,45)

For more information,
see page 25.

PROBE SPECIFICATIONS

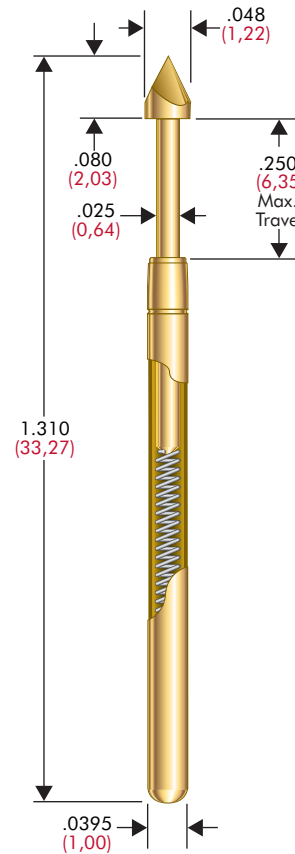
Minimum Centers: .075 (1,91)
Current Rating: 3 amps
continuous
Spring Force: 3.0, 5.0, 7.0
or 10.0 oz. @ .170 (4,32)
travel
Typical Resistance: <25 mΩ
Working Travel: .170 (4,32)

Rated Force oz (gms)	Preload oz (gms)
3.0 (85)	1.2 (34)
5.0 (142)	2.0 (57)
7.0 (198)	2.9 (82)
10.0 (283)	3.3 (94)

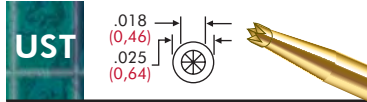
MATERIALS

Barrel: G2
Spring: Music wire, nickel plated
Plunger: Full-hard beryllium
copper or steel, gold plated
over nickel
Receptacle:
High Performance Series
(R or RX): Nickel/silver, gold
plated; gold plated post
Standard Series (RS or RSX):
Nickel/silver, gold plated
post

S-075 PROBE



STEEL PLUNGER TIP



NOTE: The above
plunger tip is only
available in the S-075
series. All plunger tips
offered in the ICT-075
series are also available
in the S-075 series.

HOW TO ORDER:

SPRING CONTACT PROBE

RECEPTACLE

ICT	075	R	5.0	G	S
SERIES	SIZE	TIP STYLE	SPRING FORCE	PLATING OPTION	STEEL PLUNGER OPTION

SERIES:
ICT: High Performance
S: Standard Performance,
(No Bifurcated Beam)
CRIMPING PLIERS: CPR075
INSERTION TOOL: RTR075

SPRING FORCE:
3.0 oz. @ .170 (4,32) travel*
5.0 oz. @ .170 (4,32) travel
7.0 oz. @ .170 (4,32) travel
10.0 oz. @ .170 (4,32) travel
* S-075 Series only

R	075	WW	429
SERIES	SIZE	TERMINATION	POST LENGTH

SERIES:
R: High Performance
RX: Improved Pointing Accuracy,
High Performance
RS: Standard Performance
RSX: Improved Pointing Accuracy,
Standard Performance

TERMINATIONS:
CR: Crimp
SC: Solder Cup
RP: Round Post
WW: Wire Wrap
POST LENGTH:
WW: 429, 694
or 1.044

View updates of this information at www.idinet.com

Specifications subject to change without notice. Dimensions in inches (millimeters)