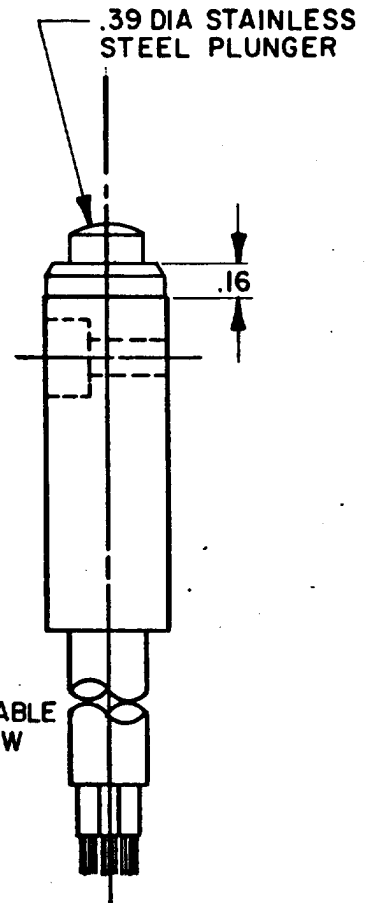
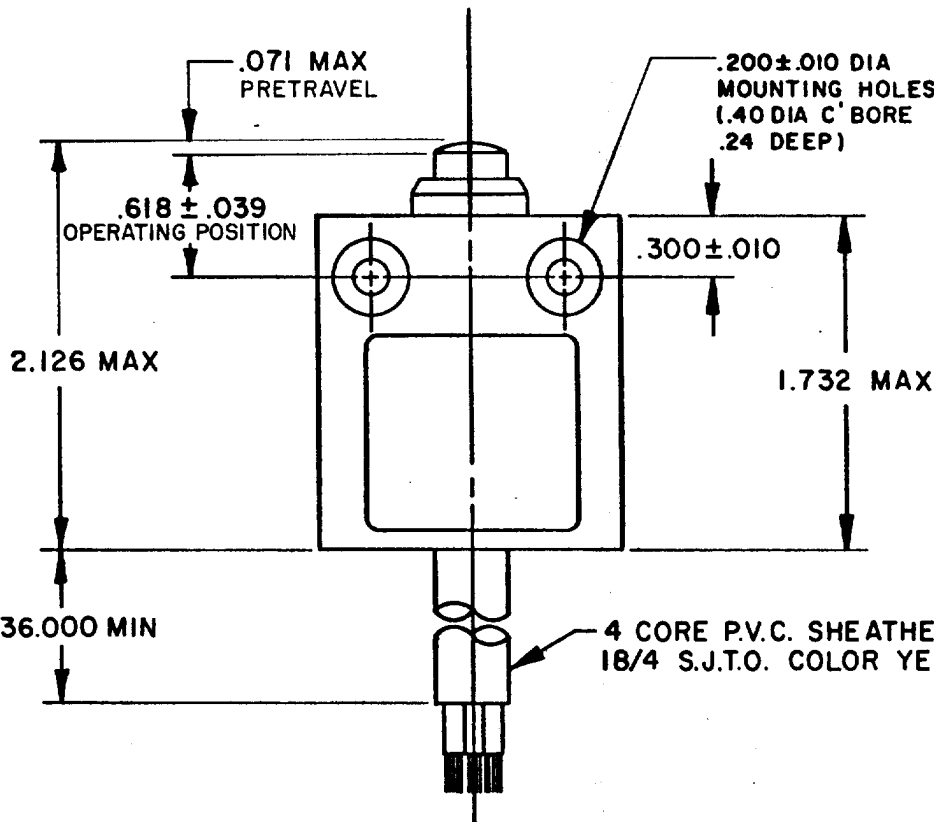
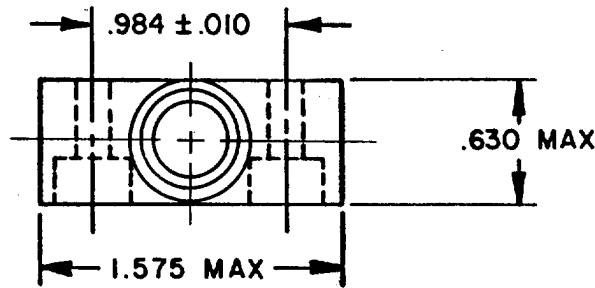


**MICRO SWITCH**

FREEPORT ILLINOIS, U.S.A  
 A DIVISION OF HONEYWELL INC.  
 FED. MFG. CODE 91929

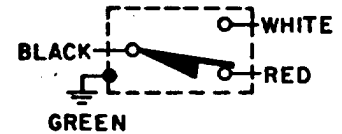
**MINIATURE PRECISION  
 LIMIT SWITCH**

**914CEI-3G**



**NOTES**

- 1 - ZINC HOUSING FINISHED WITH GRAY PAINT
- 2 - BIFURCATED GOLD CONTACT BASIC SWITCH



**CIRCUIT DIAGRAM**

THIS DRAWING COVERS A PROPRIETARY ITEM AND IS THE PROPERTY OF MICRO SWITCH, A DIVISION OF HONEYWELL. THIS DRAWING IS NOT TO BE COPIED OR USED WITHOUT THE APPROVAL OF MICRO SWITCH.

THIRD ANGLE PROJECTION

**CHARACTERISTICS**

OPERATING FORCE - - - - 2.7 LB MAX  
 RELEASE FORCE - - - - 1.0 LB MIN  
 DIFFERENTIAL TRAVEL - - - .004 MAX  
 OVERTRAVEL - - - - .118 MIN

**ELECTRICAL DATA**

CONTACT ARRANGEMENT  
 S P D T

UND. LAB. INC. LISTED  
 21 MA, 24 VDC

SCALE FULL

DO NOT SCALE PRINT

UNLESS OTHERWISE SPECIFIED TOLERANCES ARE

ONE PLACE (.0) ± .030  
 TWO PLACE (.00) ± .015  
 THREE PLACE (.000) ± .005  
 ANGLES ±

WEIGHT

914CEI-3G

M

DRAWING NUMBER

ISSUE

REPLACES 914CE46-3

RELEASE NO. PR-16944

CHECK

CHECK 16 DEC 88

CHECK TSK

MAM 14 DEC 88

FO-52848-8

DRAWN