

Switched Rack PDU

Rack PDU, Switched, 1U, 20A, 120V, (8)5-20



APC Switched Rack PDU , Input: 120V , Input Connections: NEMA L5-20P , Cord Length: 12 feet (3.66 meters) , Output: 120V , Output Connections: NEMA 5-20R

Includes: Cord retention bracket(s), Horizontal mounting brackets, Installation guide, User Manual

Standard Lead Time: Usually in Stock



AP7901 Features

Remote Current
Monitoring
Power Sequencing
Horizontal mounting
capability

Output

Nominal Output Voltage	120V
Maximum Total Current Draw per Phase	20A
Output Connections	(8) NEMA 5-20R



Input

Nominal Input Voltage	120V
Input Frequency	50/60 Hz
Regulatory Derated Input Current (North America)	16A
Input Connections	NEMA L5-20P
Cord Length	3.66 meters
Number of Power Cords	1
Maximum Input Current per phase	20A
Load Capacity	2400 VA



Physical

Net Weight	2.27 KG
Maximum Height	44.00 mm
Maximum Width	445.00 mm
Maximum Depth	108.00 mm
Shipping Weight	3.45 KG
Shipping Height	70.00 mm
Shipping Width	470.00 mm
Shipping Depth	343.00 mm
Color	Black

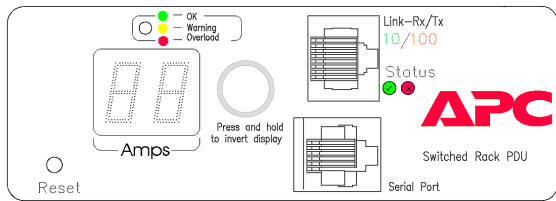
Environmental

Operating Environment	0 - 45 °C
Operating Relative Humidity	0%
Operating Elevation	0-3000 meters

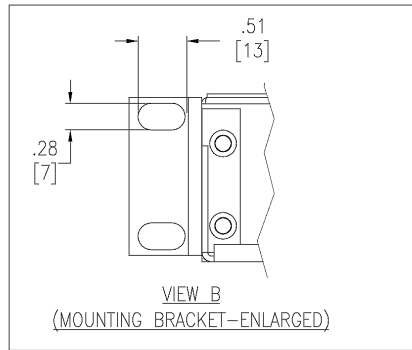
Storage Temperature	-25 - 65 °C
Storage Relative Humidity	0%
Storage Elevation	0-15000 meters

Conformance

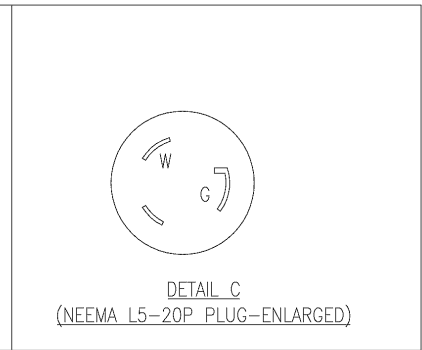
Regulatory Approvals	cUL Listed,CSA,FCC Part 15 Class A,ICES-003,Industry Canada,UL 60950,UL Listed
Standard Warranty	2 years repair or replace
ROHS/WEEE Compliance	RoHS 7b Exemption



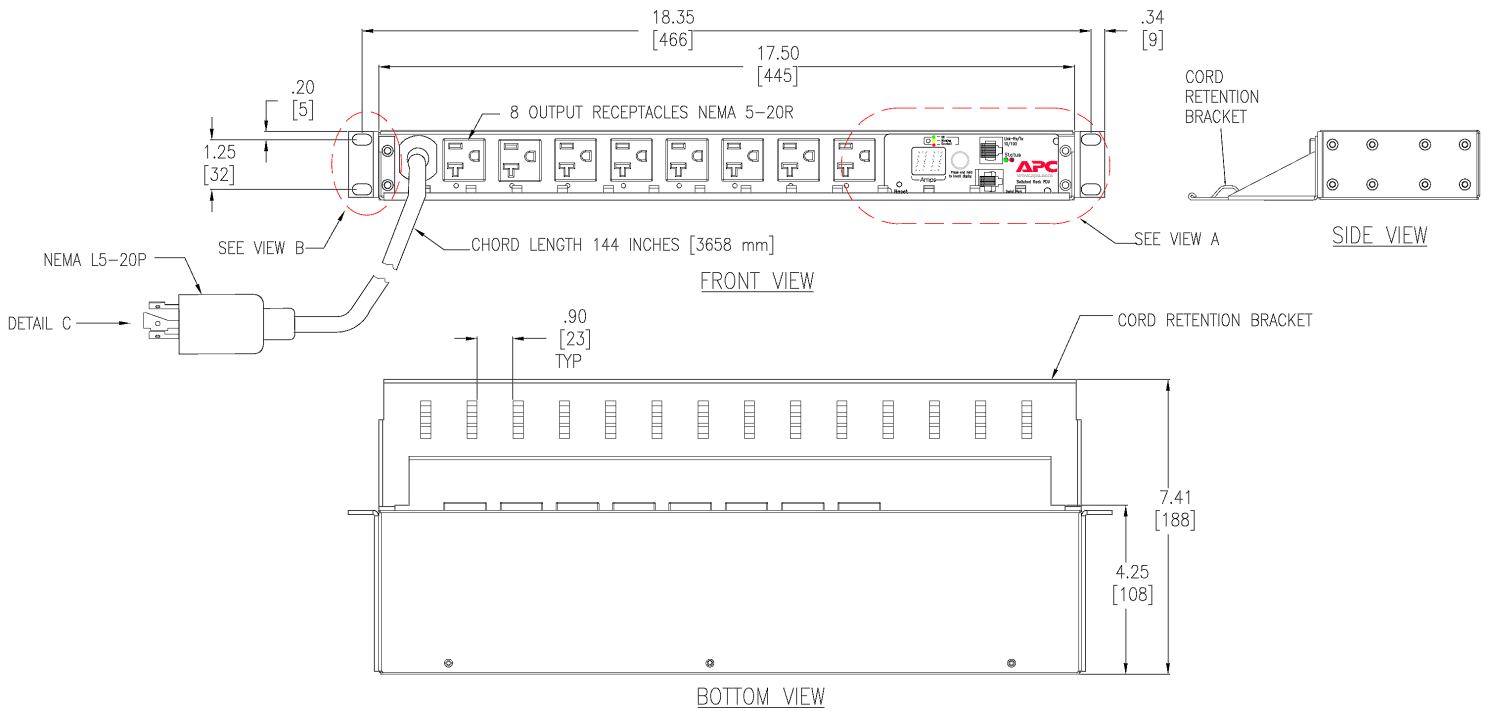
DETAIL A
(ENLARGED-DISPLAY INTERFACE)



VIEW B
(MOUNTING BRACKET-ENLARGED)



DETAIL C
(NEMA L5-20P PLUG-ENLARGED)



- NOTES:
1. ALL DIMENSIONS ARE IN INCHES [MILLIMETERS].
 2. NET WEIGHT IS 5 LBS [2.3 kg]
 3. INSTALLATION MUST COMPLY WITH ALL APPLICABLE NATIONAL AND LOCAL CODES.

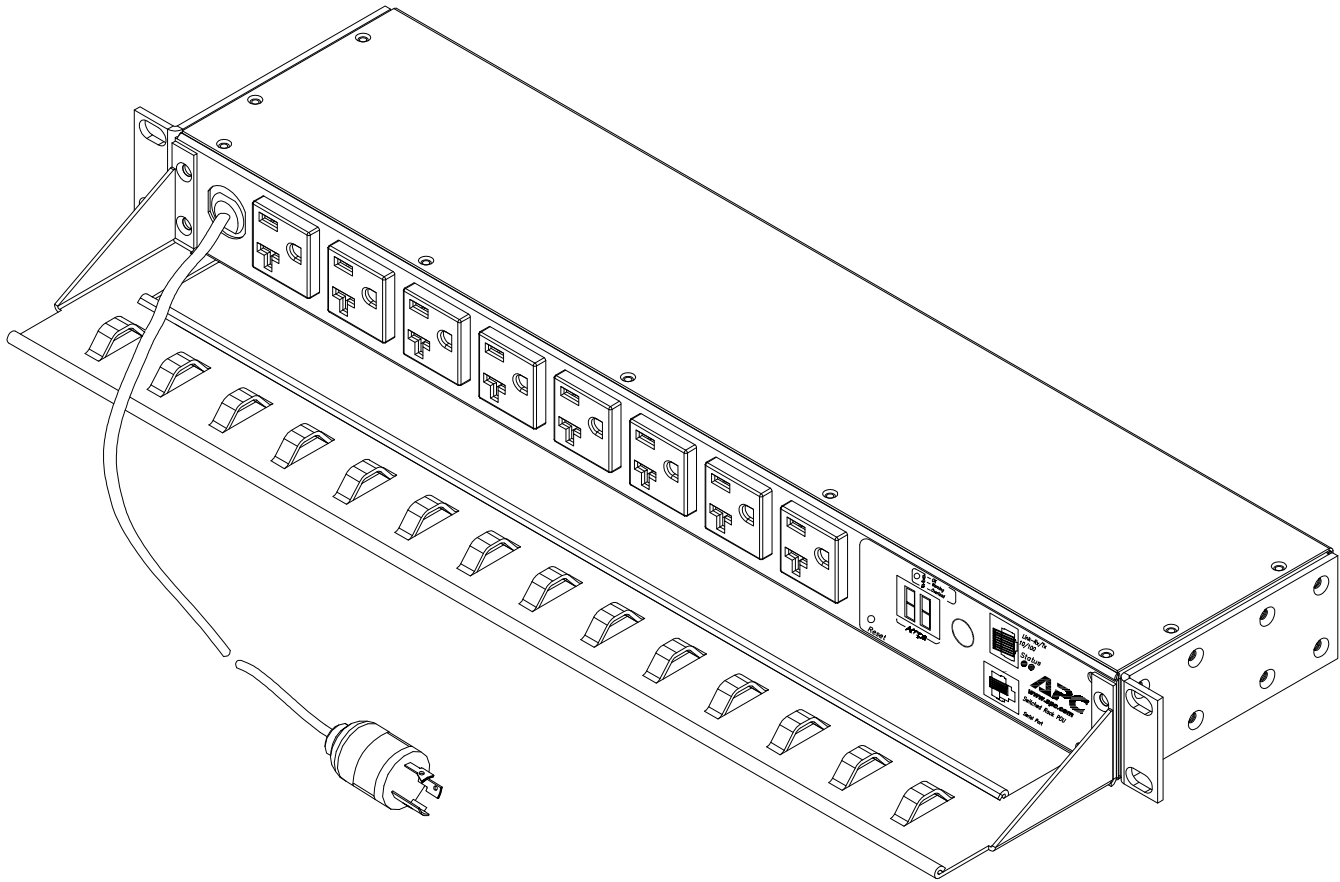
THIS DRAWING AND SPECIFICATIONS HEREIN ARE THE PROPERTY OF AMERICAN POWER CONVERSION AND SHALL NOT BE COPIED, REPRODUCED OR USED IN WHOLE OR IN PART, AS THE BASIS FOR THE MANUFACTURE OR SALE OF ITEMS WITHOUT WRITTEN PERMISSION FROM APC. THIS DRAWING IS BASED UPON LATEST AVAILABLE INFORMATION AND IS SUBJECT TO CHANGE WITHOUT NOTICE.

TITLE: RACK PDU, SWITCHED
1U, 20A, 120V, INPUT: NEMA L5-20P
OUTPUT: (8) NEMA 5-20R
MAIN MECHANICAL
PROJECT: SUBMITTAL DRAWINGS SHEET 1 OF 2

DWG NO: AP7901-MM1
REV: 1
DRAWN BY: JAYAPRAKASH 09/26/05
CHECKED BY: T.HORSTMANN 09/26/05
ENGINEER: J.RINGS/ E.SILVA 09/26/05



ISOMETRIC VIEW



THIS DRAWING AND SPECIFICATIONS HEREIN ARE THE PROPERTY OF AMERICAN POWER CONVERSION AND SHALL NOT BE COPIED, REPRODUCED OR USED IN WHOLE OR IN PART, AS THE BASIS FOR THE MANUFACTURE OR SALE OF ITEMS WITHOUT WRITTEN PERMISSION FROM APC. THIS DRAWING IS BASED UPON LATEST AVAILABLE INFORMATION AND IS SUBJECT TO CHANGE WITHOUT NOTICE.

TITLE: RACK PDU, SWITCHED
 1U, 20A, 120V, INPUT: NEMA L5-20P
 OUTPUT: (8)NEMA 5-20R
 ISOMETRICVIEW
 PROJECT: SUBMITTAL DRAWINGS SHEET 2 OF 2

DWG NO: AP7901-MM2 REV. 1
 DRAWN BY: JAYAPRAKASH
 CHECKED BY: T.HORSTMANN
 ENGINEER: J.RING/ E.SILVA





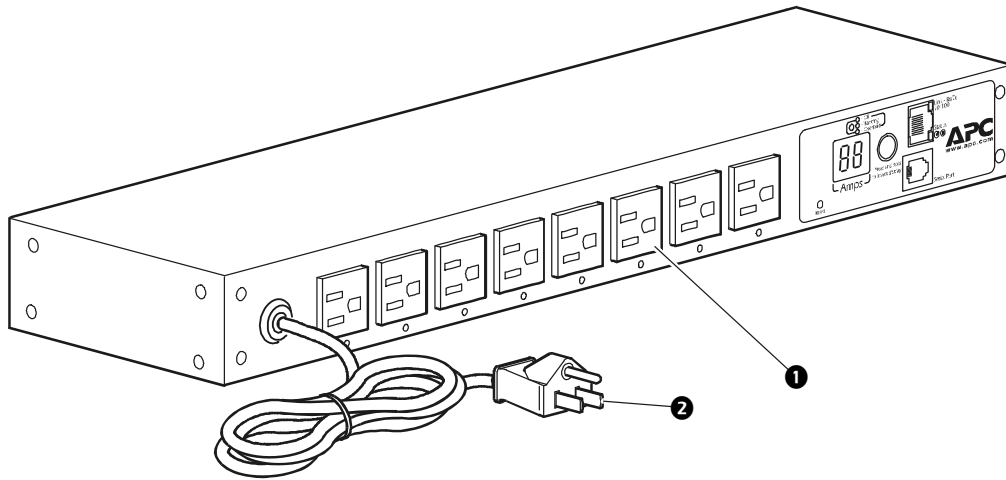
by Schneider Electric

Switched Rack PDU

Overview

The American Power Conversion® (APC) Switched Rack PDU is a stand-alone, network-manageable device that allows programmable control of eight power outlets. It requires only one U of rack space; it has built-in network connectivity; and, all user interfaces are on the front of the PDU.

Front view—AP7900



No.	Item	Description/Function
1	Outlets	<p>The outlets connect the PDU to equipment in your rack or enclosure. Each outlet allows independent control of the connected equipment, and provides 24 independent Outlet User accounts.</p> <p>Each PDU has eight outlets: AP7900: NEMA 5-15R (shown) AP7901: NEMA 5-20R</p>
2	Power Cord	<p>The power cord connects the PDU to one power source. The cord is located on the front of the PDU for easier mounting and user access.</p> <p>The 12-foot cord has one of the following plugs: AP7900: NEMA 5-15P (shown) AP7901: NEMA L5-20P</p>

Specifications

AP7900/AP7901

	AP7900	AP7901
Electrical		
Input connectors	100–120 VAC, 12 A NEMA 5-15P plug	100–120 VAC, 16 A NEMA L5-20P plug
Output connectors	Eight NEMA 5-15R outlets	Eight NEMA 5-20R outlets
Physical		
Size (h × w × d)	1.73 × 17.50 × 4.25 in (4.45 × 44.45 × 10.80 cm)	
Weight	5 lb (2.26 kg)	
Shipping weight	7.6 lb (3.4 kg)	
Environmental		
Elevation (above MSL):		
Operating:	0 to 10,000 ft (0 to 3000 m)	
Storage:	0 to 50,000 ft (0 to 15 000 m)	
Temperature:		
Operating:	23 to 113° F (–5 to 45° C)	
Storage:	–13 to 149° F (–25 to 65° C)	
Humidity:		
Operating:	5 to 95%, non-condensing	
Storage:	5 to 95%, non-condensing	
Approvals		
EMC Verification	FCC Part 15 Class A, ICES-003 Class A, VCCI Class A	
Safety Verification	UL/cUL Listed to UL 60950	UL/cUL Listed to UL 60950



© 2008 American Power Conversion. All rights reserved. All APC trademarks are property of American Power Conversion. Other trademarks are property of their respective owners.