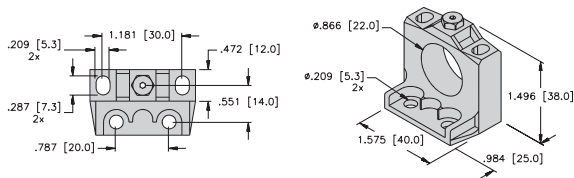


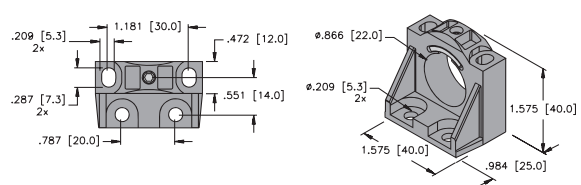
Inductive Sensors



Housing Style - Rectangular	Part Number	ID Number	Features	Embeddable	Sensing Range (mm)	Output	
CK40 - Embeddable/Nonembeddable, minifast® Connector 	Bi15U-CK40-ADZ30X2-B1131 W/BS 2.1	M4280090	<i>Uprox</i>	•	15	2-Wire AC/DC Short-Circuit Protected	
	Ni25U-CK40-ADZ30X2-B1131 W/BS 2.1	M4280290	<i>Uprox</i>		25		
	Ni35U-CK40-ADZ30X2-B1131 W/BS 4	M4280410	<i>Uprox</i>		35		
	Bi15-CK40-ADZ30X2-B1131/S34 W/BS 2.1	M4244090		WFI	•	15	2-Wire AC/DC Short-Circuit Protected
	Bi15-CK40-AZ3X2-B1131 W/BS 2.1	M1335091			•	15	2-Wire AC/DC
	Ni20-CK40-AZ3X2-B1131 W/BS 2.1	M1335291				20	
CK40 - Embeddable/Nonembeddable, microfast® Connector 	Bi15U-CK40-ADZ30X2-B3131 W/BS 2.1	M4280091	<i>Uprox</i>	•	15	2-Wire AC/DC Short-Circuit Protected	
	Ni25U-CK40-ADZ30X2-B3131 W/BS 2.1	M4280291	<i>Uprox</i>		25		
	Ni35U-CK40-ADZ30X2-B3131 W/BS 4	M4280430	<i>Uprox</i>		35		
	Bi15-CK40-ADZ30X2-B3131/S34 W/BS 2.1	M4244290		WFI	•	15	2-Wire AC/DC Short-Circuit Protected
	Bi15-CK40-AZ3X2-B3131 W/BS 2.1	M1335095			•	15	2-Wire AC/DC
	Ni20-CK40-AZ3X2-B3131 W/BS 2.1	M1335290				20	



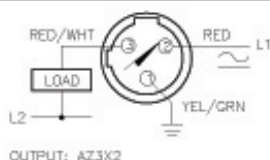
BS 2.1 Mounting Bracket



BS 4 Mounting Bracket

Voltage	Switching Freq. (Hz)	Operating Current (mA)	Operating Temp. (°C)	Protection	Housing	Front Cap/Face	Power LED	Output LED	Mating Cord, Cable Length/Jacket	Wiring Diagram #	Wiring Diagrams
10-300 VDC 20-250 VAC	60	≤400/300	-30 to +85	IP 67	PBT	PBT	GN	YE	RKM 30-*M	1	<p>Diagram 1</p> <p>Diagram 2</p>
	60	≤400/300	-30 to +85	IP 67	PBT	PBT	GN	YE	RKM 30-*M	1	
	60	≤400/300	-30 to +85	IP 67	PBT	PBT	GN	YE	RKM 30-*M	1	
10-300 VDC 20-250 VAC	30	≤400/300	-25 to +70	IP 67	PBT	PBT	GN	YE	RKM 30-*M	1	
	20	≤400/300	-25 to +70	IP 67	PBT	PBT	GN	YE	RKM 30-*M	1	
10-300 VDC 20-250 VAC	20	≤400/300	-25 to +70	IP 67	PBT	PBT	GN	YE	RKM 30-*M	1	
	20	≤400/300	-25 to +70	IP 67	PBT	PBT	GN	YE	RKM 30-*M	1	
10-300 VDC 20-250 VAC	60	≤400/300	-30 to +85	IP 67	PBT	PBT	GN	YE	KB 3T-*	2	
	60	≤400/300	-30 to +85	IP 67	PBT	PBT	GN	YE	KB 3T-*	2	
	60	≤400/300	-30 to +85	IP 67	PBT	PBT	GN	YE	KB 3T-*	2	
10-300 VDC 20-250 VAC	30	≤400/300	-25 to +70	IP 67	PBT	PBT	GN	YE	KB 3T-*	2	
10-300 VDC 20-250 VAC	20	≤400/300	-25 to +70	IP 67	PBT	PBT	GN	YE	KB 3T-*	2	
	20	≤400/300	-25 to +70	IP 67	PBT	PBT	GN	YE	KB 3T-*	2	

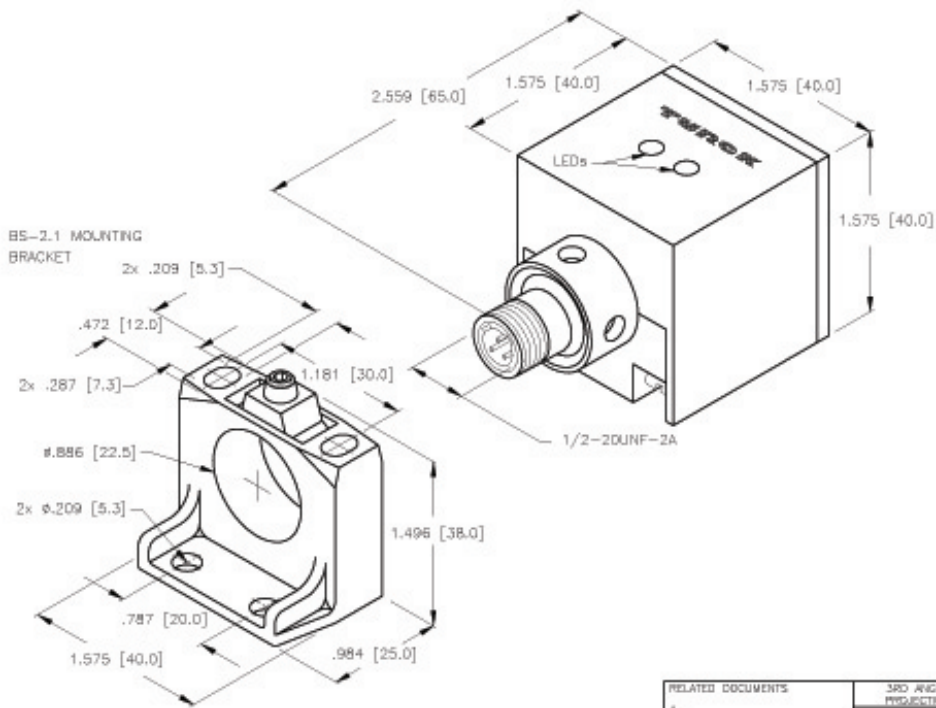
WIRING DIAGRAM



WARNING: NO SHORT-CIRCUIT PROTECTION
ALWAYS WIRE A LOAD IN SERIES WITH THE SENSOR.

SPECIFICATIONS

OPERATING VOLTAGE	20-250 VAC/10-300 VDC
LINE FREQUENCY	40-60 Hz
DIFFERENTIAL TRAVEL (HYSTERESIS)	3-15% (5% TYPICAL)
VOLTAGE DROP ACROSS CONDUCTING SENSOR	≤ 7.0 V at 500 mA
OUTPUT FUNCTION	NORMALLY OPEN 2-WIRE, AC/DC, SELF-CONTAINED
SHORT-CIRCUIT PROTECTED	NO
CONTINUOUS LOAD CURRENT	≤ 400 mA AC/≤ 300 mA DC
MAX. OFF-STATE CURRENT	≤ 1.7 mA
MAX. LOAD CURRENT	≥ 5.0 mA
INRUSH CURRENT	≤ 8.0 A (≤ 10 ms/5 Hz)
TIME DELAY BEFORE AVAILABILITY	≤ 80 ms
POWER-ON EFFECT PROTECTION	INCORPORATED
PROTECTION AGAINST TRANSIENTS	5 kV, 10 ms, 10 kΩ
OPERATING TEMPERATURE	-25°C to +70°C (-13°F to +158°F)
ENCLOSURE	MEETS NEMA 1, 3, 4, 6, 13 AND IEC IP67
SHOCK	30 g, 11 ms
VIBRATION	55 Hz, 1 mm AMPLITUDE (IN ALL 3 PLANES)
LED FUNCTION	GREEN: POWER ON RED: OUTPUT ENERGIZED
RATED OPERATING DISTANCE(Sn)	20 mm = .787" (NOMINAL)
SWITCHING FREQUENCY	20 Hz
MIN. REPEAT ACCURACY	≤ 2%
EMBEDDABLE (SHIELDED)	NO
MATING PLUGS/CABLES	3-PIN 'MICROFAST' CONSTRUCTION



SOURCE DRAWING - FOR REFERENCE ONLY

RELATED DOCUMENTS 1. 2. 3. 4.	3RD ANGLE PROJECTION 	THIS DRAWING IS PROPERTY OF TURCK INC. USE OF THIS DOCUMENT WITHOUT WRITTEN PERMISSION IS PROHIBITED.	TURCK INC High Technology Sensors and Automation Controls	
MATERIAL PBT-GF30-VO PLASTIC HOUSING	TOLERANCES UNLESS OTHERWISE SPECIFIED .X ± 0.02 .XX ± 0.01 .XXX ± 0.005 ANGLES ± 1° ALL MILLIMETER DIMENSIONS ARE REFERENCE ONLY	DRAWN RDS USDR JR	DATE 02/24/05 SCALE NONE	DESCRIPTION NI20-CK40-AZ3X2-B3131 W/BS 2.1
FINISH	UNIT OF MEASUREMENT INCH [MILLIMETER]	IDENTIFICATION NO. M1335290		REV A
A DRAWING RELEASE	RDS 02/24/05	DO NOT SCALE THIS DRAWING		FILE: M1335290 SHEET 1 OF 1
REV DESCRIPTION	BY DATE EDO NO.			